



325 COMMERCE DRIVE
 MT VERNON, OH 43050
 800-253-8236

SPECIFICATION DATA SHEET

DATE: 5-28-13 PAGE 1
 PREPARED BY: RL

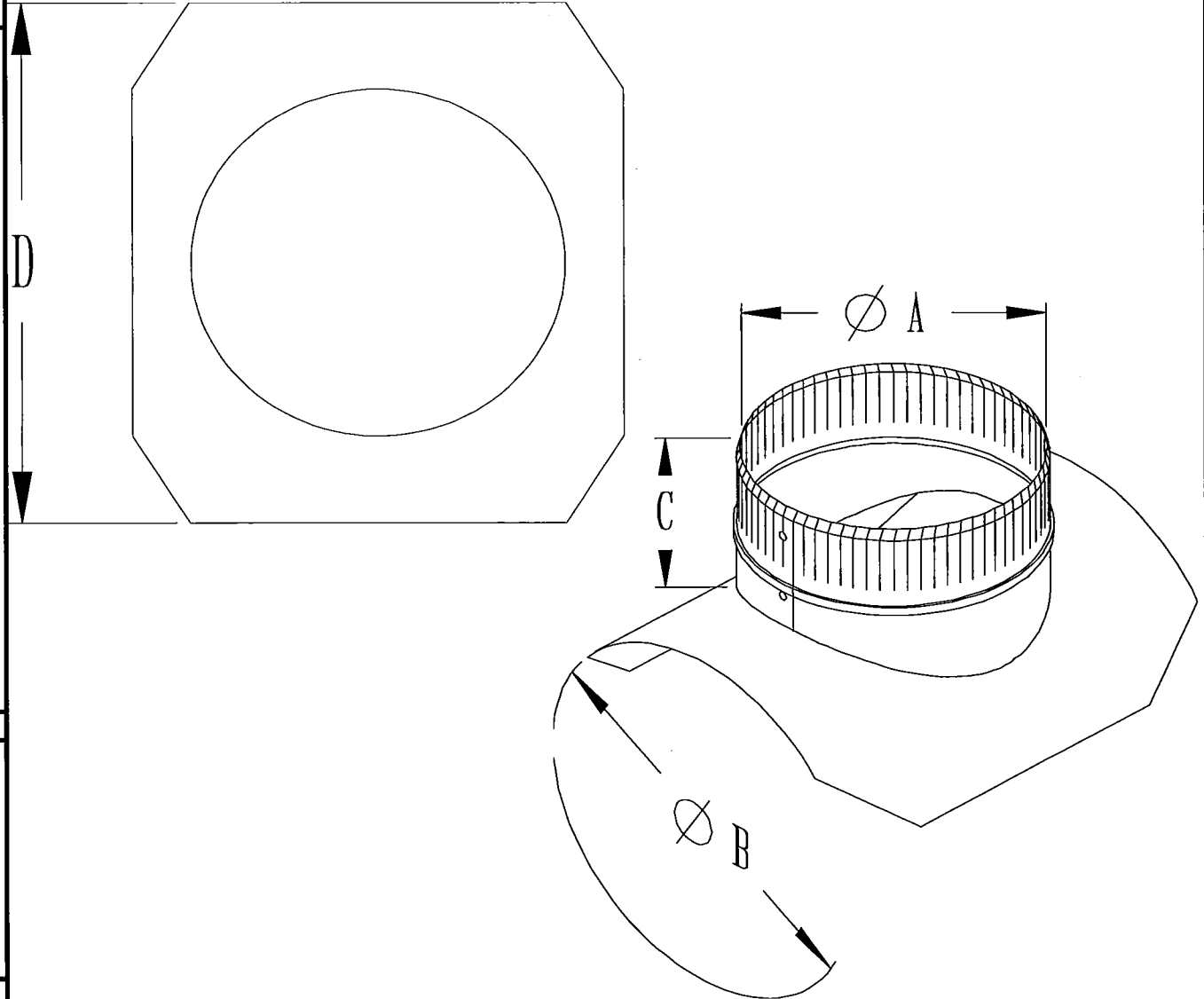
MODEL NO. 8601

SPIRAL SADDLE TEE

STANDARD MODEL

DIMENSIONS

SIZE				
A	on	Ø B	C	D
6"	on	6"	3"	10"
6"	on	8"	3"	10"
6"	on	10"	3"	10"
6"	on	12"	3"	10"
6"	on	14"	3"	10"
6"	on	16"	3"	10"
7"	on	16"	3"	11"
8"	on	8"	3"	12"
8"	on	10"	3"	12"
8"	on	12"	3"	12"
8"	on	14"	3"	12"
8"	on	16"	3"	12"
8"	on	18"	3"	12"
8"	on	22"-28"	3"	12"
10"	on	10"	3"	14"
10"	on	12"	3"	14"
10"	on	14"	3"	14"
10"	on	16"	3"	14"
10"	on	18"	3"	14"
10"	on	20"	3"	14"
12"	on	12"	3"	16"



MATERIAL SPECIFICATIONS

HOT DIPPED GALVANIZED STEEL
 PER ASTM A 653 CSB.

ASSEMBLED WITH 1/8" ZINC COATED RIVETS.

HEAVY GAUGE CONSTRUCTION
 26GA AND 24GA AVAILABLE

OPTIONS

JOB: _____
 LOCATION: _____
 CONTRACTOR: _____
 ENGINEER: _____
 NOTES: _____



325 COMMERCE DRIVE
 MT VERNON, OH 43050
 800-253-8236

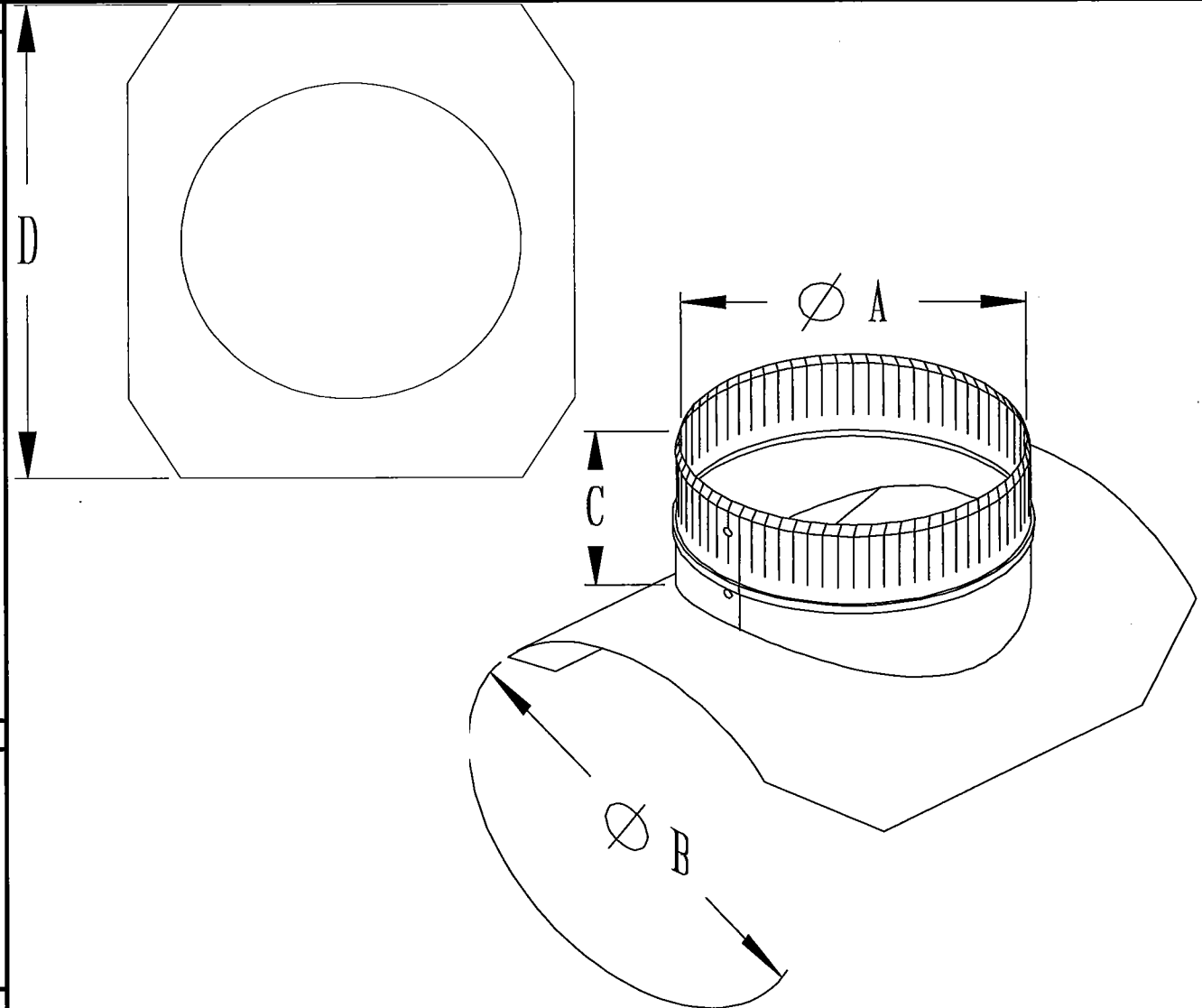
SPECIFICATION DATA SHEET

DATE: 5-28-13 PAGE 2
 PREPARED BY: RL

MODEL NO. 8601
 SPIRAL SADDLE TEE
 STANDARD MODEL

DIMENSIONS

SIZE				
A	on	Ø B	C	D
12"	on	14"	3"	16"
12"	on	16"	3"	16"
12"	on	18"	3"	16"
12"	on	20"	3"	16"
12"	on	22"	3"	16"
12"	on	24"	3"	16"
14"	on	14"	3"	18"
14"	on	16"	3"	18"
14"	on	18"	3"	18"
14"	on	24"	3"	18"
16"	on	16"	3"	20"
16"	on	18"	3"	20"
16"	on	20"	3"	20"
16"	on	22"	3"	20"
16"	on	24"	3"	20"
16"	on	26"	3"	20"
16"	on	28"	3"	20"
18"	on	18"	3"	22"
18"	on	24"	3"	22"
20"	on	22"	3"	24"
20"	on	24"	3"	24"



MATERIAL SPECIFICATIONS

HOT DIPPED GALVANIZED STEEL
 PER ASTM A 653 CSB.

ASSEMBLED WITH 1/8" ZINC COATED RIVETS.

HEAVY GAUGE CONSTRUCTION
 26GA AND 24GA AVAILABLE

OPTIONS

JOB: _____
 LOCATION: _____
 CONTRACTOR: _____
 ENGINEER: _____
 NOTES: _____