



325 COMMERCE DRIVE
 MT VERNON, OH 43050
 800-253-8236

SPECIFICATION DATA SHEET

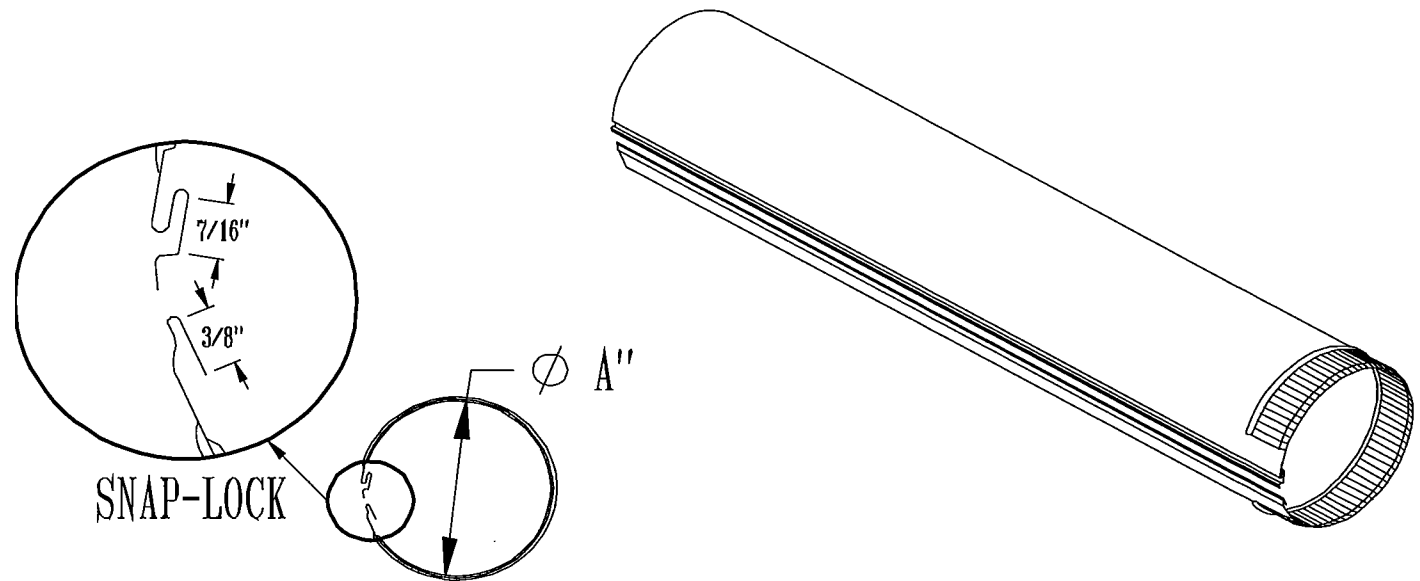
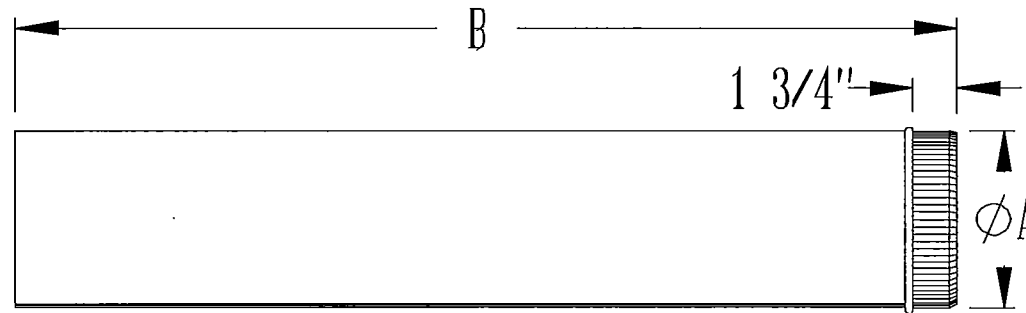
DATE: 1-26-12
 PREPARED BY: RL

**MODEL NO. 101
 24GA SNAPLOCK PIPE**

STANDARD MODEL

DIMENSIONS

| SIZE | LENGTHS AVAIL. | | GAGE |
|------|----------------|---------------|------|
| | A | B | |
| 4" | 4" | 24", 48" | 24 |
| 5" | 5" | 24", 48", 60" | 24 |
| 6" | 6" | 24", 48", 60" | 24 |
| 7" | 7" | 24", 60" | 24 |
| 8" | 8" | 24", 48" | 24 |
| 9" | 9" | 24", 60" | 24 |
| 10" | 10" | 24", 48", 60" | 24 |
| 12" | 12" | 24", 48", 60" | 24 |
| 14" | 14" | 24", 48", 60" | 24 |
| 16" | 16" | 24", 48", 60" | 24 |
| 18" | 18" | 24", 48", 60" | 24 |
| 20" | 20" | 24", 48" | 24 |
| 22" | 22" | 24" | 24 |
| 24" | 24" | 24" | 24 |



MATERIAL SPECIFICATIONS

HOT DIPPED GALVANIZED STEEL.
 PER ASTM A 653 CSB.

OPTIONS

AVAILABLE WITH REINFORCING RIBS

JOB: _____
 LOCATION: _____
 CONTRACTOR: _____
 ENGINEER: _____
 NOTES: _____