



325 COMMERCE DRIVE
 MT VERNON, OH 43050
 800-253-8236

SPECIFICATION DATA SHEET

DATE: 9-16-13
 PREPARED BY: RL

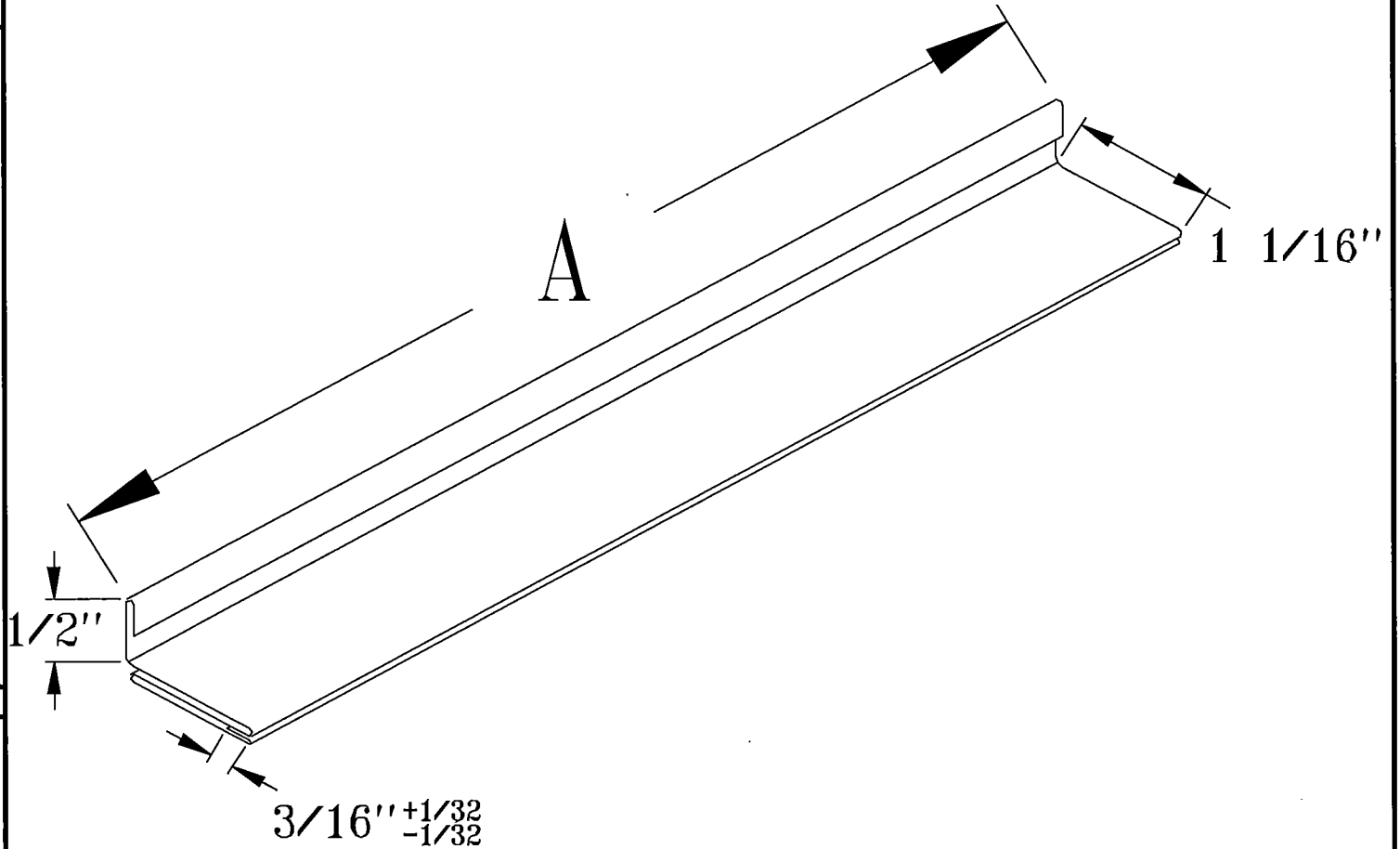
MODEL NO. 515

1/2" X 1" STANDING S CLEATS

STANDARD MODEL

DIMENSIONS

SIZE	A	GAUGES AVAIL.
1/2X1X10	10"	26
1/2X1X12	12"	26
1/2X1X14	14"	26
1/2X1X16	16"	26
1/2X1X18	18"	28
1/2X1X20	20"	28,26
1/2X1X22	22"	28,26
1/2X1X24	24"	28,26
1/2X1X25	25"	28,26
1/2X1X26	26"	26
1/2X1X60	60"	26
1/2X1X120	120"	26



MATERIAL SPECIFICATIONS

HOT DIPPED GALVANIZED STEEL.
 PER ASTM A 653 CSB.

OPTIONS

JOB: _____
 LOCATION: _____
 CONTRACTOR: _____
 ENGINEER: _____
 NOTES: _____