



325 COMMERCE DRIVE  
MT VERNON, OH 43050  
800-253-8236

# SPECIFICATION DATA SHEET

DATE: 9-13-12  
PREPARED BY: RL

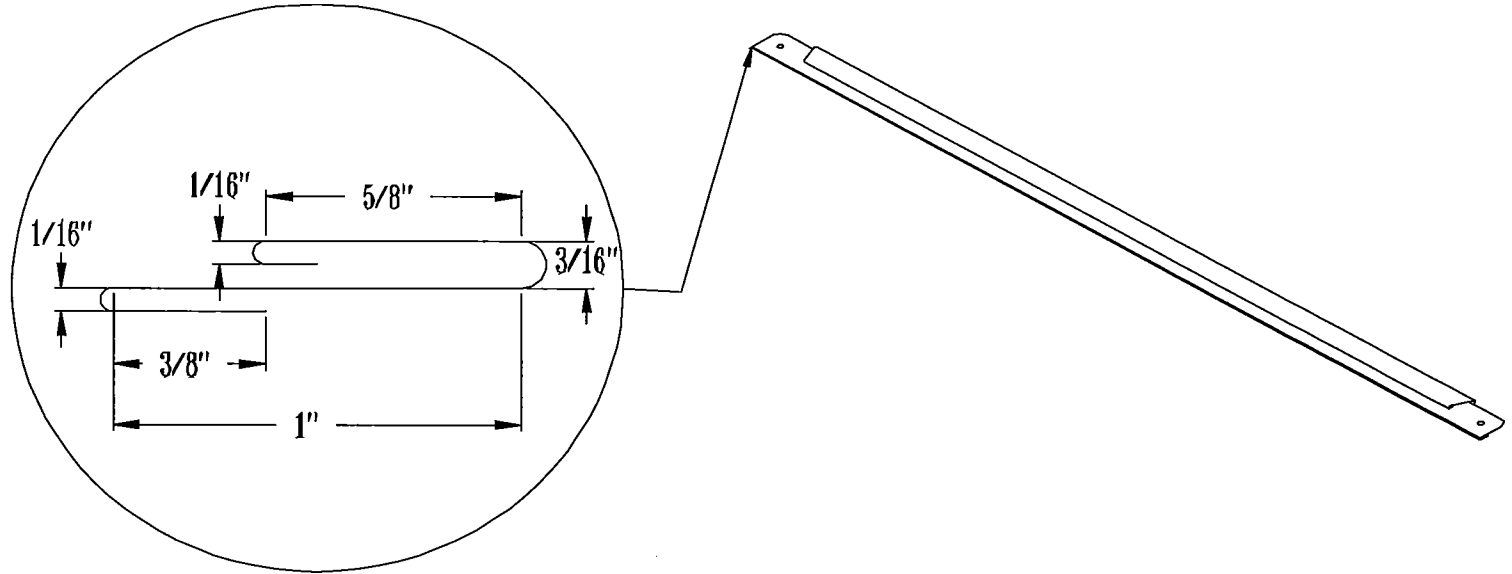
## MODEL NO. 514

## BOOT RAILS

STANDARD MODEL

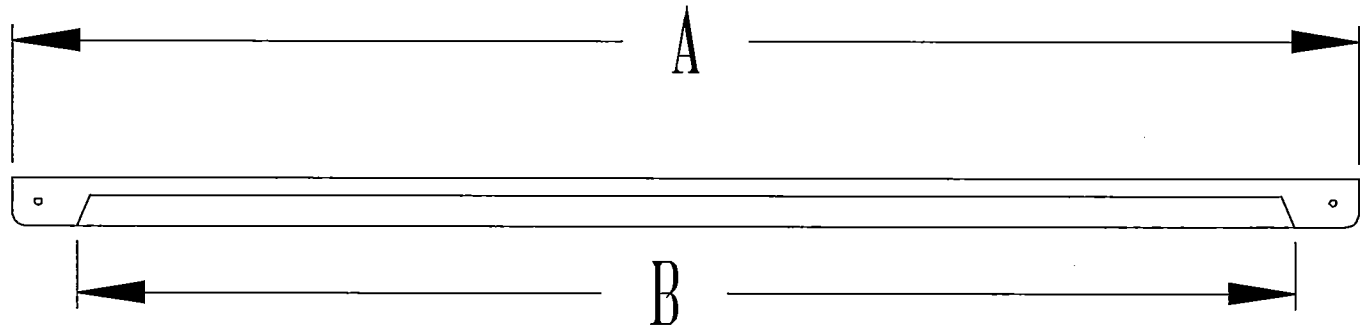
### DIMENSIONS

SIZE	A	B
26"	26"	23 1/2"



### MATERIAL SPECIFICATIONS

HOT DIPPED GALVANIZED STEEL.  
PER ASTM A 653 CSB.



### OPTIONS

28GA ALSO AVAILABLE

JOB: \_\_\_\_\_  
LOCATION: \_\_\_\_\_  
CONTRACTOR: \_\_\_\_\_  
ENGINEER: \_\_\_\_\_  
NOTES: \_\_\_\_\_