

# AprilAire<sup>®</sup>

## Humidifier

### SUBMITTAL SHEET

## Series 720

Fan-Powered Evaporative Humidifier

Project: \_\_\_\_\_

Dealer: \_\_\_\_\_

Architect: \_\_\_\_\_

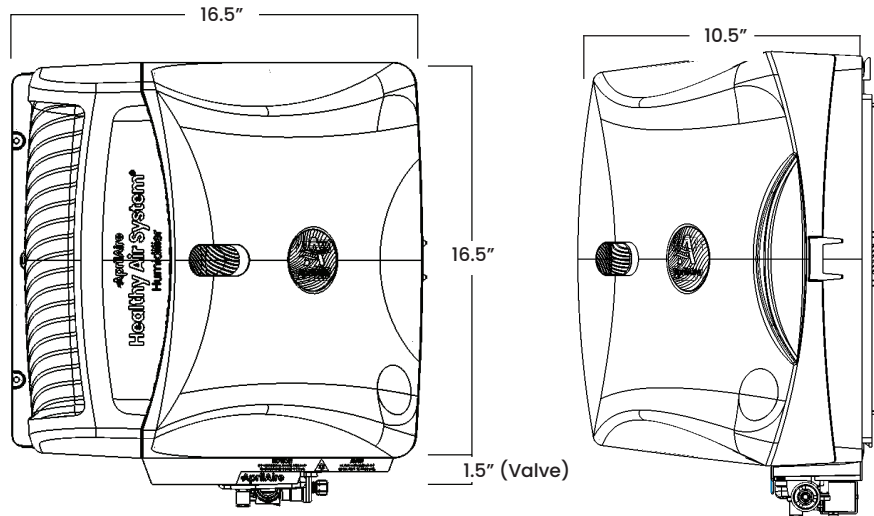
Engineer: \_\_\_\_\_

Contractor: \_\_\_\_\_

Location: \_\_\_\_\_

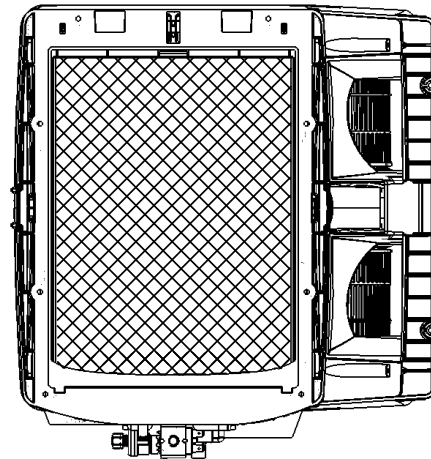
Suppliers: \_\_\_\_\_

Date: \_\_\_\_\_



### SPECIFICATIONS

<b>Rated Evaporative Capacity:</b>	High Speed: 21 GPD (0.88 GPH) Low Speed: 19 GPD (0.79 GPH)
<b>Rated Capacity Plenum Temperature*:</b>	120°F
<b>Water Feed Rate:</b>	1.75 GPH
<b>Required Water Temperature:</b>	Up to 140°F
<b>Required Supply Water:</b>	Recommend softened water or installing an inline scale reducing filter
<b>Ambient Temperature Operating Range:</b>	40°F - 140°F
<b>Electric Characteristics:</b>	
• <b>Water Valve:</b>	24 VAC
• <b>Control Voltage:</b>	24 VAC
• <b>Primary Voltage:</b>	120/1/60 VAC
<b>Cabinet Construction:</b>	Impact Resistant Polycarbonate
<b>Cabinet Finish:</b>	Gray/Blue
<b>Shipping Weight:</b>	18 lbs.
<b>Safety Standards:</b>	Listed to UL 998, CAN/CSA-C22.2 No. 104:20 - Humidifiers



The submittal is intended to show general, overall product dimensions and provide guidance for installation clearance. Drawings are not to scale. Ensure submittals are current. AprilAire reserves the right to make product changes without notification or obligation.

\*Lower plenum temperature can reduce evaporative capacity

