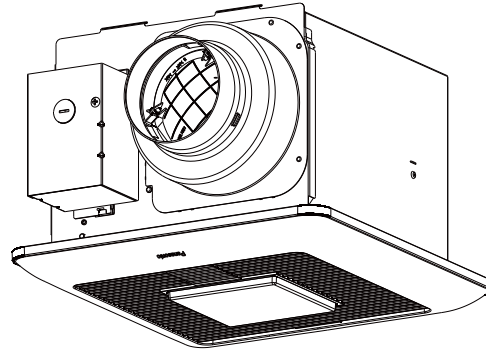


# Service Manual

Ventilating Fan  
(North America Market)



FV-0511VQL1

## ⚠ WARNING

This service information is designed for experienced repair technicians only and is not designed for use by the general public. It does not contain warnings or cautions to advise non-technical individuals of potential dangers in attempting to service a product. Products powered by electricity should be serviced or repaired only by experienced professional technicians. Any attempt to service or repair the product or products dealt with in this service information by anyone else could result in serious injury or death.

## IMPORTANT SAFETY NOTICE

There are special components used in this equipment which are important for safety. These parts are marked by ⚠ in the Schematic Diagrams, Exploded Views and Replacement Parts List. It is essential that these critical parts should be replaced with manufacturer's specified parts to prevent shock, fire or other hazards. Do not modify the original design without the manufacturer's approval.

Please have a static electricity depletion process in place before handling these components..

Please use gloves when handling PCB parts during the repair process..

CONTENTS	PAGE
1.Specification-----	1
2.Parts Identification -----	2~4
3.Wiring Diagram -----	5
4.Parts List-----	6~7

# 1. Specification

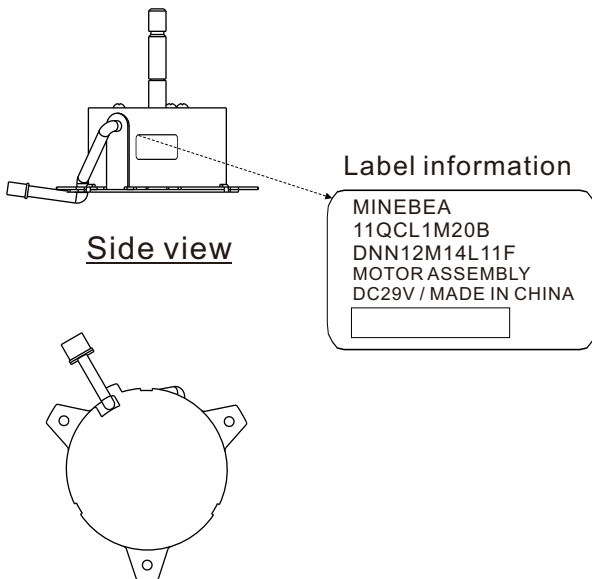
Model No.	Air direction	Voltage (V)	Frequency (Hz)	Duct diameter (Inches)	Air volume at 0.1"WG (CFM)	Noise (sones)	Speed (rpm)	Power (W)	Weight lb. (kg)
FV-0511VQL1	Exhaust	120	60	4 or 6	50	< 0.3	768	4.0	9.9 (4.5)
					80	< 0.3	867	6.1	
					110	0.4	1016	11.0	

HVI Certified performance based on HVI Procedures 915, 916, and 920.

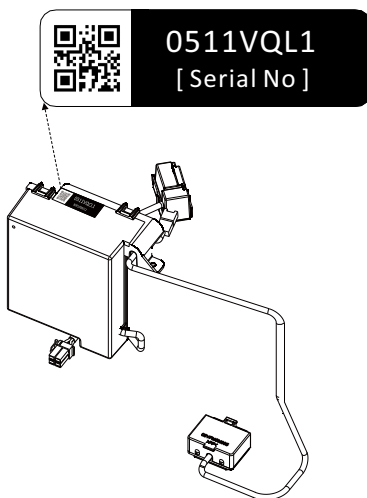
Remark: We divide this model into Version A & Version B, because of different motor and Main PCB Section, please put attention with identification of parts when you request a service parts.

## Parts for Version A

### Motor

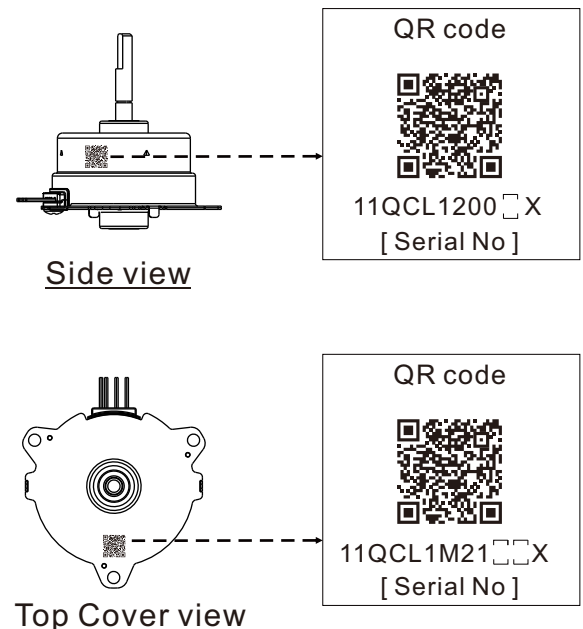


### Main PCB Section

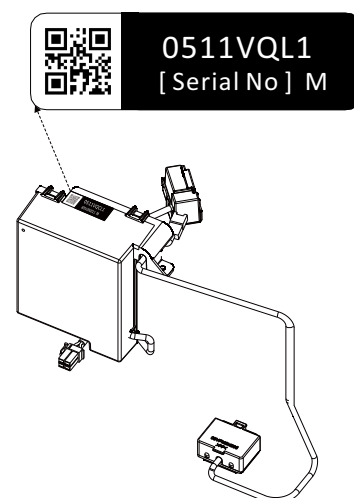


## Parts for Version B

### Motor



### Main PCB Section

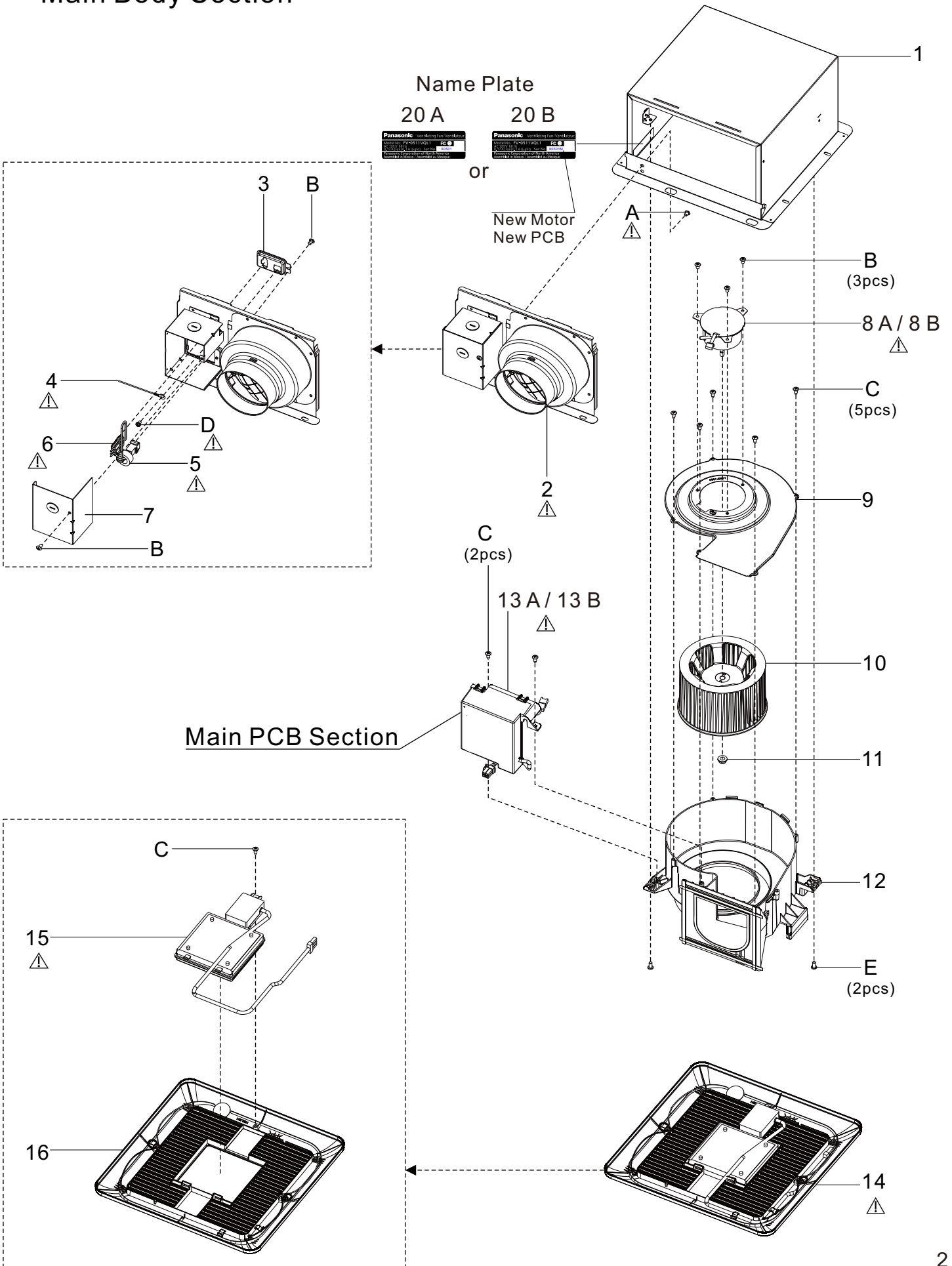


Motor	Main PCB	Judgment
Version A	Version A	( OK ) Work
Version A	Version B	( NG ) Do Not Work
Version B	Version B	( OK ) Work
Version B	Version A	( NG ) Do Not Work

# 2. Parts Identification

FV-0511VQL1

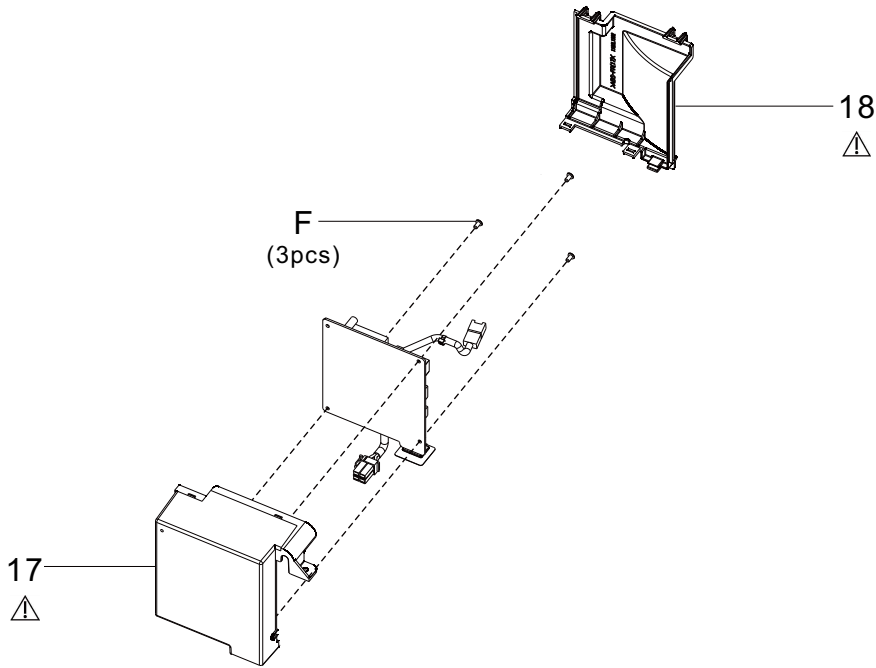
## Main Body Section



# 2. Parts Identification

FV-0511VQL1

## Main PCB Section



## Main Label



19

**WARNING:**  
 1. Before service or cleaning unit, switch power off at service panel and lock service panel to prevent power from being switched on accidentally.  
 2. Acceptable for use over a bathtub or shower when installed in a GFCI protected branch circuit.  
**CAUTION:**  
 To reduce the risk of injury to persons, install fan at least 2.1m (7 feet) above the floor.  
**ATTENTION:**  
 1. Avant l'entretien ou le nettoyage, mettez l'appareil hors tension au niveau de la façade des commandes et du panneau de ventilation.  
 2. Acceptable pour utilisation au-dessus d'une baignoire ou d'une douche si l'appareil est installé sur un circuit de dérivation protégé aux normes GFCI.  
 3. Afin de réduire les risques de blessures corporelles, installez le ventilateur à au moins 2,1 m (7 pieds) du sol.

22

## Part for Version A



20A

8 Means Year: 2018  
 05 Means Month  
 01 Means Day

## Part for Version B



20B

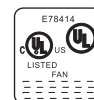
8 Means Year: 2018  
 05 Means Month  
 01 Means Day  
 M: In House MOTOR

21



For grounding, please keep the screw firmly  
 Pour la mise à la terre veuillez visser fermement

23

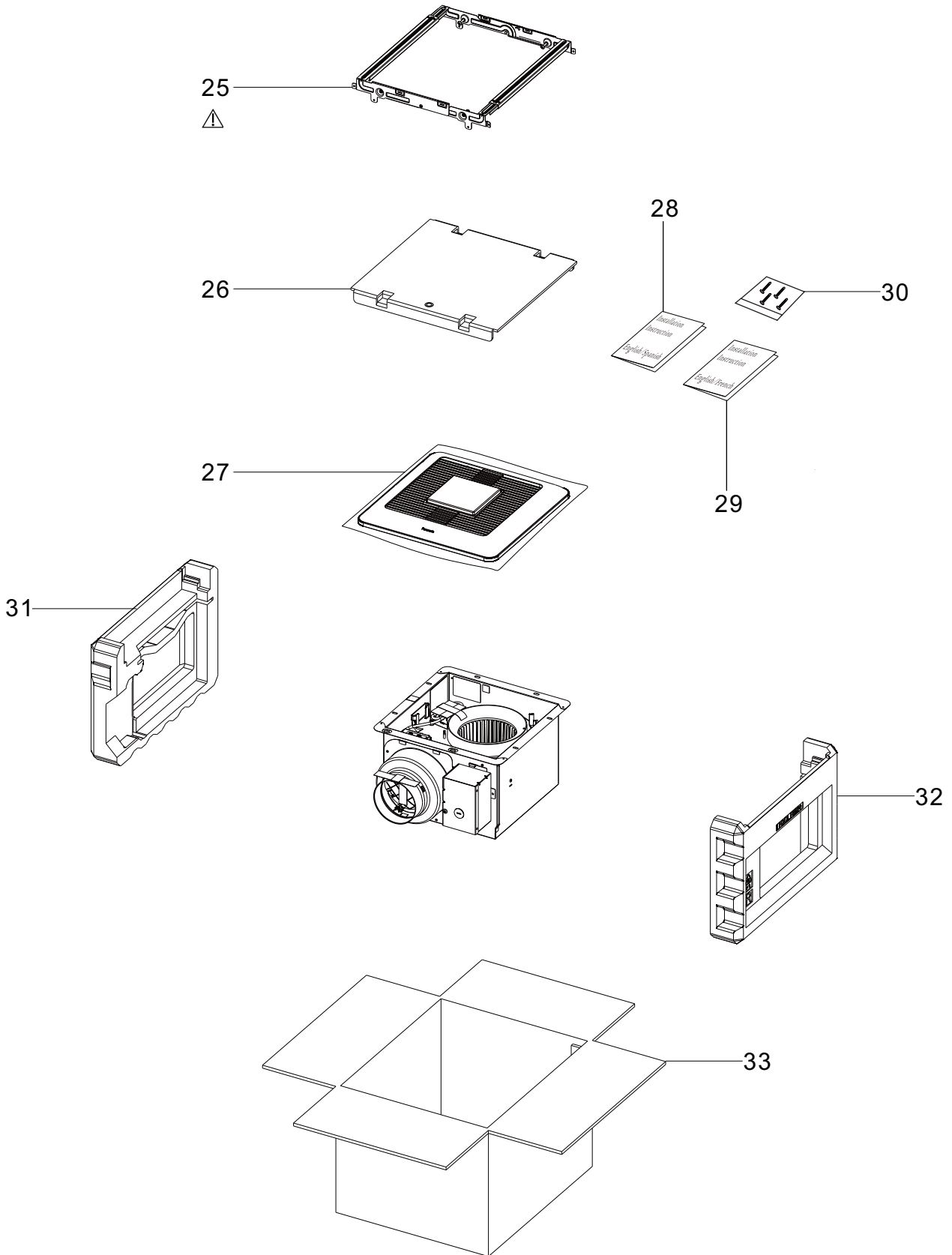


24

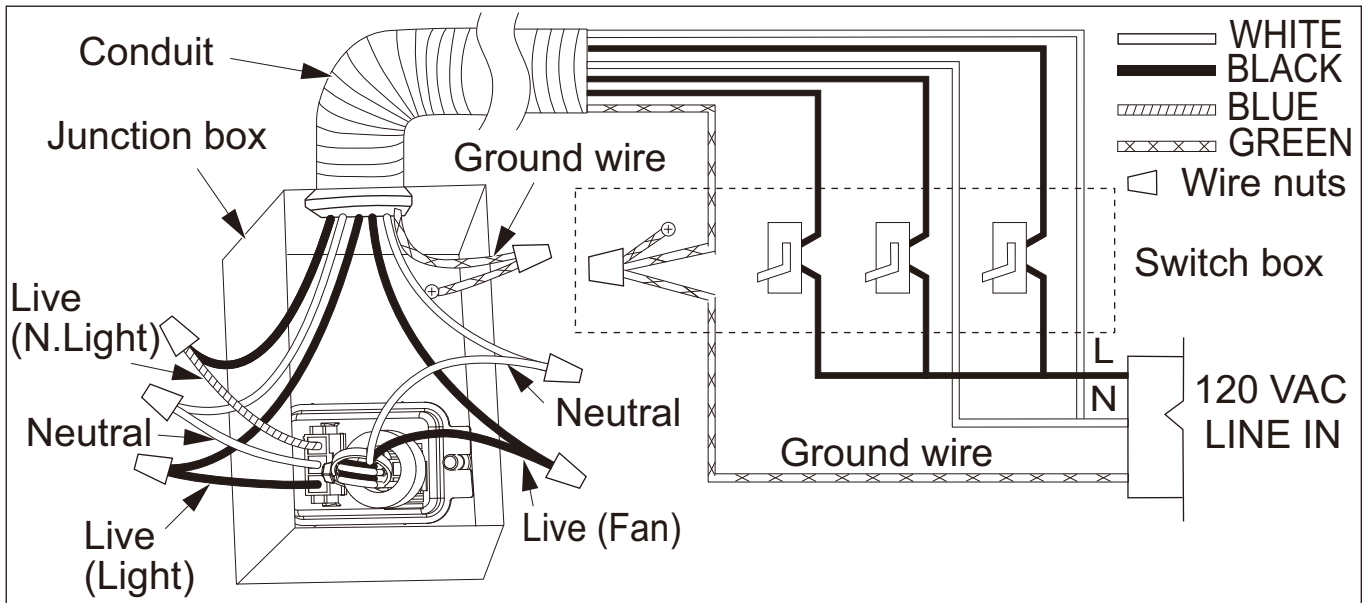
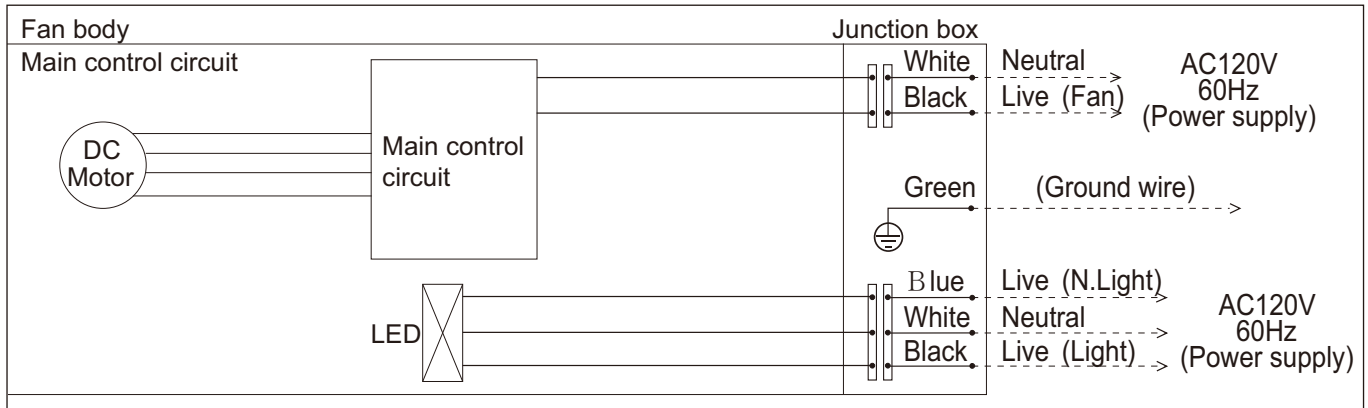
# 2. Parts Identification

FV-0511VQL1

## Packing Section















# 3. Wiring Diagram





## 4. Parts List

FV-0511VQL1

### Main Body Section

No.	Part No.	Part Name	Q'ty	Remark
1	FFV11QCL1900C	Frame Assembly	1	
2	FFV11QCL1910	Adapter Assembly	1	
3	FFV11QCL1913	Connector Plate	1	
4	FFV11QCL1331	Ground Wire	1	
5	FFV11QCL1301A	Connector Assy	1	
6	FFV11QCL1341A	Connector Assy (L)	1	
7	FFV11QCL1912A	Junction Cover	1	
8A	FFV11QCL1M20A	Motor	1	Version A 
8B	FFV11QCL1M21AX	Motor	1	Version B 
9	FFV11QCL1904C	Motor Support	1	
10	FFV0400114S	Blade	1	
11	FFV7020021S	Nut	1	
12	FFV11QCL1906B	Casing	1	
13A	FFV0511VQL1UPCB	Main PCB section	1	Version A 
13B	FFV11VQL1PCB	Main PCB section	1	Version B 
14	FFV0511VQL1A	Grill Assembly	1	
15	FFV3400148S	Led Unit	1	
16	FFV0511VQL1S	Grill Section	1	
A	FFVXYM4-E8FJ	Screw (M4-8)	1	
B	FFVXTT4-8FFJ	Screw (ST4-8)	5	
C	FFV7000089S	Screw (ST4-12)	8	
D	FFVXYM4DC8BN	Screw (M4-8)w/washer	1	
E	FFV7000065S	Screw (M4-12)	2	

### Main PCB Section

No.	Part No.	Part Name	Q'ty	Remark
17	FFV15VQ10991D	Main PCB Box	1	
18	FFV11QCL1992C	Main PCB Cover	1	
F	FFVXTN3-8GFJ	Screw (M3-8)	3	


## 4. Parts List

FV-0511VQL1

### Main Label

No.	Part No.	Part Name	Q'ty	Remark
19	FFV11QCL1012A	CFM Label	1	
20A	FFV11VQL1050	Name Plate	1	Version A
20B	FFV11VQL1050M	Name Plate	1	Version B
21	FFV0810011S	Caution Label 1	1	
22	FFV0810010S	Caution Label	1	
23	FFV6730045S	Warning Label	1	
24	FFV2260003S	Holograph Label	1	

### Packing Section

No.	Part No.	Part Name	Q'ty	Remark
25	FFV11QCL1920	Hanger Assy	1	
26	FFV4710381S	Grill Pad Assy	1	
27	FFV4650016S	Poly Cover	1	
28	FFV11QCL1420B	Installation Inst	1	English / Spanish For USA Market
29	FFV11QCL1421	Installation Inst	1	English / French For CANADA Market
30	FFV11KSL1M031A	Accessory A	1	
31	FFV11QCL1891	Left Pad	1	
32	FFV11QCL1892	Right Pad	1	