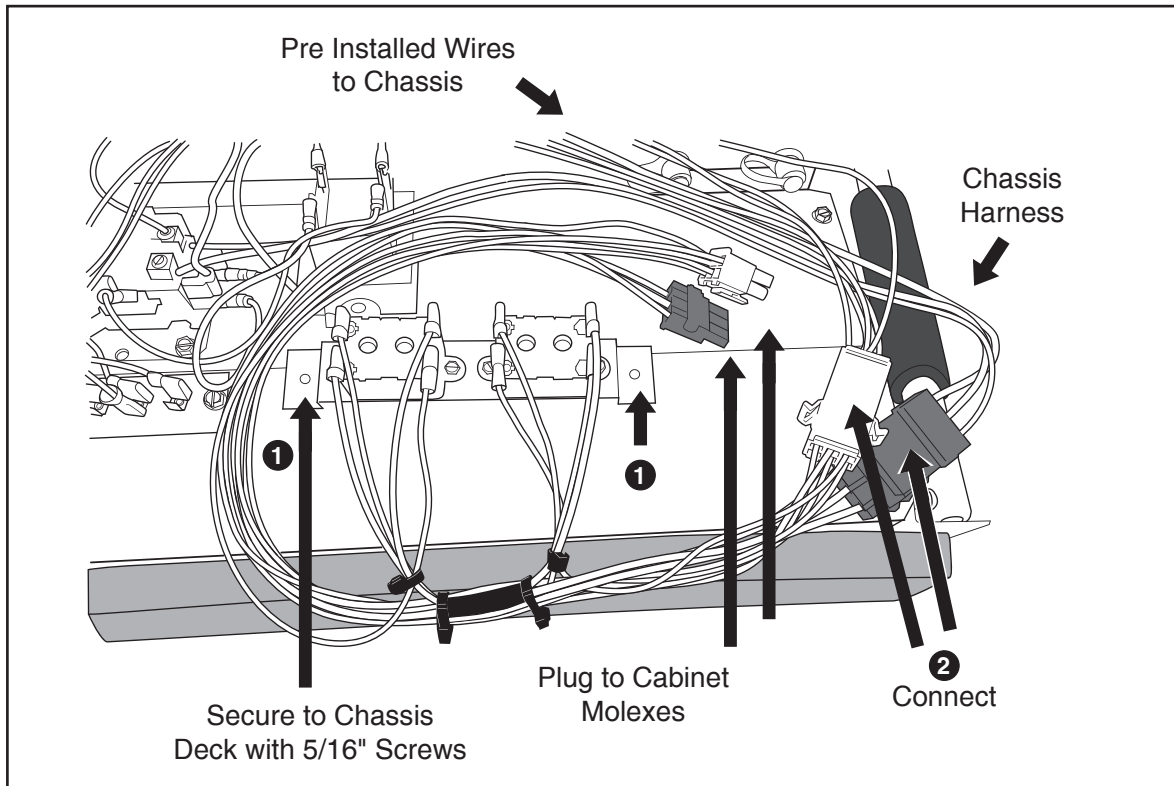


Chassis Conversion Kit Instructions - Kit Part# 14208604

This conversion kit is only needed when installing into older model cabinets that do not contain the U suffix in the model number. (See additional instructions on page 3 for CPE (Electric Heat) Models.)



Caution: Please turn off all power when replacing the cooling chassis.

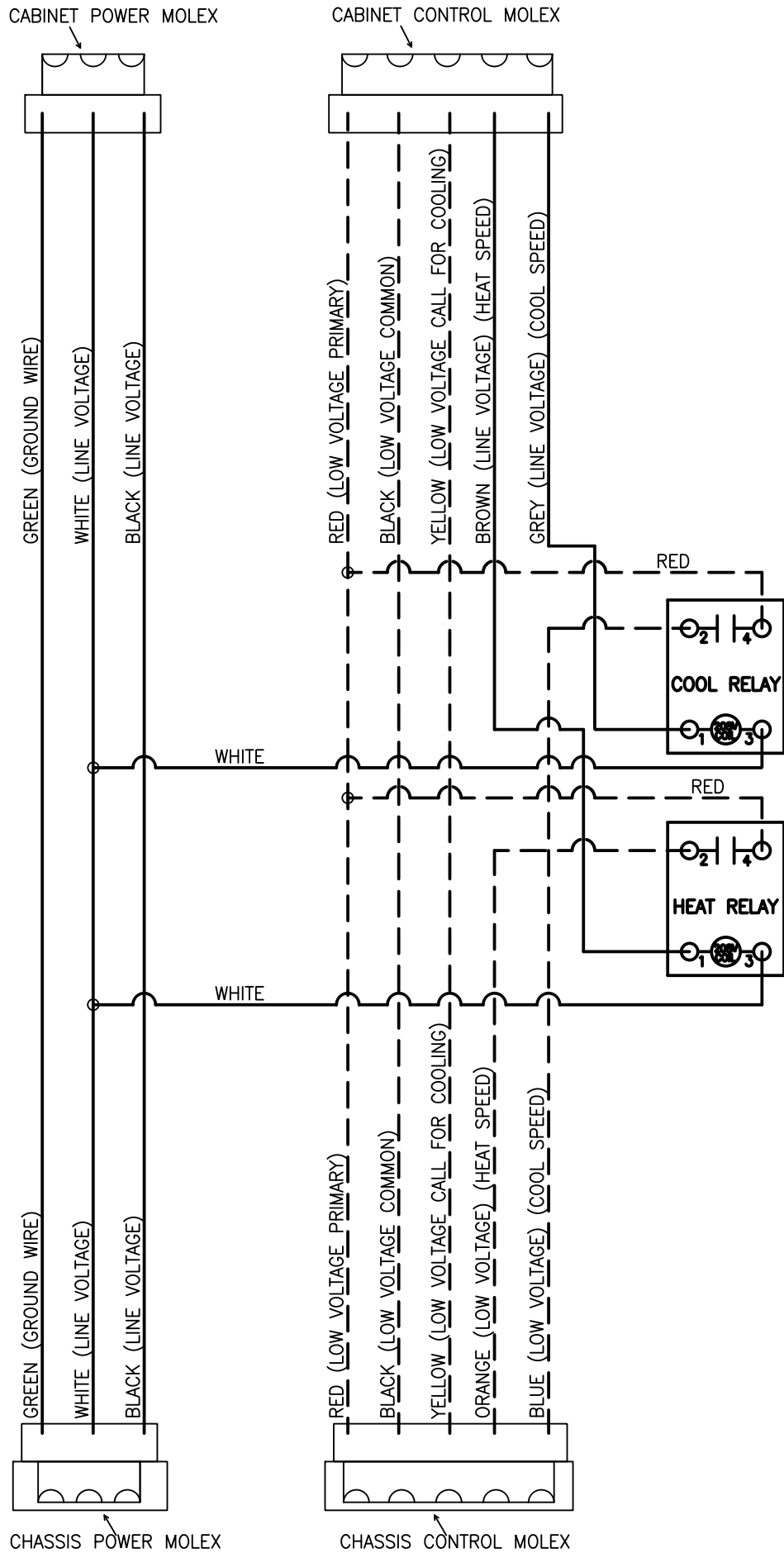
1. Secure the chassis conversion kit by mounting the base plate to the control deck using the 5/16" screws. Use the designated pre-drilled holes. **Note: Be careful not to puncture the evaporator coil when attaching.
2. Connect the two pre installed male chassis molex connectors to the female molex connectors provided on the chassis conversion kit.
3. The two unplugged male connectors will now be used to plug into the cabinet after installing the chassis.

See page 2 for wiring diagram.

National Comfort Products®

A Division of National Refrigeration & Air Conditioning Products, Inc.

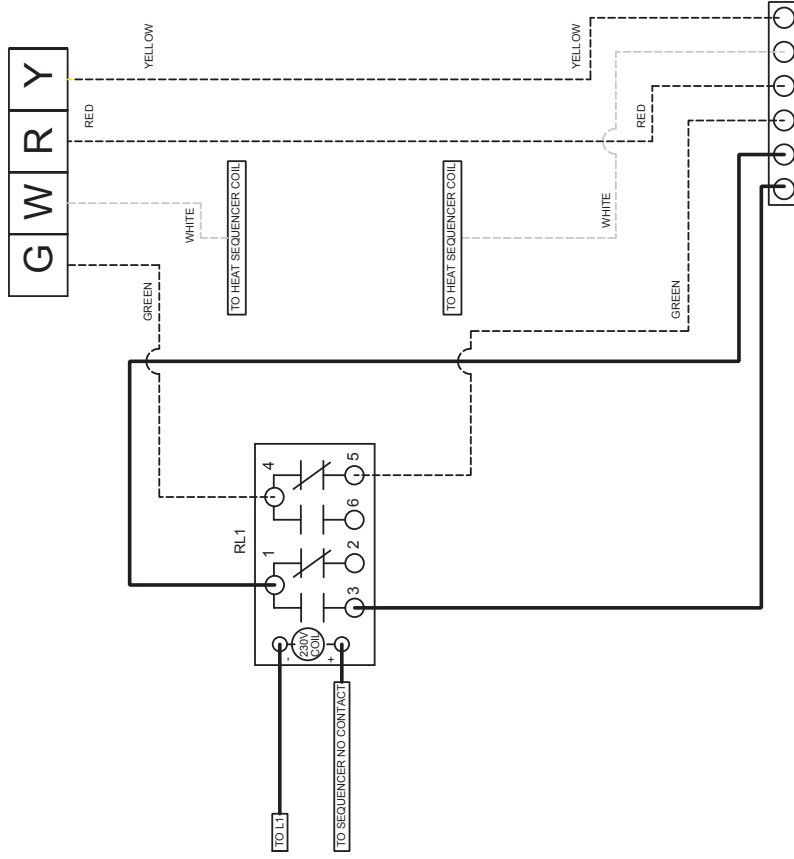
539 Dunksferry Road • Bensalem, PA 19020 • (215) 244-1400 • 1-800-523-7138 • Fax: (215) 639-1674



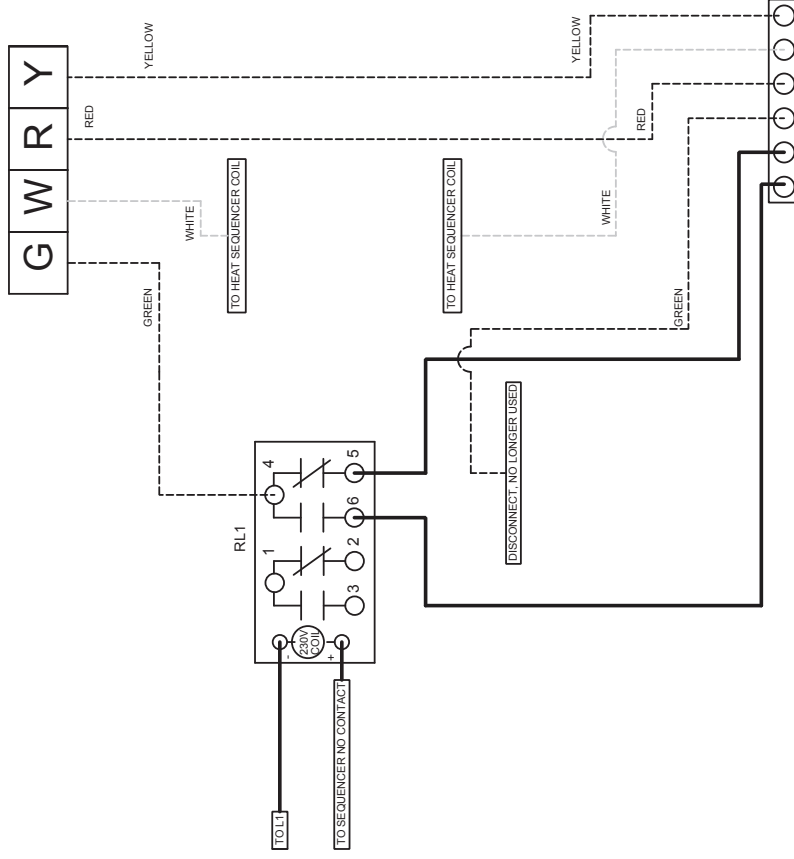
WIRING AN OLD SERIES CPE TO WORK WITH UNIVERSAL CHASSIS

**THIS WILL NOT WORK FOR 15 KW MODELS

BEFORE



AFTER



- STEP 1 - MOVE GREEN WIRE FROM RELAY TERMINAL 6 AND CAP IT IS NO LONGER REQ.
- STEP 2 - REMOVE ANY INTERNAL JUMPER WIRES FROM THE RELAY IF USED.
- STEP 3 - MOVE ORANGE WIRE FROM RELAY TERMINAL 3 TO TERMINAL 6
- STEP 4 - MOVE ORANGE WIRE FROM RELAY TERMINAL 1 TO TERMINAL 5
- STEP 5 - SET THERMOSTAT TO CONTROL FAN IN BOTH HEATING & COOLING



National Comfort Products
539 Dunksferry Road • Bensalem, PA 19020-5908
(800) 523-7138
Fax (215) 639-1674