



* Also available in black finish.



Keep your outdoor restaurant patio open all year long!

If your outdoor restaurant patio isn't already heated then you are leaving money on the table by relying on warm weather to keep your patio open.

Thanks to the affordability and performance of the **bistroSchwank** outdoor patio heater, you can keep your patio open during colder temperatures and create the perfect patio ambiance for your customers.

Experience Counts: Schwank is the worldwide market leader and most trusted brand with over 2 million heating appliances sold.



Features

- Made with **316 Marine Grade Stainless Steel** to prevent rusting
- Black or Stainless Steel enclosure to enhance the aesthetics of your patio
- Overhead mounting leaves more space for seating and keeps aisles clear
- Built in gas lines eliminate portable propane tanks, making the patio more efficient on your gas bill and safer for customers

Optional Accessories See back for more details.

- Patio Remote Control
- Patio Panel
- Wall mounting brackets and arm kits

Also Available in a 2-Stage Model

The all new **bistroSchwank 2152** provides dual heat settings for controlled comfort.

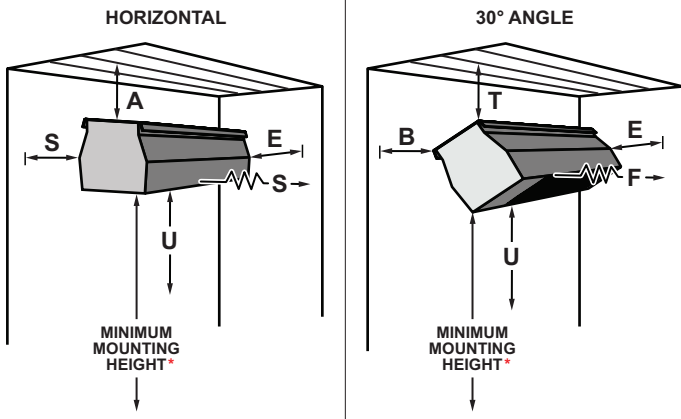
Contact us today for a FREE design and quote!

◀ Whole Foods Market, Palm Desert, California

bistroSchwank - Technical Specifications, Controls, and Accessories

Information below is intended only as a reference and should not be used when installing equipment. Please ensure you locate the most recent instruction manual for accurate and up to date information.

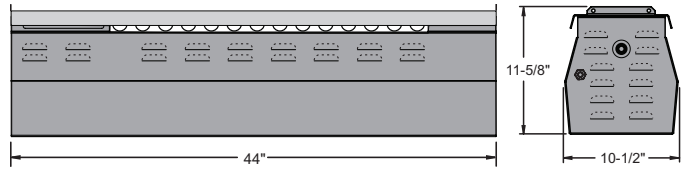
Clearances to Combustibles



MODEL		HORIZONTAL		30° ANGLE				
		E ENDS	U UNDER	A ABOVE	S SIDES	T ABOVE	B BACK	F FRONT
2135	OUTDOOR	14"	*	13"	14"	17"	9"	60"
2135	INDOOR	14"	45"	18"	18"	20"	11"	60"
2150/2152	OUTDOOR	14"	*	16"	19"	20"	8"	62"
2150/2152	INDOOR	14"	60"	21"	23"	25"	10"	62"

Note: For mounting angles between horizontal and 30°, use the higher applicable clearance.

Dimensions and Specifications



MODEL	INPUT BTU/HR	TOTAL WEIGHT	HEATER LENGTH	VOLTAGE AC	CURRENT AMPS
2135-N/L	35,000	39 lb.	44"	24	40 VA**
2150-N/L	50,000	44 lb.	44"		
2152-N	50,000/36,500	44 lb.	44"		

** For multiple heater installations: 40VA for the first heater and 20VA for each additional heater

Mounting Height Above Floor/Deck

	MODEL 2135	MODEL 2150/2152
Minimum Mounting Height*	8'-0"	9'-0"
Suggested Height for Comfort	9'-0"	10'-0"

* Mounting heights are suggested and are subject to site conditions and the separation distance between heater and closest subject. If in doubt contact your Schwank distributor. Series 2100 is design certified for outdoor use in accordance with current ANSI standards. Schwank warrants that the heater will operate as certified in wind conditions up to 10 mph. Please note that adverse wind condition will reduce the effectiveness of the heater.

Heater Controls

Remote Control [Single Stage Only]

Full Control Right at Your Fingertips



- Includes wires and instructions
- Receiver and handset are required
- Control up to 4 individual heaters or up to 4 zones with multiple heaters in each zone
- Wireless remote control keypad transmitter is optional
 - Weather resistant: outdoor or indoor installation
 - No more misplaced handsets

Hand set is required for master programming of receiver or keypad

Note: Remote Control and patioPanel are not compatible with electric heater series or Parasol series

patioPanel [Single Stage Only]

Immediate Comfort With the Flick of a Switch



- Central/Remote control of single-stage heater systems
- patioPanel and switches have 24 volt capacity
- Control up to 12 heaters at a time
- For best comfort control, assign one heater to each patioPanel switch
- Easy to use and configure

Models Available:

PCP-4 [Up to 4 heaters],
PCP-8 [Up to 8 heaters],
PCP-12 [Up to 12 heaters]

24 Volt transformer not included

2-Stage Control Switches

Dual Heat Settings for Controlled Comfort



- Low-High Stage Control Illuminated Switches
- Brushed stainless steel plate cover
- Standard electrical box to suit is supplied
- 24Vac capacity [install system transformer prior to switches]
- Each switch controls from 1 to 4 heaters in a zone

Compatible only with 2-Stage heater models

Optional Accessories

Each 2100 series heater is supplied with a hanging bracket for overhead suspension

Wall mounting bracket [30° mounting angle]	JP-2100-MB
Wall mounting arm kit	JP-2300-MK
Post mounting kit	JP-2300-PK
Black Flexible Gas Connector	JL-0771-OD

Distributor info:

Additional resources:



I/O Manual



Replacement Parts List



Mounting Instructions

Our customers include:



USA: 2 Schwank Way, Waynesboro, GA 30830 | Canada: 5285 Bradco Blvd. Mississauga, ON L4W 2A6
Tel: 1-877-446-3727 | Fax: 1-866-361-0523 | www.patioschwank.com | csr@schwankgroup.com



M11114 RL: v2.0 RD: Jul-2019