



## H-x074W Series

Pro-Pal 3-Way T-Flow Ball Valve  
 Forged DZR Brass Ball Valve  
 w/ Dual Stem Seal Design

### Certifications

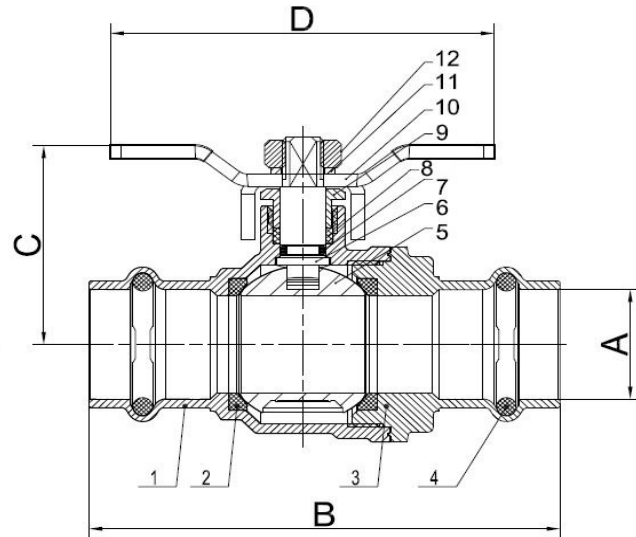
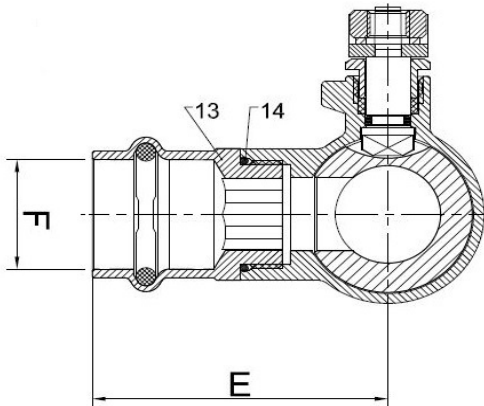
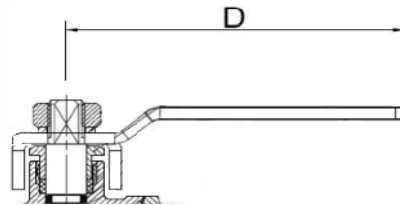
Certified to NSF/ANSI 61 & 372  
 Lead-Free



NO.	DESCRIPTION	MATERIAL
1	Body	Lead-Free DZR Brass
2	Seat	PTFE
3	Cap	Lead Free DZR Brass
4	O-Ring	EPDM
5	Ball	Brass HCP
6	Stem	Brass
7	O-Ring	EPDM
8	Packing	PTFE
9	Packing Gland	Brass
10	Handle	Stainless Steel and PVC
11	Lock Washer	Stainless Steel
12	Nut	Stainless Steel
13	Side Port Cap	Lead Free Brass
14	O-Ring	EPDM



Lever Handle on  
 Sizes 1/4"-2"



Designed for residential, commercial or industrial use with water, oil or glycol mix. This approved Webstone valve is actuated by a blowout proof stem and features a dual stem seal design consisting of an o-ring, PTFE packing and an adjustable packing gland. The valve is actuated by 180° handle, which allows the user to select flow from either or both sides of the ball in the main full-port flow channel for diversion or mixing into the reduced-port branch. Models 1/4"-2" feature a lever handle for easier actuation.

ITEM#	Connection Type	SIZE (in)	Max Temp	Pressure Rating	A	B	C	D	E	F
H-80742W	Press	1/2	200°F Max	250 PSI CWP Max	0.63	2.97	1.52	3.15	1.89	0.39
H-80743W	Press	3/4	200°F Max	250 PSI CWP Max	0.88	3.52	1.69	3.15	2.20	0.59
H-80744W	Press	1	200°F Max	250 PSI CWP Max	1.14	3.72	2.01	3.94	2.36	0.79
H-80745W	Press	1 1/4	200°F Max	250 PSI CWP Max	1.39	4.57	2.70	5.08	2.85	0.98
H-80746W	Press	1 1/2	200°F Max	250 PSI CWP Max	1.64	5.47	3.05	6.26	3.35	1.26
H-80747W	Press	2	200°F Max	250 PSI CWP Max	2.14	6.71	3.35	6.26	4.06	1.57