

# 24V Interface Mini

Model: KSAIC0601230

## Submittal Data

Job Data: \_\_\_\_\_ Location: \_\_\_\_\_

Buyer: \_\_\_\_\_ Buyer P.O. #: \_\_\_\_\_ Carrier #: \_\_\_\_\_

Unit Number: \_\_\_\_\_ Model Number: \_\_\_\_\_

Performance Data Certified By: \_\_\_\_\_ Date: \_\_\_\_\_



### Parts Included

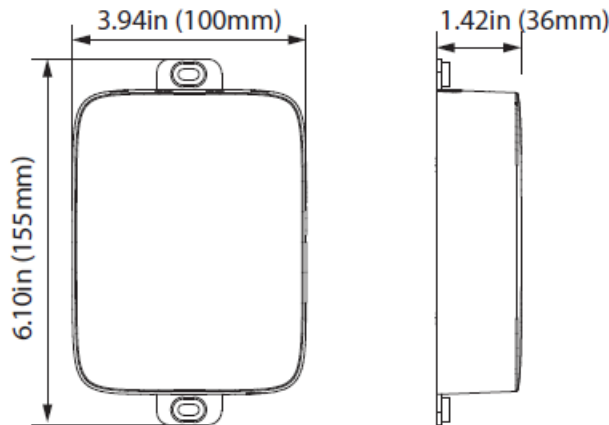
- Installation/Owner's Manual
- Screws M3.9x25
- Screw M4x8
- Wall Plug
- Connective Wire Group (XYE only)
- \*RT1 Thermistor Assembly 7in (177.8mm)  
RDC Part# **11201007006664**

### Parts Not Supplied: Optional Accessory

- 16ft. (5m) Return Air Thermistor Assembly  
Extension Wires  
RCD Part# **17401204010126**

## 24V Interface Mini – Specifications

|                                  |  |
|----------------------------------|--|
| <b>Dimensions</b>                | 6.1 x 3.94 x 1.42 in (155 x 100 x 36 mm) |
| <b>Input Voltage Indoor</b>      | 12VDC                                    |
| <b>Input Voltage Transformer</b> | 24VAC (Field Supplied)                   |
| <b>Ambient Temperature</b>       | 23-110F (-5-43C)                         |
| <b>Ambient Humidity</b>          | RH40%~RH90%                              |



## 24V Interface Mini - Features Overview

|                                      |   |
|--------------------------------------|---|
| <b>Applications</b>                  | <ul style="list-style-type: none"> <li>○ Designed for use with ductless equipment, not for VRF systems</li> <li>○ One 24V Interface Mini to one indoor unit installation application</li> </ul>                                 |
| <b>Compatibility</b>                 | Compatible with all Puron Advance Models except Value Tier high walls and only Puron Cassettes, HS/Slim Duct, 18K and above Ceiling/Floor Consoles  |
|                                      | Not compatible with Puron High Wall and Puron Floor Console   |
| <b>Device Connections</b>            | HA/HB port (2-wire) and RS485 port (4-wire) available   |
|                                      | Compatible with indoor multifunctional boards (XYE)   |
| <b>Additional Connections</b>        | Optional connection for On/Off Heat Source (12V, 20mA)  |
| <b>24V Thermostat Configurations</b> | Supports an optional 24V thermostat with DIP switch configuration<br><b>(Transformer not included and must be field provided per the selected third-party thermostat specifications)</b>  |
| <b>RT1 Thermistor</b>                | <ul style="list-style-type: none"> <li>○ RT1 thermistor must be on the 24V Interface for proper temperature sensing</li> <li>○ Optional RT1 thermistor extension wires available through Replacement Components (RC)</li> </ul> |

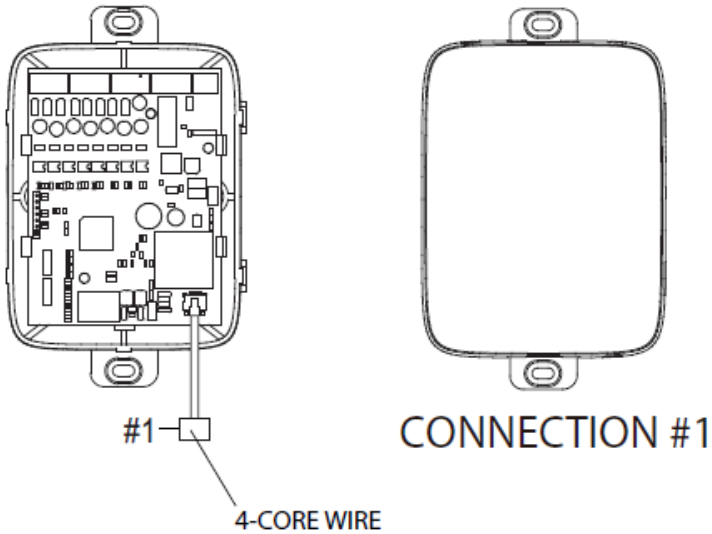
## 24V Interface Mini - Compatibility Chart

| Unit Type Single Zone and Multi-zone (Puron Advance) |        |         |         |             |        |
|--|--------|---------|---------|-------------|--------|
| HIGH WALL  |        |         |         | CASSETTE    |        |
| 615PHA   | 615AHA | 45MHHAQ | 45MHHAC | 45MBCA      | 45MCCA |
| ●  | ●      | ●       | ●       | ●           | ●      |
| DUCTED   |        | CONSOLE |         | AIR HANDLER |        |
| 45MBDA   | 45MBFA | 45MCFA  | 45MBAA  | 45MUAA      | 45MUHA |
| ●  | ●      | ●       |         |             |        |

| Unit Type Single Zone and Multi-zone (Puron) |           |         |                |             |        |
|--|-----------|---------|----------------|-------------|--------|
| HIGH WALL                                    |           |         |                | CASSETTE    |        |
| 619PHB                                       | 619AHB    | 40MHHAQ | 40MHHAC/DHMPHB | 40MBC(A)Q   | 40MCCA |
|  |           |         |                | ●           | ●      |
| DUCTED                                       |           | CONSOLE |                | AIR HANDLER |        |
| 40MBDA/Q                                     | 40MBF(Q)A | 40MUAA  | 40MBAB         |             |        |
| ●  |           |         |                |             |        |

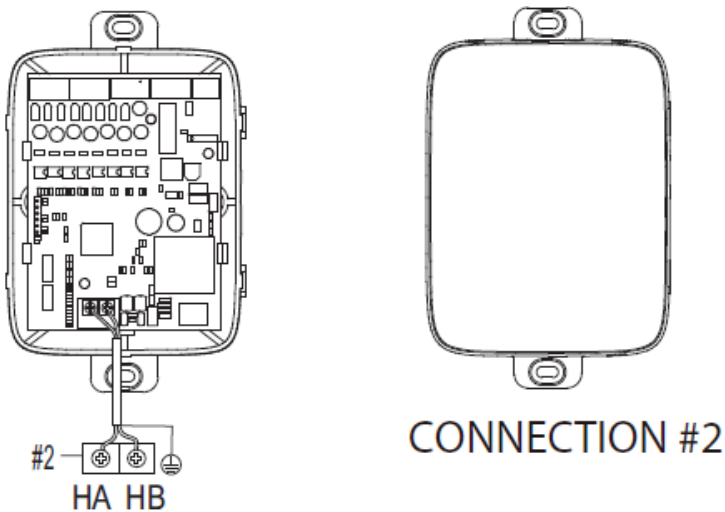
|                |   |
|----------------|---|
| R410A Models   |   |
| Not Compatible |   |
| Compatible     | ● |

## 24V Interface **Mini** – Indoor Connections



### **Connection # 1**

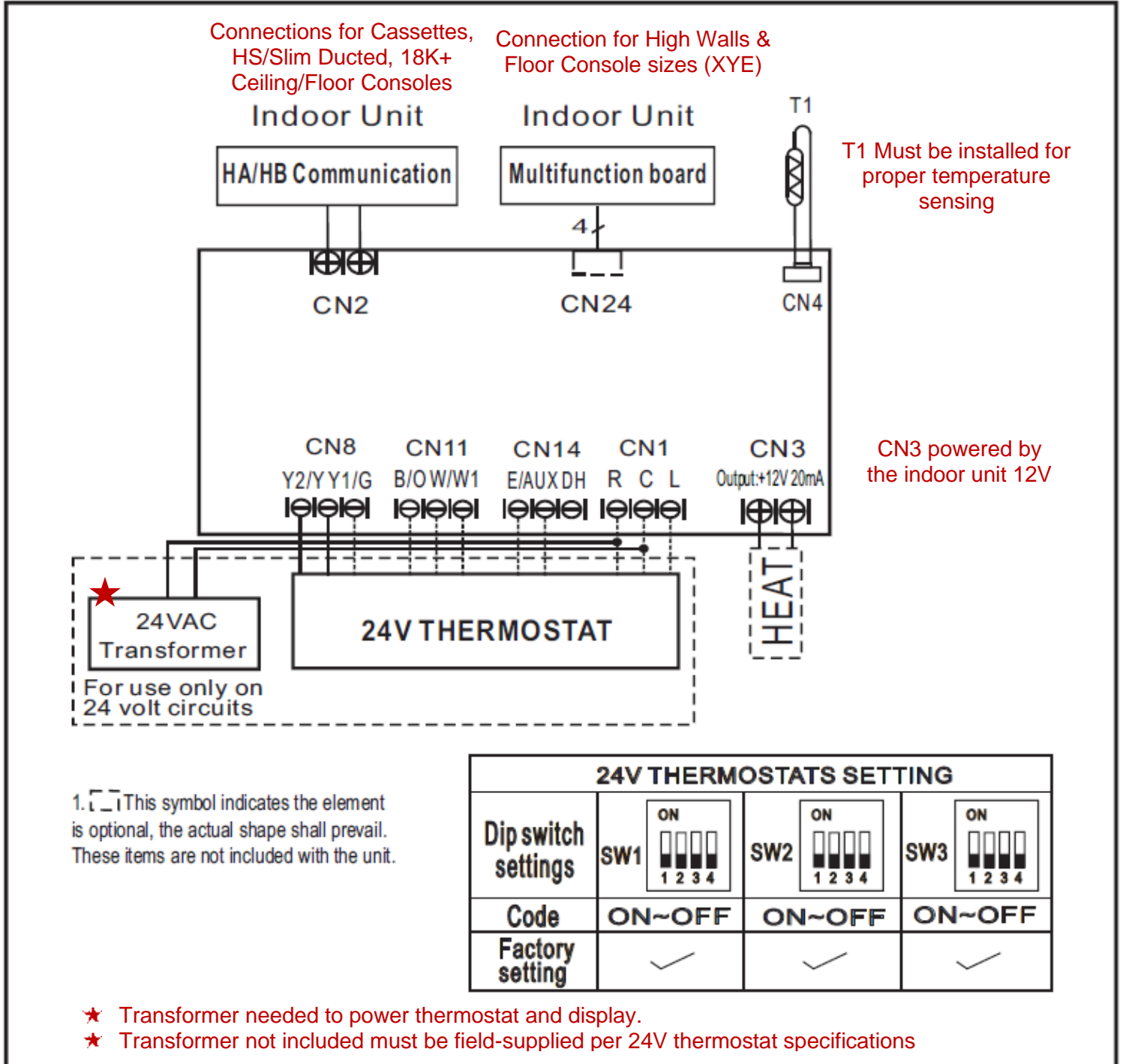
- Indoor units Slim Ducts, Cassettes, and Consoles (18K and above) can connect via CN40 for both Puron Advance and Puron models.
- Puron Advance High Walls and Floor Consoles models connect with the multi-function board using a 4-core wire (X-Y-E).
- Puron High Walls and Puron 12K Floor Consoles are not compatible with this interface.



### **Connection #2**

- Connect the terminals to CN2 on the 24V interface (HA, HB) and to the indoor unit terminals (HA, HB).
- HA and HB are non-polarized.

## 24V Interface Mini - Wiring Diagram



**Application: One 24V Interface Mini to One indoor unit installation**

**\*For more information see the installation manual\***