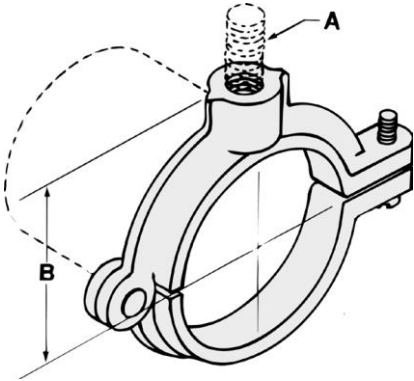




SPLIT RING HANGERS

**Fig. 508R
HINGED EXTENSION
SPLIT CLAMP**

Fig. 508R BOLT THREAD



FUNCTION: Designed for non-insulated stationary pipe lines in either a horizontal or vertical position. The hinged design allows for a quick installation.

APPROVALS: Complies with Federal Specifications A-A-1192A (Type 12) and Manufacturers' Standardization Society ANSI/SP-69 and SP-58 (Type 12).

MATERIAL: Malleable iron

FINISH: Plain or Electro-galvanized

ORDERING: Specify pipe size, finish and figure number.

| Pipe Size | | A Bolt Thread | B | | Max. Rec. Load | | Wt. Each | |
|-----------------------------|-------|-----------------------------|-------------------------------|---------|----------------|--------|----------|-------|
| | | | | | lbs. | kN | lbs. | kg |
| ³ / ₈ | (10) | ³ / ₈ | ¹³ / ₁₆ | (20.64) | 180 | (0.80) | .13 | (.06) |
| ¹ / ₂ | (15) | ³ / ₈ | ⁷ / ₈ | (22.23) | 180 | (0.80) | .14 | (.06) |
| ³ / ₄ | (20) | ³ / ₈ | 1 | (25.40) | 180 | (0.80) | .16 | (.07) |
| 1 | (25) | ³ / ₈ | ¹ / ₈ | (28.58) | 180 | (0.80) | .18 | (.08) |
| ¹ / ₄ | (32) | ³ / ₈ | ⁵ / ₁₆ | (33.34) | 180 | (0.80) | .22 | (.10) |
| ¹ / ₂ | (40) | ³ / ₈ | ⁷ / ₁₆ | (36.51) | 180 | (0.80) | .38 | (.17) |
| 2 | (50) | ³ / ₈ | ¹¹ / ₁₆ | (42.86) | 180 | (0.80) | .44 | (.20) |
| ² / ₂ | (65) | ¹ / ₂ | ² / ₈ | (53.98) | 300 | (1.33) | .45 | (.20) |
| 3 | (80) | ¹ / ₂ | ²⁷ / ₁₆ | (61.91) | 300 | (1.33) | .55 | (.25) |
| 4 | (100) | ¹ / ₂ | 3 | (76.20) | 300 | (1.33) | .95 | (.43) |

Unless otherwise specified, all dimensions on drawings and in charts are in inches and dimensions shown in parentheses are in millimeters.