



325 COMMERCE DRIVE
 MT VERNON, OH 43050
 800-253-8236

SPECIFICATION DATA SHEET

DATE: 3-5-13
 PREPARED BY: RL

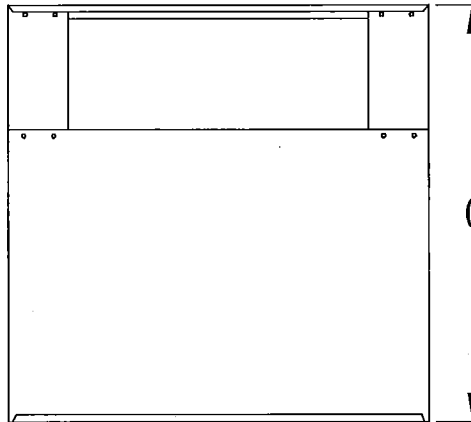
MODEL NO. 074

RETURN AIR SUPPORT BOX

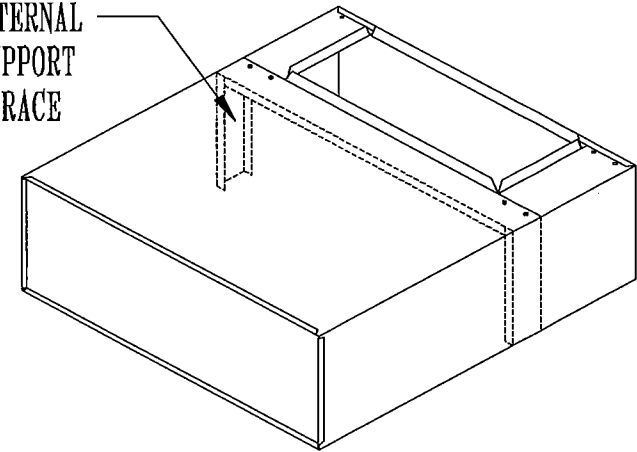
STANDARD MODEL

DIMENSIONS

SIZE	A	B	C	D	E
10x28x30-8x24	10"	28"	30"	8"	24"
10x28x30-8x20	10"	28"	30"	8"	20"
10x28x38-10x24	10"	28"	38"	10"	24"
10x28x38-10x25	10"	28"	38"	10"	25"
12x28x40-12x24	10"	28"	40"	12"	24"



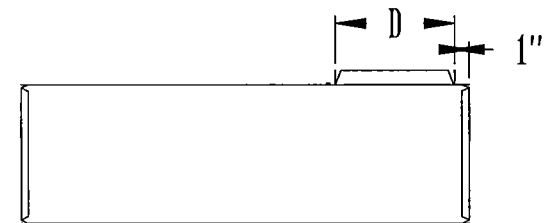
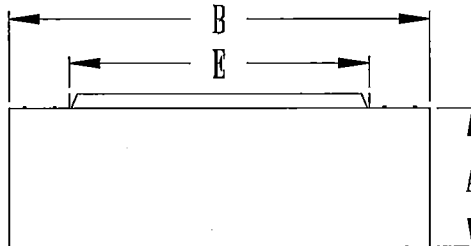
INTERNAL
 SUPPORT
 BRACE



MATERIAL SPECIFICATIONS

HOT DIPPED GALVANIZED STEEL.
 PER ASTM A 653 CSB.

24 GAUGE CONSTRUCTION.



OPTIONS

JOB: _____
 LOCATION: _____
 CONTRACTOR: _____
 ENGINEER: _____
 NOTES: _____