

VRF Indoor Unit 40VMF030A--3—4-Way Cassette



Submittal Data

Job Name _____ Location _____
Tag _____



STANDARD FEATURES

- Delivers air in all four directions
- Knock out for OA opening
- Louver control (fixed or swing)
- Three fan speeds - high, medium, and low
- Built-in condensate lift mechanism
- Built in EXV (Electronic Expansion Valve) for installation ease

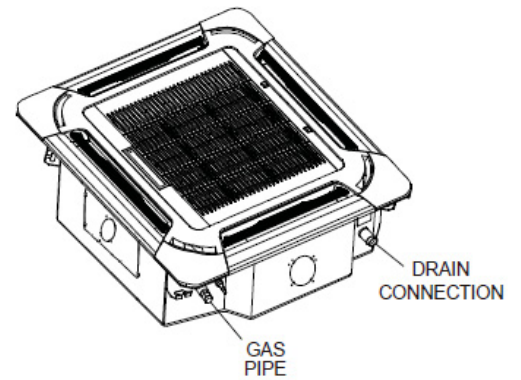
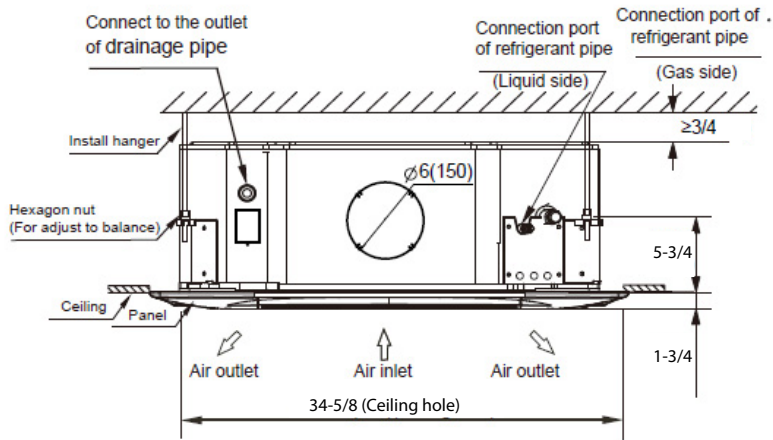
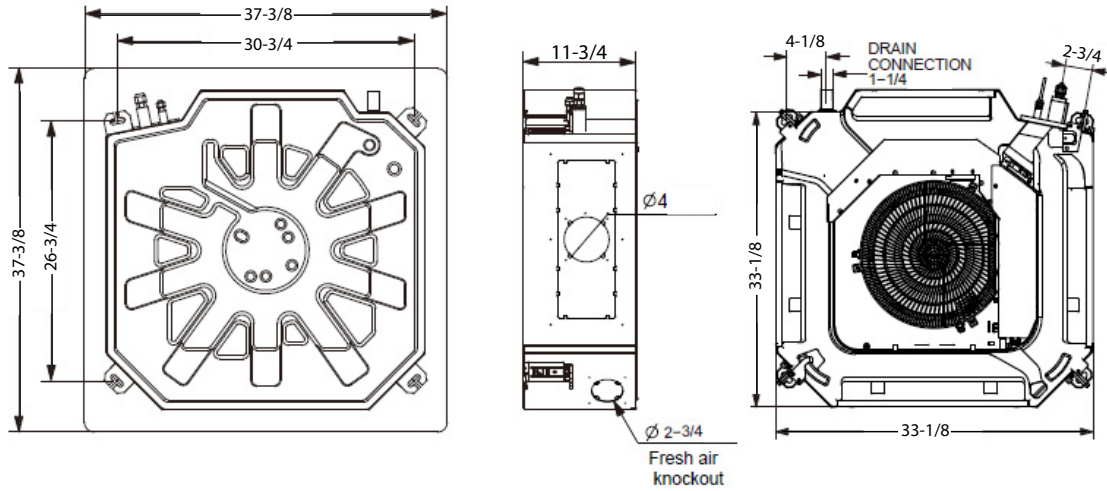
INDOOR UNIT MODEL		40VMF030A--3
PERFORMANCE		
Total Cooling Rated Capacity	Btu/h	30,420
Sensible Cooling Capacity	Btu/h	19,190
Total Heating Rated Capacity	Btu/h	34,000
Airflow (H / M / L)	CFM	950 / 800 / 680
Sound Pressure (H / M / L)	dBA	49.5 / 45.1 / 42.1
ELECTRICAL		
Power Supply	V/Ph/Hz	208-230/1/60
Indoor Fan Motor Power Consumption (Input)	W	131.7
Minimum Circuit Amps (MCA)	A	1.7
Maximum Overcurrent Protection	A	15.0
Motor Type		DC

PHYSICAL DATA		
Pipe Connection Size - Liquid	in.	3/8 (OD)
Pipe Connection Size - Suction	in.	5/8 (OD)
Pipe Connection Size - Drain	in.	1-1/4 (OD)
Refrigerant		R-410A
Unit Width	in.	33-1/8
Unit Height	in.	11-3/4
Unit Depth	in.	33-1/8
Unit Net Weight	lbs.	69
Panel Width	in.	37-3/8
Panel Height	in.	1-3/4
Panel Depth	in.	37-3/8
Panel Net Weight	lbs.	13.2

ACCESSORIES

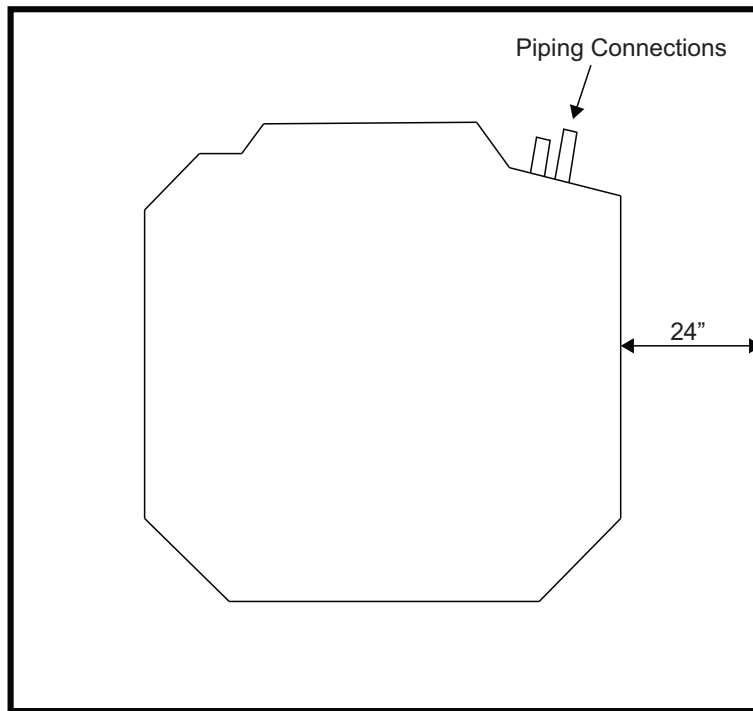
- Wireless Remote Controller 40VM900001
- Wired Remote Controller - Non-Prog. 40VM900012
- Wired Remote Controller - Prog. 40VM900013
- Touch Screen Wired Controller 40VM900005
- Touch Screen Central Controller 40VM900006

DIMENSIONAL DRAWING INDOOR UNIT 4-WAY CASSETTE 40VMF030A--3



Dimensions are shown in inches.

Recommended Service Clearance



Recommended Airflow Clearance

