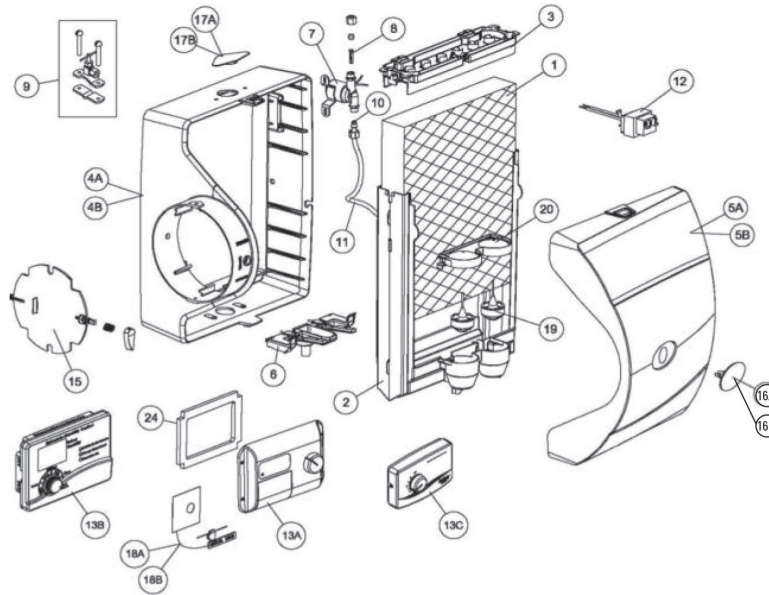


Aprilaire®

Effective Date: April 1, 2017
Revised Date: August 28, 2017

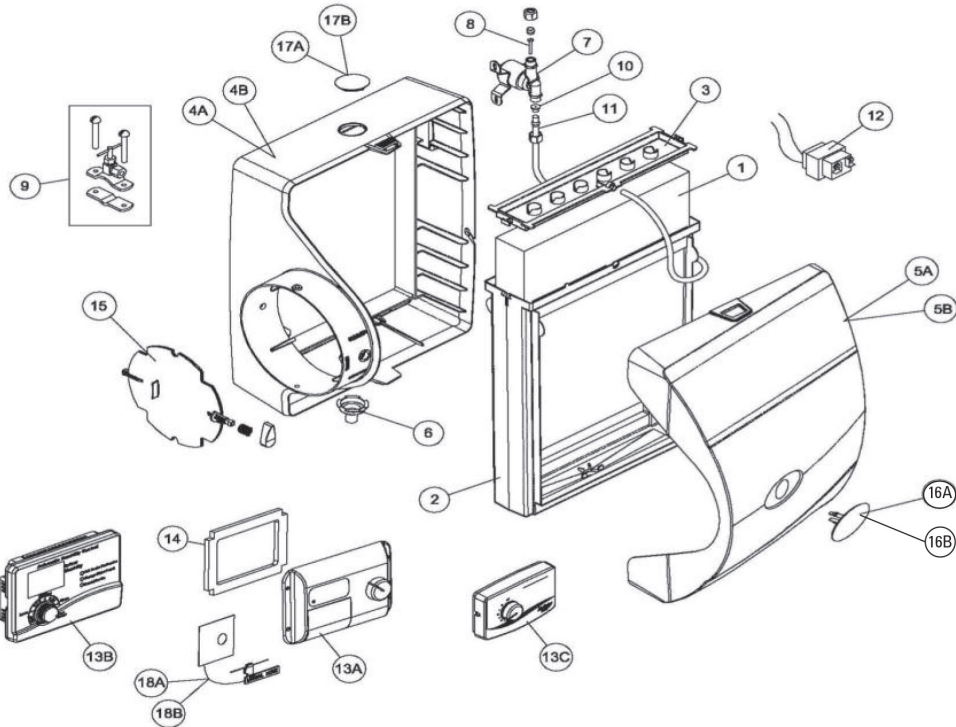
Humidifiers

Model 400/400M Humidifiers



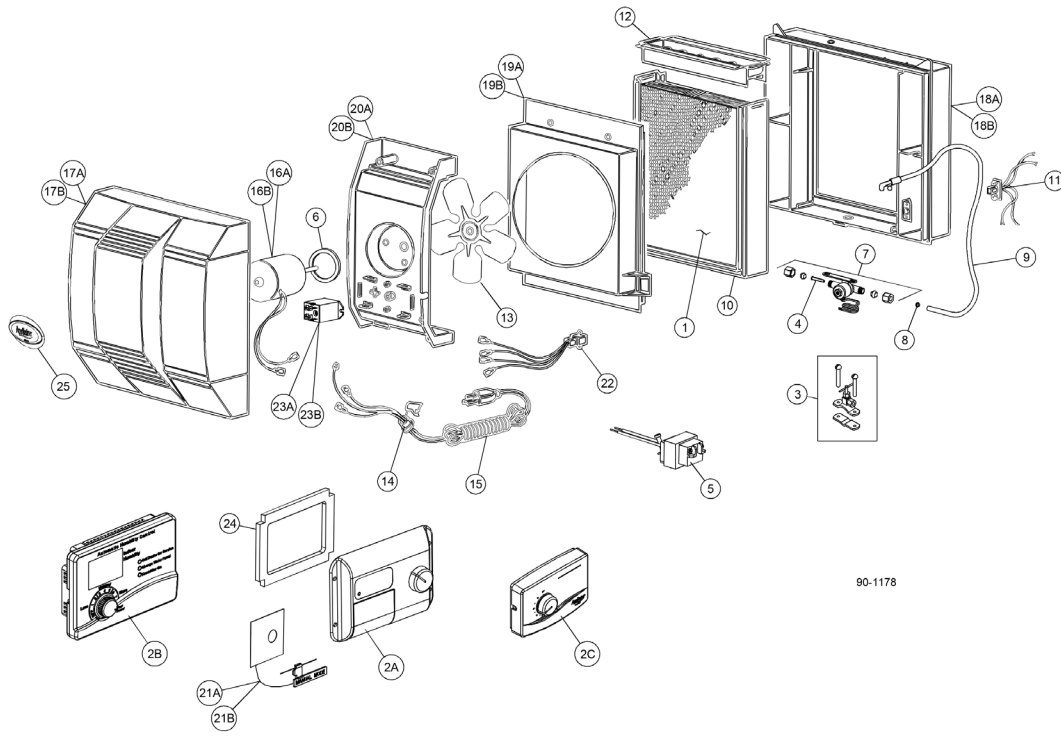
		MODEL 400		MODEL 400M	
NO.	BLUE/GRAY UNITS - PART NAME	QTY/CTN	PART NO.	PART NO.	
4B	Base (blue/gray)	1	4734	4734	
5B	Cover (blue/gray)	1	4728	4728	
13B	Automatic Digital Humidifier Control	1	60	N/A	
16B	Name Plate (blue/gray)	1	4880	4880	
17B	Hole Plug (blue/gray)	1	4741	4741	
18B	Resistor Case & Manual Mode Label	1	4737	N/A	
		MODEL 400		MODEL 400M	
NO.	ALMOND UNITS - PART NAME	QTY/CTN	PART NO.	PART NO.	
4A	Base (almond)	1	4404	N/A	
5A	Cover (almond)	1	4329	N/A	
13A	Automatic Humidifier Control	1	56	N/A	
16A	Name Plate (almond)	1	4409	N/A	
17A	Hole Plug (almond)	1	4408	N/A	
18A	Resistor Case & Manual Mode Label	1	4336	N/A	
NO.	COMMON PARTS	QTY/CTN	PART NO.	PART NO.	
1	Water Panel Evaporator	10 (5-2 pks.)	45	45	
2	Scale Control Insert w/Float Chamber	6	4403	4403	
3	Water Distribution Tray	1	4407	4407	
6	Water Level Sensor Assembly	1	4410	4410	
7	Water Solenoid Valve (24 Volt)	12	4040	4040	
8	In-line Strainer	1	4004	4004	
9	Saddle Valve	144 (12-12 pks.)	4001	4001	
10	Orifice (Yellow)	1	4231	4231	
11	Feed Tube with Strainer, Orifice, Compression Sleeve and Nut	1	4335	4335	
12	Transformer	1	4010	4010	
15	Damper Assembly	1	4332	4332	
19	Float Assembly	1	4406	4406	
20	Float Cover	1	4405	4405	
24	Automatic Humidifier Control Gasket	1	4305	N/A	
NO.	COMMON PARTS	QTY/CTN	PART NO.	PART NO.	
13C	Manual Humidifier Control	1	N/A	4655	
	Outdoor Temperature Sensor	1	8052	N/A	
	Current Sensing Relay	1	50	50	
	Saddle Valve Adapter	6	4229	4229	
	Shock Arrestor	1	4280	4280	
	Maintenance Kits (includes parts 45 (2), 4004, 4403, 4406, 4407, 4335 and 4231)	1	4788	4788	
	Blower Activation Relay	10	4851	4851	

Model 500/500M & 600/600M Humidifiers



		MODEL 500, 500A & 500M		MODEL 600, 600A & 600M	
NO.	BLUE/GRAY UNITS - PART NAME	QTY/CTN	PART NO.	PART NO.	
4B	Base (blue/gray)	1	4730		4731
5B	Cover (blue/gray)	1	4727		4728
13B	Automatic Digital Humidifier Control	1	60		60
16B	Name Plate (blue/gray)	1	4881		4882
17B	Hole Plug (blue/gray)	1	4733		4733
18B	Resistor Case & Manual Mode Label	1	N/A		4737
		MODEL 500, 500A & 500M		MODEL 600, 600A & 600M	
NO.	ALMOND UNITS - PART NAME	QTY/CTN	PART NO.	PART NO.	
4A	Base (almond)	1	4641 (Obsolete replaced by 4730)		4328 (Obsolete replaced by 4731)
5A	Cover (almond)	1	4642		4329 (Obsolete replaced by 4728)
13A	Automatic Humidifier Control	1	56		56
16A	Name Plate (almond)	1	4643		4333
17A	Hole Plug (almond)		Obsolete		
18A	Resistor Case & Manual Mode Label	1	4336		4336
NO.	COMMON PARTS	QTY/CTN	PART NO.	PART NO.	
1	Water Panel [®] Evaporator	10	10		35
2	Scale Control Insert	(4640-10) (4330-8)	4640		4330
3	Water Distribution Tray	1	4331		4331
6	Drain Spud	6	4223		4223
7	Water Solenoid Valve (24 Volt)	1	4040		4040
8	In-Line Strainer	12	4004		4004
9	Saddle Valve	1	4001		4001
10	Orifice (Yellow)	144 (12-12 pks.)	4231		4231
11	Feed Tube with Strainer, Orifice, Compression Sleeve and Nut	1	4335		4335
12	Transformer	1	4010		4010
14	Automatic Humidifier Control Gasket	1	N/A		4305
15	Damper Assembly	1	4332		4332
16	Name Plate	1	4643		4333
NO.	COMMON PARTS	QTY/CTN	PART NO.	PART NO.	
13C	Manual Humidifier Control	1	4655		4655
	Outdoor Temperature Sensor (only available for automatic units)	1	8052		8052
	Current Sensing Relay	1	50		50
	Saddle Valve Adapter	6	4229		4229
	Shock Arrestor	1	4280		4280
	Maintenance Kits (includes parts 10, 4335, 4231, 4004, 4640, 4331 and 4223)	1	4792		N/A
	Maintenance Kits (includes parts 35, 4335, 4231, 4004, 4330, 4331 and 4223)	1	N/A		4839
	Blower Activation Relay	10	4851		4851

Model 700/700M, 768¹, 760A¹ & 760¹ Humidifiers



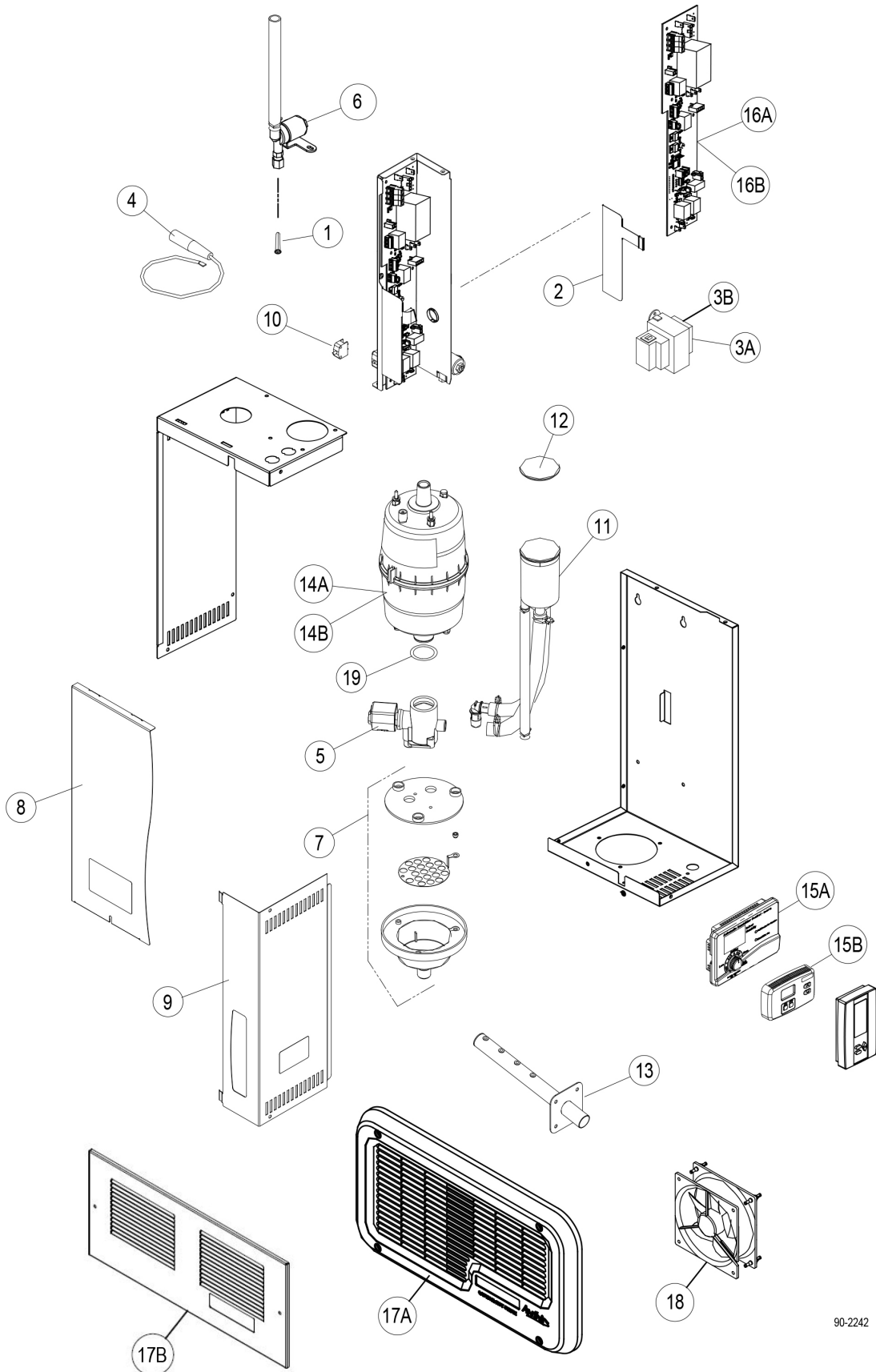
90-1178

NO.	BLUE/GRAY UNITS - PART NAME	QTY/CTN	MODEL 700	MODEL 700M
			PART NO.	PART NO.
2B	Automatic Digital Humidifier Control	1	60	N/A
5	Transformer	1	4010	4010
16B	Motor (Blue/Gray)	1	4670	4670
17B	Cover (Blue/Gray)	1	4729	4729
18B	Base (Blue/Gray)	1	4732	4732
19B	Orifice Plate (Blue/Gray)	1	4735	4735
20B	Bridge	1	4736	4736
21B	Resistor Case & Manual Mode Label	1	4737	N/A
22B	Female Disconnect Assembly	1	4739	4739
23B	Relay	1	4740	4740
			MODEL 700	MODEL 700, 768, 760A, 760
NO.	ALMOND UNITS - PART NAME	QTY/CTN	MODEL 700	MODEL 700, 768, 760A, 760
			PART NO.	PART NO.
2A	Automatic Humidifier Control	1	N/A	56
16A	Motor (Almond)	1	N/A	4237
17A	Cover (Almond)	1	N/A	4242 (Obsolete replaced by 4729)
18A	Base (Almond)	1	N/A	4245 (Obsolete replaced by 4732)
19A	Orifice Plate (Almond)	1	N/A	4244 (Obsolete replaced by 4735)
20A	Bridge	1	N/A	4243 (Obsolete replaced by 4736)
21A	Resistor Case & Manual Mode Label	1	N/A	4336
22A	Female Disconnect Assembly	1	N/A	4239
23A	Circuit Board	1	N/A	4238
24	Automatic Humidifier Control Gasket	1	N/A	4305
NO.	COMMON PARTS	QTY/CTN	MODEL 700	MODEL 700, 768, 760A, 760
			PART NO.	PART NO.
1	Water Panel ¹ Evaporator	10	35	35
3	Saddle Valve	1	4001	4001
4	In-line Strainer	12	4004	4004
6	Cork Isolator	6	4031	4031
7	Water Solenoid Valve (24 Volts)	1	4040	4040
8	Orifice (Blue)	144 (12-12 pks.)	4232	4232
9	Feed Tube with Strainer, Orifice, Compression Sleeve and Nut	1	4235	4235
10	Scale Control Insert	12	4236	4236
11	Male Disconnect Assembly	1	4240	4240
12	Water Distribution Tray	1	4246	4246
13	Fan Blade	1	4247	4247
14	Electrical Grommet	1	4249	4249
15	Power Cord (Blue/Gray)	1	4664	4664
25	Name Plate Assembly	1	4968	4968
NO.	COMMON PARTS	QTY/CTN	MODEL 700	MODEL 700, 768, 760A, 760
			PART NO.	PART NO.
2C	Manual Humidifier Control	1	N/A	4655
	Outdoor Temperature Sensor (only available for automatic units)	1	8052	8052
	Current Sensing Relay	1	50	50
	Saddle Valve Adapter	6	4229	4229
	Shock Arrestor	1	4280	4280
	Maintenance Kits (includes parts 35, 4236, 4235, 4246, 4232 and 4004)	1	4750	4750
	Blower Activation Relay	10	4851	4851

¹Full units no longer available, parts only.

Model 800(LC)/801/865/866 Residential Steam Humidifiers

(Release Date of Model 800/865 after November 2014)



Model 800(LC)/801/865/866 Residential Steam Humidifiers

(Release Date of Model 800/865 after November 2014)

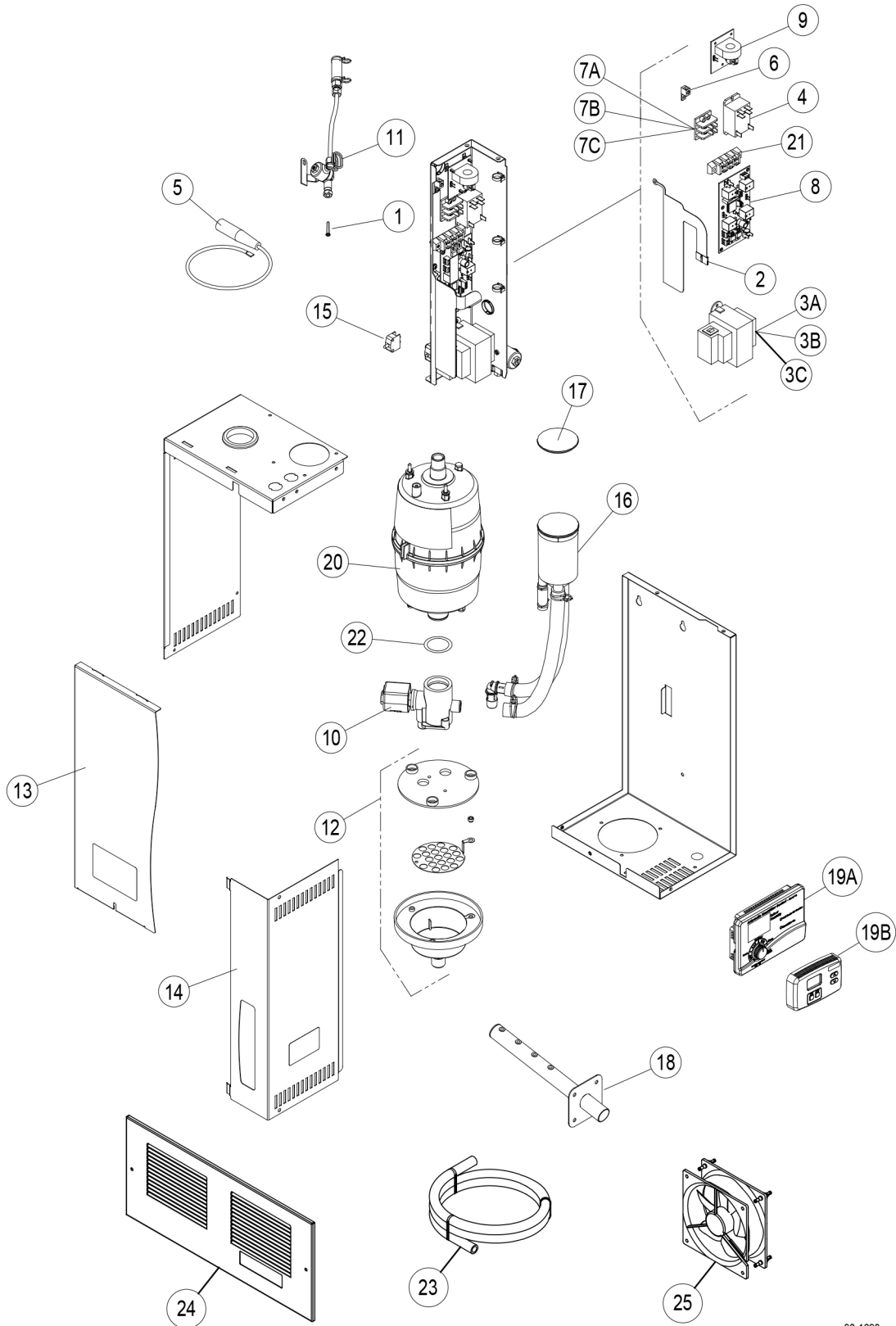
NO.	PART NAME	QTY/CTN	PART NO.
1	Fill Valve In-line Strainer	12	4004
2	Membrane Switch	1	5532
3A	Transformer, Universal for Model 865, 866 (75 VA)	1	5306
3B	Universal Transformer, Model 800, 801 (40 VA)	1	5529
4	Electrode Wire	1	4978
5	Drain Valve	1	4983
6	Inlet Fill Valve, Water Feed Tube and Clamps	1	5531
7	Drain Cup Assembly	1	4985
8	Front Panel and Screw	1	4986
9	Electrical Access Panel and Screw	1	4987
10	Safety Interlock Switch	1	4988
11	Fill Cup and Hoses	1	5590
12	Fill Cup Cap	1	4990
13	Steam Dispersion Tube and Screws	1	4991
14A	Steam Canister and O-Ring	6	80
14B	Steam Canister and O-Ring for Model 800LC	6	80LC
15A	Automatic digital Control for Model 800	1	62
15B	Digital Manual Humidistat (Wall Mounted)	1	65
15C	Automatic Digital Modulating control (ADMC) for Model 801	1	63
15D	Automatic Digital Modulating control (ADMC) for Model 866	1	5558
16A	Control Board, Model 800, 865	1	5530
16B	Modulating Control board, Model 801, 866	1	5554
17A	Fan Pack Grille, Plastic	1	5662
17B	Fan Pack Grille, Metal	1	4998
18	Fan Pack Fan	1	4999
19	O-Ring for Steam Canister	6	5258
OTHER PARTS			
	Saddle Valve	1	4001
	Drain Trap Assembly	1	4028
	Airflow Proving Switch	1	4592
	High Humidity Limit Switch	1	4594
	Relay, ADHC	1	4851
	Condensate Pump (Rated for 160°F)	1	4856
	Steam Hose (6ft) and Clamps	1	4973
	Drain Hose (10 ft.) and Clamps	1	4974
	Duct Sensor, Used with Model 63 Only	1	5559
	Dispersion Tube Mounting Bracket for 8" Round Hi-Velocity Duct	1	5405
	Condensate Tubing with Wire Ties	1	4997
	Fan Pack includes 75VA transformer and Model 65 control. Part No. 4028 drain trap assembly sold separately.	1	5658

Competitive Canister/Cylinder

PART NAME	QTY/CTN	PART NO.
Honeywell® HM700ACYL2 and Nortec® 202 Replacement Steam Humidifier Cylinder	1	202AAC
Nortec® 204 Replacement Steam Humidifier Cylinder	1	204AAC
Nortec® 303 Replacement Steam Humidifier Cylinder	1	303AAC
Nortec® 311 Replacement Steam Humidifier Cylinder	1	311AAC
Nortec® 321 Replacement Steam Humidifier Cylinder	1	321AAC
Nortec® 411 Replacement Steam Humidifier Cylinder	1	411AAC
Nortec® 421 Replacement Steam Humidifier Cylinder	1	421AAC
Nortec® 605 Replacement Steam Humidifier Cylinder	1	605AAC
Nortec® 607 Replacement Steam Humidifier Cylinder	1	607AAC
Nortec® 621 Replacement Steam Humidifier Cylinder	1	621AAC

Model 800/865 Residential Steam Humidifiers

(Release Date Before November 2014)³



Model 800/865 Residential Steam Humidifiers

(Release Date Before November 2014)³

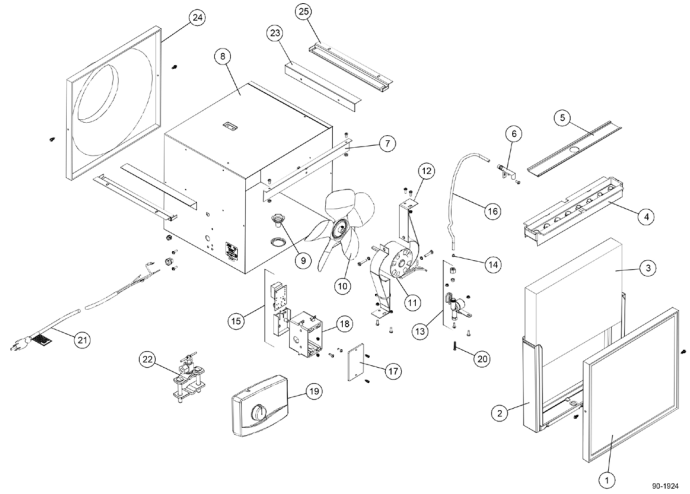
NO.	COMMON PARTS	QTY/CTN	PART NO.
1	Fill Valve In-line Strainer	12	4004
2	Membrane Switch	1	4975
3A	Transformer, 120/24 VAC for 11.5 amp unit ² & fill valve contained within housing	1	4976
3B	Transformer, Universal for Model 865 with fill valve inlet extending from bottom of housing (75 VA)	1	5306
3C	Transformer, Universal for Model 800 with fill valve inlet extending from bottom of housing (40 VA)	1	5529
4	Power Relay	1	4977
5	Electrode Wire	1	4978
6	Ground Lug	1	4979
7A	Input Power Terminal Block 3-post for 11.5 amp unit ² and fill valve contained within housing	1	4980
7B	Input Power Terminal Block 2-post for 11.5 amp unit ² and fill valve inlet extending from bottom of housing	1	5307
7C	Input Power Terminal Block 2-post for 11.5/16.0 amp unit ²	1	5354
8	Internal Control Circuit Board	1	4981
9	Current Sensing Circuit Board	1	4982
10	Drain Valve	1	4983
11	Inlet Fill Valve, Water Feed Tube and Clamps	1	5531
12	Drain Cup Assembly	1	4985
13	Front Panel and Screw	1	4986
14	Electrical Access Panel and Screw	1	4987
15	Safety Interlock Switch	1	4988
16	Fill Cup and Hoses	1	4989
17	Fill Cup Cap	1	4990
18	Steam Dispersion Tube and Screws	1	4991
19A	Automatic Digital Control	1	62
19B	Digital Manual Control (Wall Mounted)	1	65
20	Steam Canister and O-Ring	6	80
21	Transformer terminal block for unit with fill valve inlet extending from bottom of housing	1	5308
22	O-Ring for Steam Canister	6	5258
23	Condensate Tubing with Wire Ties	1	4997
24	Grille	1	4998
25	Fan	1	4999
OTHER PARTS			
	Saddle Valve	1	4001
	Drain Trap Assembly	1	4028
	Manual Humidistat and Blower Activation Relay	1	4993
	Airflow Proving Switch	1	4592
	High Humidity Limit Switch	1	4594
	Condensate Pump (Rated for 160°F)	1	4856
	Steam Hose (6 ft) and Clamps	1	4973
	Drain Hose (10 ft) and Clamps	1	4974
	Dispersion Tube Mounting Bracket for 8" Round Hi-Velocity Duct	1	5405

²See data label on side of humidifier to determine if unit draws 11.5 amps or 11.5/16.0 amps.

³Full units of Models 800 & 865 with a release date before November 2014 no longer available, parts only.

Model 350 Humidifiers

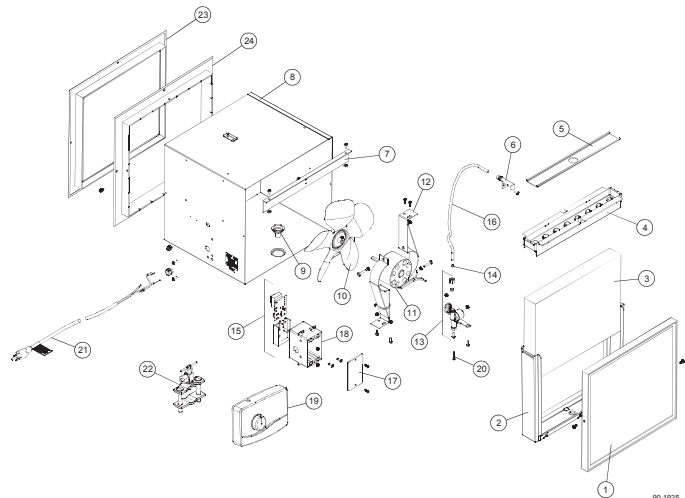
NO.	COMMON PARTS	QTY/CTN	PART NO.
1	Inlet Frame Almond	1	4206
	Inlet Frame Gray	1	4852
2	Scale Control Insert	12	4181
3	Water Panel® Evaporator	10	35
4	Distribution Tray	1	4182
5	Distribution Tray Cover	1	4183
6	Nozzle	1	4184
7	Baffle	1	4185
8	Housing Almond	1	4186
	Housing Gray	1	4858
9	Drain Spud	1	4187
10	Fan Blade	1	4188
11	Motor	1 Set	4189
12	Motor Brackets	1	4190
13	Solenoid Valve (Plastic Junction Box)	144 (12-12 pks.)	4191
14	Orifice (Blue)	1	4232
15	120 Volt Humidifier Control - Replaces 4013	1	4258
16	Feed Tube with Strainer, Orifice, Compression Sleeve and Nut	1	4079
17A	Junction Box Cover	1	4193
18	Junction Box	1	4194
19	Humidistat	1	4655
20	In-Line Strainer	12	4004
21	Power Cord	1	4286
22	Saddle Valve	1	4001
23	Angle Support Almond	2	4813
	Angle Support Gray	2	4875
24	Outlet Transition Almond	1	4201
	Outlet Transition Gray	1	4854
25	Joist Bracket Almond	2	4202
	Joist Bracket Gray	2	4874
OTHER PARTS			
	Screws and Clips Almond	1	4203
	Screws and Clips Gray	1	4850
	Saddle Valve Adapter	6	4229
	Shock Arrestor	1	4280



90-1924

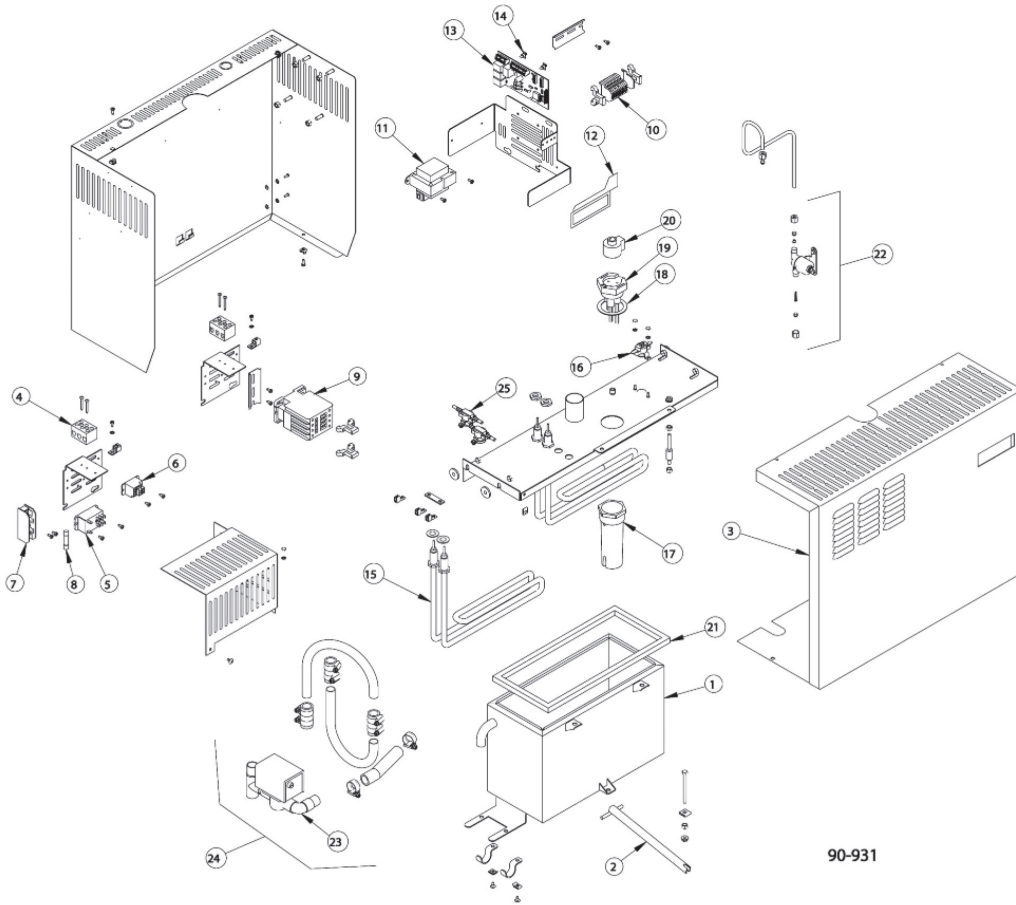
Model 360 Humidifiers

NO.	COMMON PARTS	QTY/CTN	PART NO.
1	Inlet Frame Almond	1	4206
	Inlet Frame Gray	1	4852
2	Scale Control Insert	12	4181
3	Water Panel® Evaporator	10	35
4	Distribution Tray	1	4182
5	Distribution Tray Cover	1	4183
6	Nozzle	1	4184
7	Baffle	1	4185
8	Housing Almond	1	4198
	Housing Gray	1	4858
9	Drain Spud	1	4187
10	Fan Blade	1	4215
11	Motor	1	4199
12	Motor Brackets	1 Set	4190
13	Solenoid Valve (Plastic Junction Box)	1	4191
14	Orifice (Blue)	144 (12-12 pks.)	4232
15	120 Volt Humidifier Control - Replaces 4013	1	4258
16	Feed Tube with Strainer, Orifice, Compression Sleeve and Nut	1	4079
17A	Junction Box Cover	1	4193
18	Junction Box	1	4194
19	Humidistat	1	4655
20	In-Line Strainer	12	4004
21	Power Cord	1	4286
22	Saddle Valve	1	4001
23	Outlet Grille Almond	1	4204
	Outlet Grille Gray	1	4859
24	Inlet Wall Frame Almond	1	4205
	Inlet Wall Frame Gray	1	4860
OTHER PARTS			
	Screws and Clips Almond	1	4203
	Screws and Clips Gray	1	4850
	Saddle Valve Adapter	6	4229
	Shock Arrestor	1	4280



90-1925

Model 1150', 1160' & 1180' Steam Humidifiers



90-931

NO.	PART NAME	QTY/CTN	PART NO.
1	Steam Chamber, 1150	1	4560
	Steam Chamber, 1160	1	4561
	Steam Chamber, 1180	1	4627
2	Quick Release Handle, 1150	1	4562
	Quick Release Handle, 1160	1	4563
	Quick Release Handle, 1180	1	4628
3	Cover 1150 & 1160	1	4564
	Cover 1180	1	4629
4	Terminal Block	1	4565
5	Relay, AC Safety (1150)	1	4566
6	Relay, DC Control (1150)	1	4567
7	Fuse Holder (1150)	1	4568
8	Fuse, 25 Amp (1150)	1	4569
9	Contactors (1160 & 1180)	1	4570
10	Terminal	1	4571
11	Transformer	1	4572
12	Overlay & Switch	1	4573
13	Internal Control Board	1	4574
14	Standoff	1	4575
15	Heater (1150 & 1160)	1	4576
	Heater (1180)	1	4630
16	Over-Temperature Thermostat	1	4577
17	Probe Housing	1	4578

NO.	PART NAME	QTY/CTN	PART NO.
18	Water Level Probe Gasket	1	4579
19	Water Level Probe Assy	1	4580
20	Plug	1	4581
21	Gasket, 1150 Steam Chamber	1	4582
	Gasket, 1160 Steam Chamber	1	4583
	Gasket, 1180 Steam Chamber	1	4631
22	Fill Valve	1	4584
23	Drain Valve	1	4585
24	Drain Assy	1	4587
25	Thermal Cutout	1	4595
OTHER PARTS			
	Wiring Harness	1	4637
	Hose, 1-1/2" Dia. (1150 & 1160)	1	4588
	Hose, 2" Dia. (1180)	1	4632
	Distribution Tube, 1-1/2" Dia x 10" (1150)	1	4589
	Distribution Tube, 1-1/2" Dia x 16" (1160)	1	4590
	Distribution Tube, 2" Dia x 28" (1180)	1	4633
	Duct Plate (1150 & 1160)	1	4591
	Duct Plate (1180)	1	4636
	Airflow Switch	1	4592
	Automatic Steam Humidifier Control	1	57
	Hanging Bracket	1	4593
	High Humidity Limit Switch	1	4594

*Full units no longer available, parts only.

We reserved the right to make modifications as deemed necessary in line with our policy to continue supplying the finest equipment available. All prices are F.O.B. Poynette, WI, and subject to change without notice. Orders may be sent via EDI, Fax, email (purchaseorders@aprilair.com), Mail or Phone. If EDI, call us for initial Setup.



P.O. Box 1467
 Madison, WI 53701-1467
 Phone: 800/334-6011 • Fax: 608/257-4357