

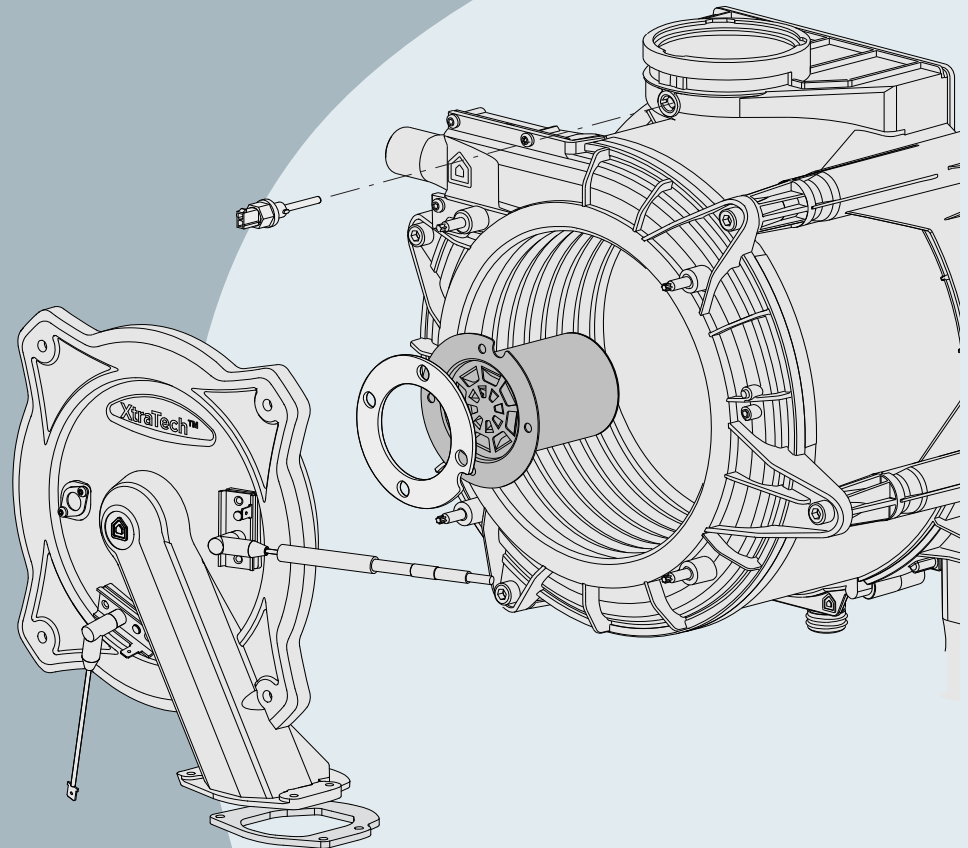


# TRX SERIES II

## Residential Condensing Gas Boiler

### SPARE PARTS EXPLODED VIEW

TRX085  
TRX120  
TRX110C  
TRX150C models



#### NOTICE

The manufacturer reserves the right to make product changes or updates without notice and will not be held liable for typographical errors in literature.

The surfaces of these products contacted by potable (consumable) water contain less than 0.25% lead by weight as required by the Safe Drinking Water Act, Section 1417.

#### DANGER

**THIS MANUAL MUST ONLY BE USED BY A QUALIFIED INSTALLER / SERVICE TECHNICIAN. READ ALL INSTRUCTIONS IN THIS MANUAL BEFORE INSTALLING. PERFORM STEPS IN THE GIVEN ORDER. FAILURE TO DO SO COULD RESULT IN SUBSTANTIAL PROPERTY DAMAGE, SEVERE PERSONAL INJURY, OR DEATH.**

#### WARNING

Improper installation, adjustment, alteration, service, or maintenance could void product warranty and cause property damage, severe personal injury, or death.

**California Proposition 65 Warning: This product contains chemicals known to the State of California to cause cancer, birth defects, or other reproductive harm.**



# SPARE PARTS EXPLODED VIEW GAS-WALL CONDENSING BOILERS

Model

**TRX 085-150 (C).**

---

R8219217-01 - 29/01/2024

---

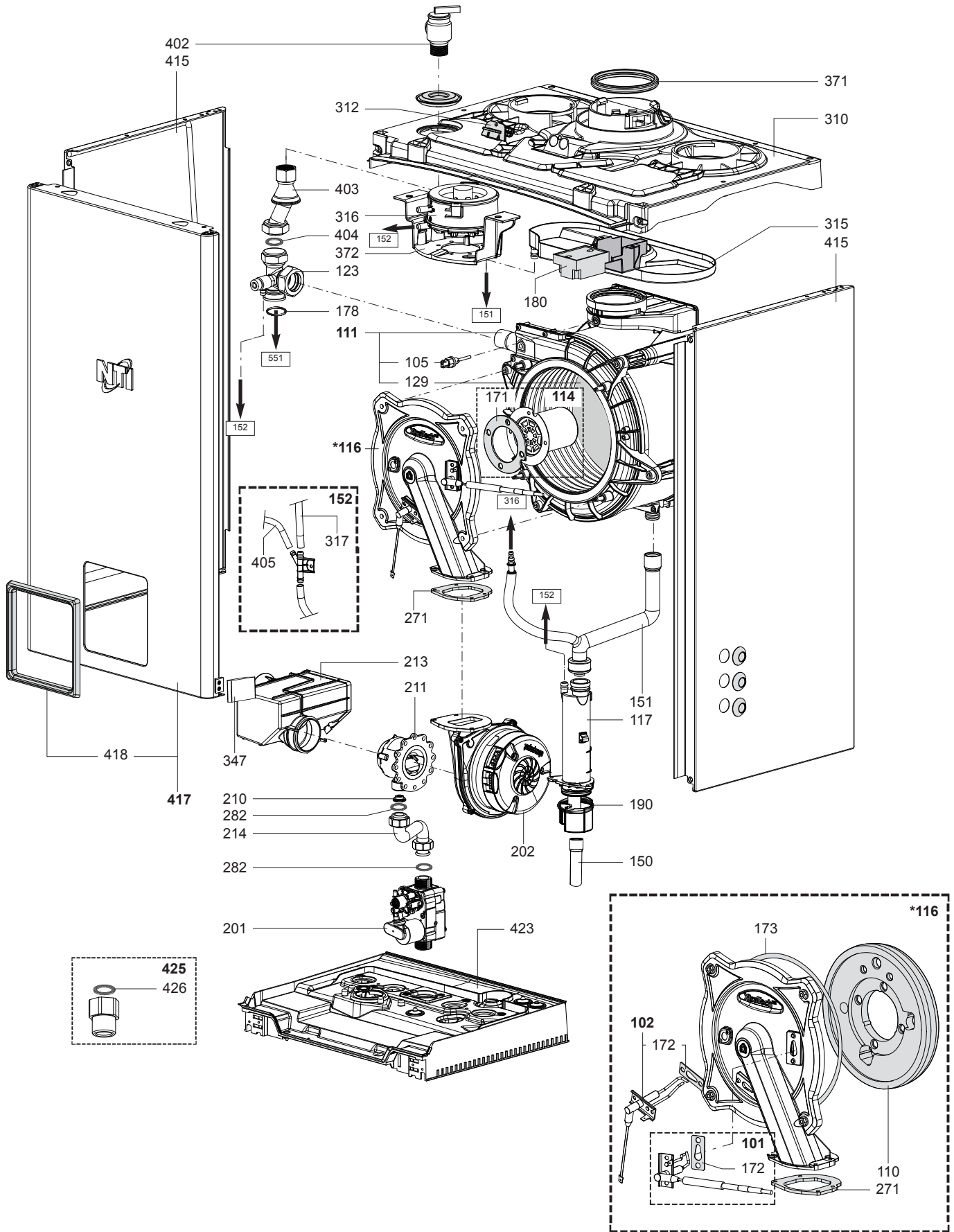
<b>1</b>	3314216	TRX085.	02-2024	-
<b>2</b>	3314217	TRX110C.	02-2024	-
<b>3</b>	3314218	TRX120.	02-2024	-
<b>4</b>	3314219	TRX150C.	02-2024	-

---

Col	Reference	Model type	Begin	End
-----	-----------	------------	-------	-----

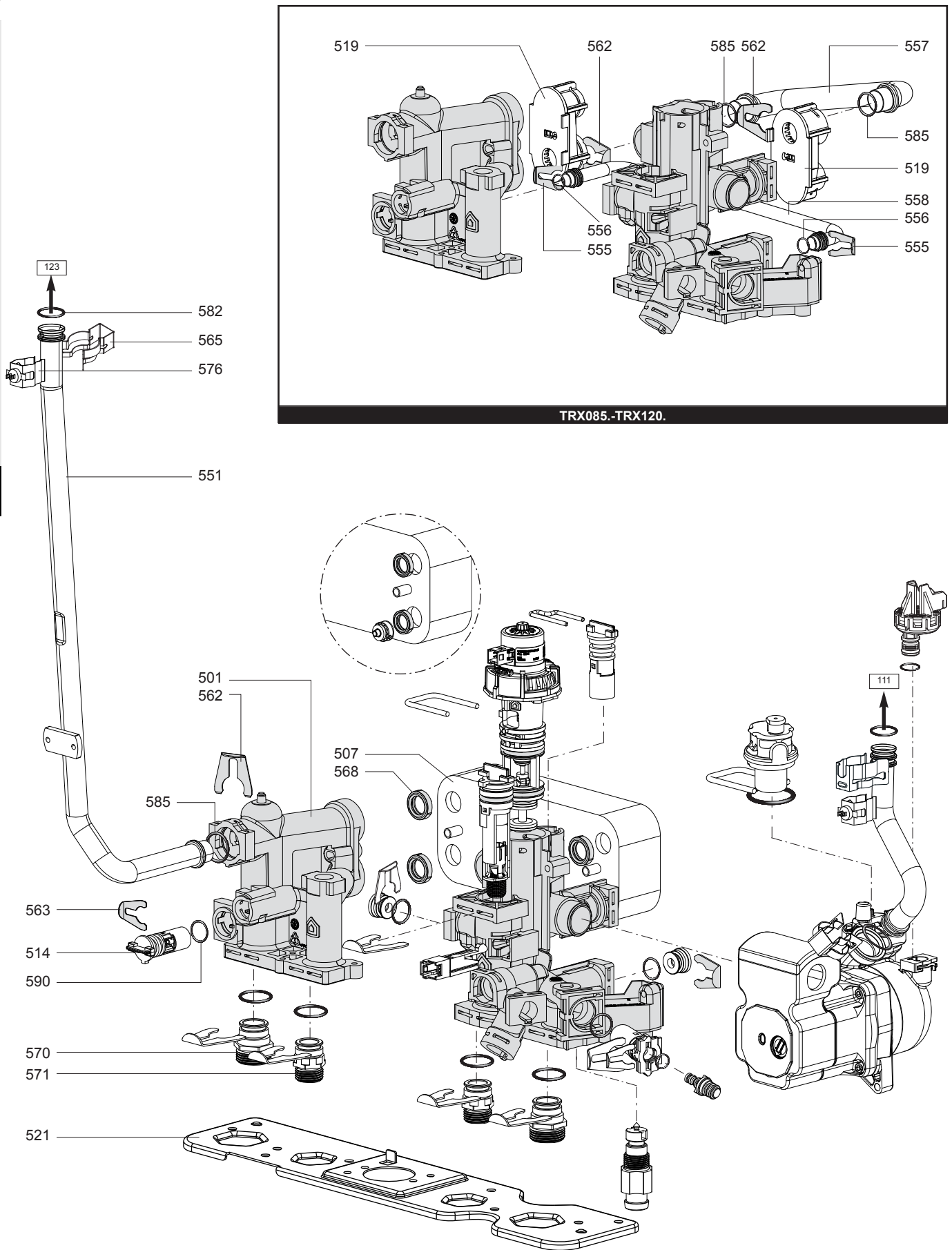
---

300  
400



# Replacement parts

☞	Description	Manf. Pt. N	Type																			
				1	2	3	4	5	6	7	8	9	10	11	12	13	14	15	16	17	18	From
<b>0100</b>	<b>BURNER ASSEMBLY</b>																					
0101	IGNITION ELECTRODE	64980787		●	●	●	●															
0102	DETECTION ELECTRODE	64980788		●	●	●	●															
0105	SMOKE PROBE 10K D4X39	65118667		●	●	●	●															
0110	INSULATION (BURNER DOOR)	65118694		●	●	●	●															
0111	HEAT EXCHANGER 120/150C	65118715					●	●														
	HEAT EXCHANGER 85/110C	65118671		●	●																	
0114	BURNER 24KW	65116596		●																		
	BURNER 30kW	65116603			●																	
	BURNER 35KW	65116604				●	●															
0116	DOOR ASSY	65118690		●	●	●	●															
0117	CONDENSATE DRAIN TRAP	65117391		●	●	●	●															
0123	AIR VENT	64980289		●	●	●	●															
0129	PANEL (INSULATION - REAR)	65116047		●	●	●	●															
0150	CONDENSATE DRAIN HOSE D:19 L:500	60000976		●	●	●	●															
0151	CONDENSATE COLLECTION PIPE	65118670		●	●	●	●															
0152	Y CONNECTION + PIPES	65119326		●	●	●	●															
0171	BURNER GASKET	65116521		●	●	●	●															
0172	ELECTRODE GASKET	64980262		●	●	●	●															
0173	DOOR GASKET	60000623		●	●	●	●															
0178	O-RING 17.86X2.62	61308091		●	●	●	●															
0180	SPARK GENERATOR	65119323		●	●	●	●															
0182	SUPPORT (SPARK GENERATOR)	6500640400		●	●	●	●															
0190	O-RING 41.6X2.4	65118686		●	●	●	●															
<b>0200</b>	<b>GAS SECTION</b>																					
0201	GAS VALVE, HONEYWELL KV4205	65118645		●	●	●	●															
0202	FAN/COMBUSTION BLOWER	64980120		●	●	●	●															
0210	GAS DIAPHRAGM D: 6.40 (LP)	60001923		●																		
	GAS DIAPHRAGM D: 6.90	60001924			●																	
	GAS DIAPHRAGM D: 8.5 (NG)	65118713				●	●															
	GAS RESTRICTOR D: 5,5	65118689		●	●																	
	GAS RESTRICTOR D: 6	65118718				●	●															
0211	MIXER 085/85WBN LP	65118688-01		●																		
	MIXER 085/85WBN NG	65118669		●																		
	MIXER 110C/120WCN NG	65118722			●																	
	MIXER 120-150C/120 WBN-WCN LP	65118717-01				●	●															
	MIXER 120-150C/120 WBN-WCN NG	65118712				●	●															
	MIXER 85/120WCN LP	65118724-01			●																	
0213	SILENCER	65113062		●	●	●	●															
0214	GAS PIPE	65118668		●	●																	
	GAS PIPE	65118714				●	●															
0271	FAN GASKET FOR 085-150	64980240		●	●	●	●															
0282	GASKET D:24-18.2-1.5	60022835-01		●	●	●	●															
<b>0300</b>	<b>TOP PANEL ASSEMBLY</b>																					
0310	CASE COVER ASSY	65119579		●	●	●	●															
0312	FLUE TEST PORT PLUG	65104295-01		●	●	●	●															
0315	SPLASH PREVENTER	65119783		●	●	●	●															
0316	AIR PRESSURE SWITCH	65118678		●	●	●	●															
0317	PIPE (CONDENSATE AIR PRESSURE SWITCH)	65119086		●	●	●	●															
0347	HANDLE DOOR KEEPER	6500605500		●	●	●	●															
0371	FLUE COLLAR GASKET	65118682		●	●	●	●															
0372	SUPPORT (AIR PRESSURE SWITCH)	65118680		●	●	●	●															
<b>0400</b>	<b>SEALED CASE</b>																					
0402	PRESSURE RELIEF VALVE	65118683		●	●	●	●															
0403	PIPE (PRESSURE RELIEF VALVE)	65119083		●	●	●	●															
0404	WATER/GAS GASKET 1 INCH	569387		●	●	●	●															
0405	SILICONE PIPE D:8 L:330	65116520		●	●	●	●															
0415	SIDE PANELS LEFT + RIGHT	6500605400		●	●	●	●															
0417	CASE PANEL (FRONT) Step 1	6500605200		●	●	●	●															
0418	BEZEL	6500605300		●	●	●	●															
0423	BOTTOM PANEL	65119082		●	●	●	●															
0425	GAS ADAPTER (3/4" NPT)"	64980285		●	●	●	●															

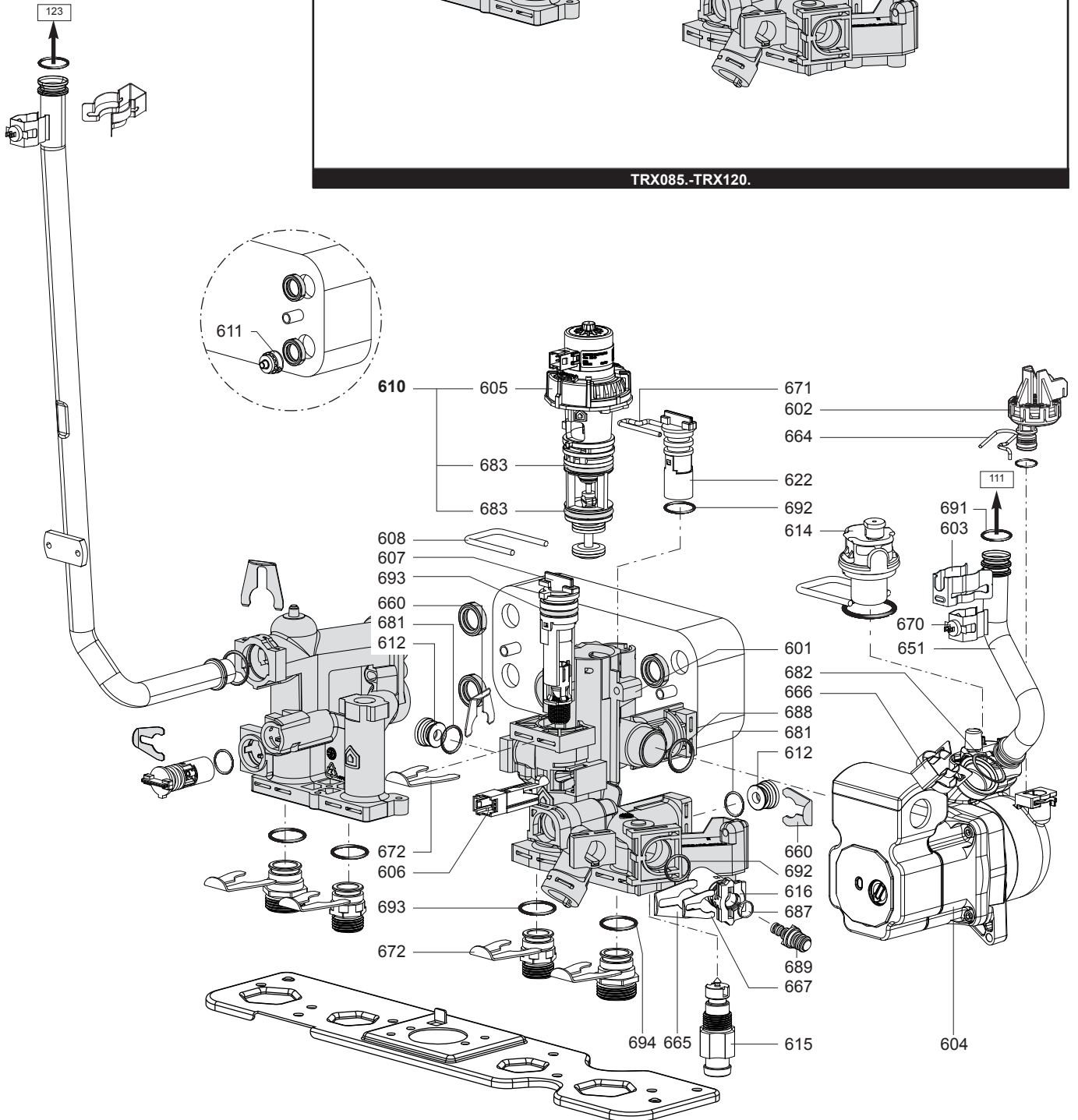
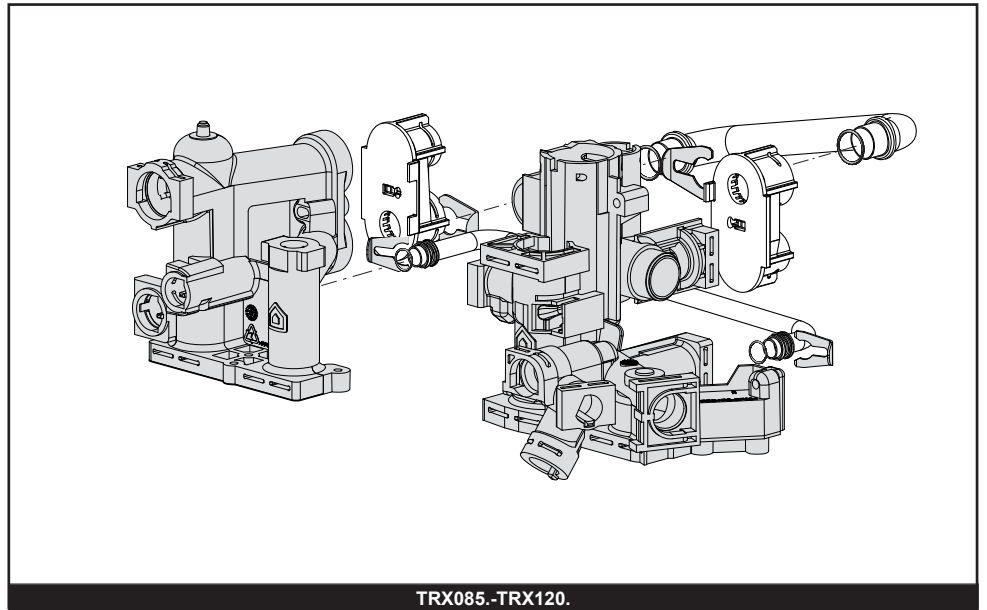


# Replacement parts

☰	Description	Manf. Pt. N	Type															From to			
				1	2	3	4	5	6	7	8	9	10	11	12	13	14	15	16	17	18
0500	<b>FLOW GROUP</b>																				
0501	FLOW GROUP	65118664-01		•		•															
	FLOW GROUP	65118720				•	•														
0507	SANITARY HEAT EXCHANGER (16 P.)	65116537				•		•													
0514	BY-PASS VALVE	65117089		•			•														
0519	INTERFACE 'SYSTEM +' OPEN	60001365		•			•														
0521	HYDRAULIC GROUP SUPPORT	65119440		•	•	•	•														
0551	PIPE (C.H. FLOW)	6500606000		•	•																
	PIPE (C.H. FLOW)	6500609900					•	•													
0555	CLIP D:10	65104260		•			•														
0556	O-RING 8.9X2.7	61009834-14		•			•														
0557	PIPE (D.H.W.RETURN)	65115935		•			•														
0558	BY-PASS PIPE	65122275		•			•														
0562	CLIP D:18	65104259		•	•	•	•														
0563	CLIP D:12	65114932		•	•	•	•														
0565	CLIP	60000309		•	•	•	•														
0568	EXCHANGER GASKET	65114928		•	•	•	•														
0570	CH ADAPTER 3/4	65114929		•	•	•	•														
0571	DHW ADAPTER 1/2	65114930		•	•	•	•														
0576	TEMPERATURE PROBE + CLIP	990686-01		•	•	•	•														
0582	O-RING 17.86X2.62	61308091		•	•	•	•														
0585	O-RING 17.04X3.53	65104262		•			•														
0590	O-RING 11.91X2.62	65114940		•	•	•	•														

TRX085  
 TRX110C  
 TRX20  
 TRX180C

31



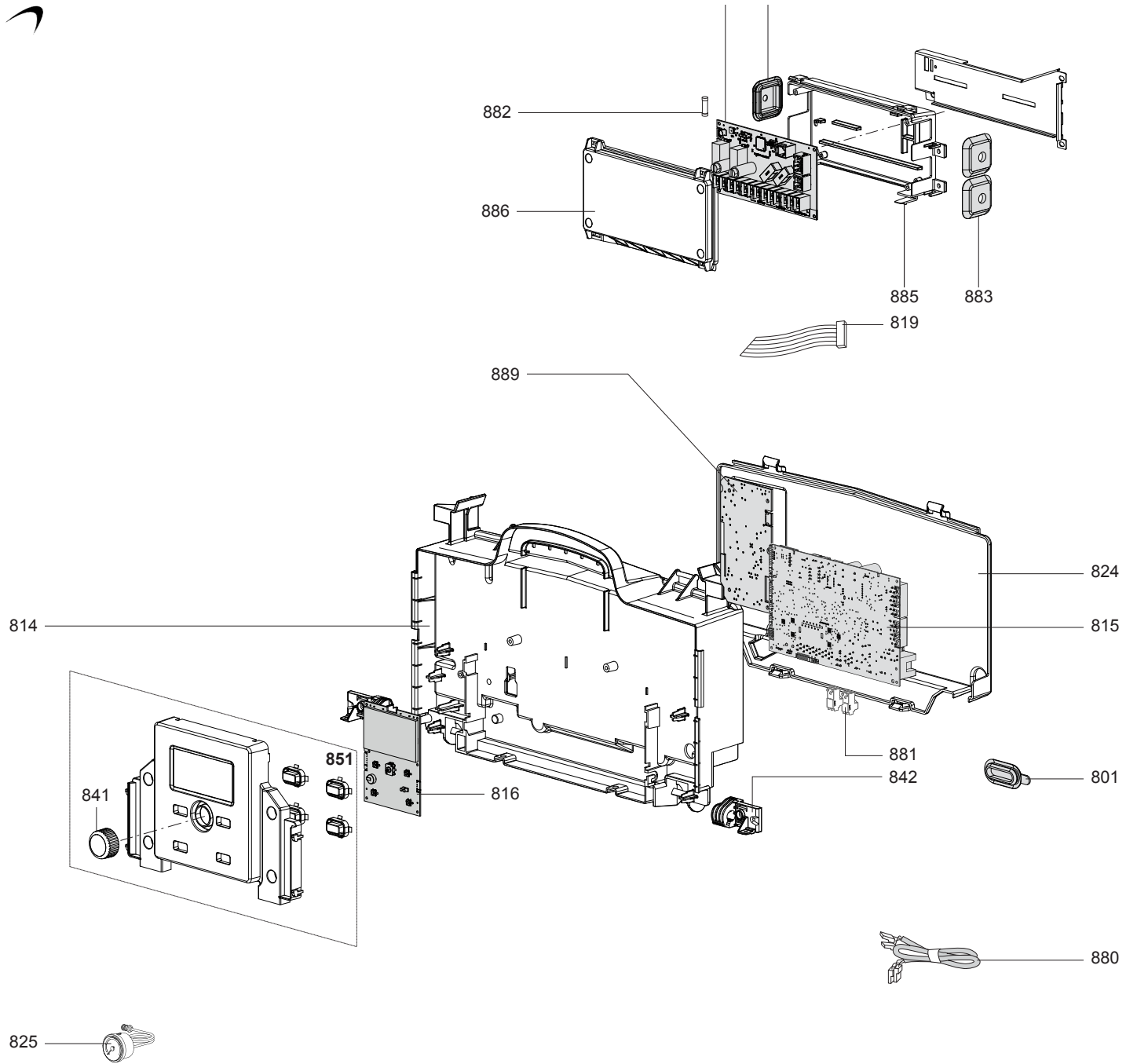
# Replacement parts

☺	Description	Manf. Pt. N	Type																										
				1	2	3	4	5	6	7	8	9	10	11	12	13	14	15	16	17	18	From	to						
0600	RETURN GROUP																												
0601	RETURN GROUP	65118665-01		•	•																								
	RETURN GROUP	65118721			•	•																							
0602	PRESSURE SWITCH (PROPORTIONAL)	65115793		•	•	•	•																						
0603	CLIP	61307589		•	•	•	•																						
0604	TACO PUMP HIGH EFFICIENCY	65118666		•	•	•	•																						
0605	MOTOR (3-WAY VALVE)	65114936		•	•	•	•																						
0606	SENSOR (REED)	65114921-01			•	•																							
0607	FLOW METER	65114919			•	•																							
0608	CLIP	65114927		•	•	•	•																						
0610	MOTOR + SPRING 3 WAY VALVE KIT	65114924		•	•	•	•																						
0611	RIDUCTORS (KIT)	6500610800			•	•																							
0612	PLUG	65114920		•	•	•	•																						
0614	AUTO AIR VENT TACO ENER+	65112086		•	•	•	•																						
0615	DRAIN COCK	65114922		•	•	•	•																						
0616	WATER FILTER	65114923		•	•	•	•																						
0622	BY-PASS VALVE	65117089			•	•	•																						
0651	PIPE (C.H. RETURN)	65116543		•	•	•	•																						
0660	CLIP D:10	65114933		•	•	•	•																						
0664	CLIP	65104322		•	•	•	•																						
0665	CLIP D:12	65114932		•	•	•	•																						
0666	CLIP	60000309		•	•	•	•																						
0667	CLIP D:6	65100680		•	•	•	•																						
0670	TEMPERATURE PROBE + CLIP	990686-01		•	•	•	•																						
0671	CLIP	65114926			•	•																							
0672	CLIP D:19	65114931		•	•	•	•																						
0681	O-RING 9.9X2.62	65114937		•	•	•	•																						
0682	O-RING 17.04X3.53	65104262		•	•	•	•																						
0683	O-RING 23.47X2.62	65114939		•	•	•	•																						
0687	O-RING 5.7X1.9	61009834-10		•	•	•	•																						
0688	O-RING 21.89X2.62	65104320		•	•	•	•																						
0689	PLUG	65119580		•	•	•	•																						
0691	O-RING 17.86X2.62	61308091		•	•	•	•																						
0692	O-RING 11.91X2.62	65114940		•	•	•	•																						
0693	O-RING 17.13X2.62	65114938		•	•	•	•																						
0694	O-RING 15.88X2.62	65114941		•	•	•	•																						

TRX085.  
TRX110C.  
TRX120.  
TRX150C.

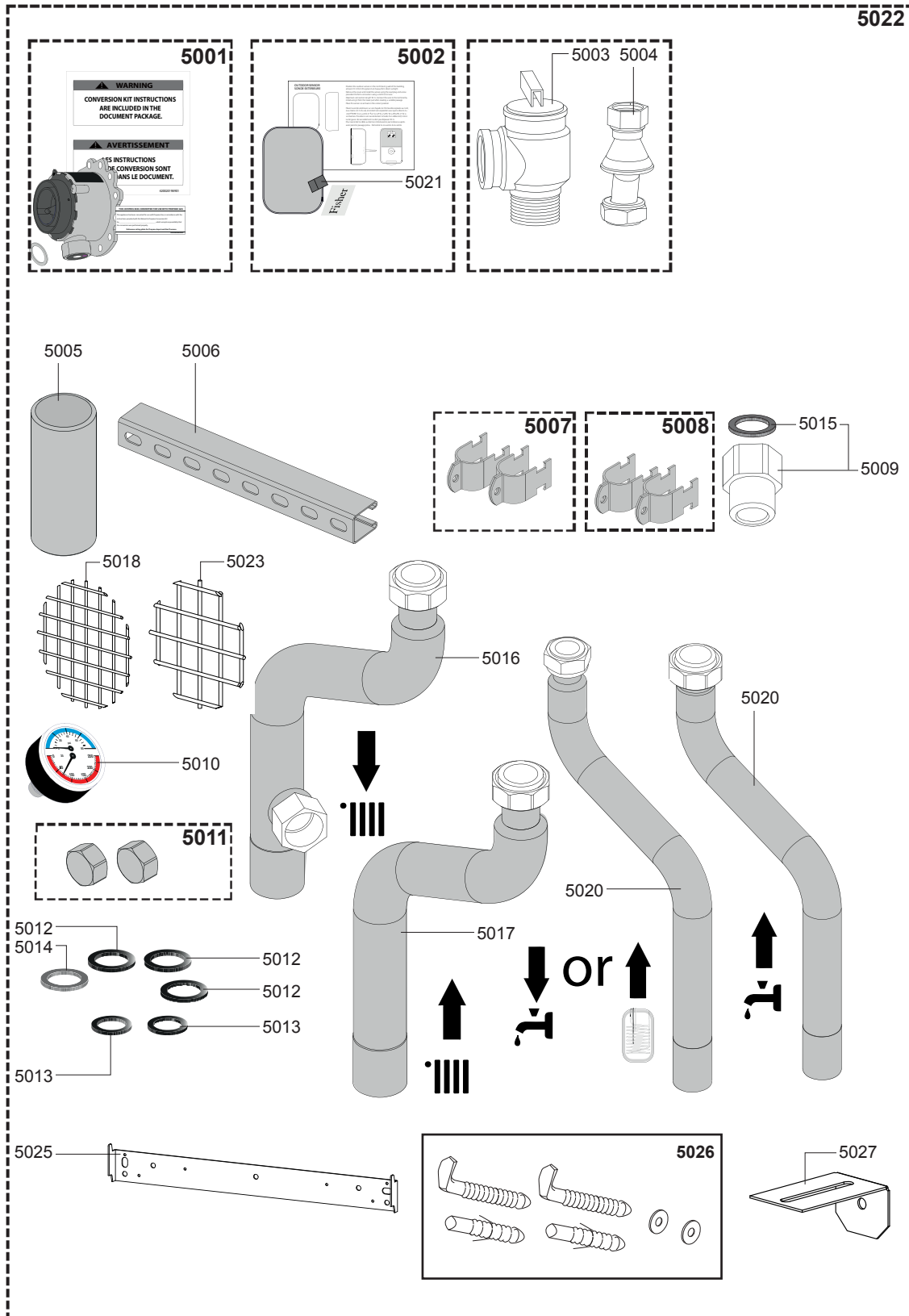
0-31  
31





# Replacement parts

☰	Description	Manf. Pt. N	Type	<div style="display: flex; justify-content: space-between; align-items: center;"> <div style="transform: rotate(-45deg); font-size: small;">                     TRX085. TRX110C. TRX120. TRX150C.                 </div> <div style="border: 1px solid black; padding: 2px;">                     31                 </div> </div>																		From	to
				1	2	3	4	5	6	7	8	9	10	11	12	13	14	15	16	17	18		
0800	<b>ELECTRICAL BOX</b>																						
0801	GROMMET(PCD TOOL ACCESS)	998382		•	•	•	•																
0814	CONTROL PANEL BASE	65118650		•	•	•	•																
0815	P.C.B. (MAIN)	6500604600		•	•	•	•																
0816	P.C.B. (DISPLAY)	6500604400		•	•	•	•																
0819	WIRING (WI-FI BOARD)	6500604700		•	•	•	•																
0824	CONTROL PANEL COVER	65118651		•	•	•	•																
0825	PRESSURE/TEMPERATURE GAUGE	65118685		•	•	•	•																
0841	KNOB	6500604500		•	•	•	•																
0842	CONTROL PANEL HINGE	65120444		•	•	•	•																
0851	CONTROL PANEL	6500604300		•	•	•	•																
0880	3-WAY VALVE CABLE	6500666100		•	•	•	•																
	3-WAY VALVE CABLE	6500666300					•																
	CABLE (DETECTION ELECTRODE)	6500666200		•	•	•	•																
	CABLE (FAN-POWER SUPPLY)	65118655		•	•	•	•																
	CABLE (FUME PROBE-EXTENSION)	65119085		•	•	•	•																
	CABLE (POWER SUPPLY)	65118675		•	•	•	•																
	CABLE (PUMP 5M PWM TACO)	65118695		•	•	•	•																
	CABLE (PWM)	65118658		•	•	•	•																
	CABLE (SPARK GENERATOR)	65118653		•	•	•	•																
	CABLE, FLUE AND NTC SENSOR-AIR PRES.SW.	64980111		•	•	•	•																
	DISPLAY WIRING - 5 WIRES BLACK	6500605100		•	•	•	•																
	GAS VALVE CABLE	65118652		•	•	•	•																
	PRESSURE SWITCH EXTENSION CABLE	65118681		•	•	•	•																
	WIRING (JUNCTION BOX POWER SUPPLY)	6500605000		•	•	•	•																
	WIRING (PUMP+JUN.BOX+MAIN BOARD)	6500604800		•	•	•	•																
0881	CONNECTOR 2P	65111933		•	•	•	•																
0882	FUSE 5X20 RIT. 5 A 250V	65119782		•	•	•	•																
0883	GROMMET	6500604900		•	•	•	•																
0885	JUNCTION BOX BASE	6500605900		•	•	•	•																
0886	JUNCTION BOX COVER	6500605800		•	•	•	•																
0888	P.C.B. (JUNCTION BOX)	6500605700		•	•	•	•																
0889	P.C.B. (WIFI-REM4)	65120352-02		•	•	•	•																



**5022**

**5024**

Restrictors KIT  
 Limiteurs de debit (kit)  
 Reductor (kit)  
 Tuelleset  
 Limitatori di portata (kit)

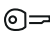
# Replacement parts

☺	Description	Manf. Pt. N	Type																			From	to
				1	2	3	4	5	6	7	8	9	10	11	12	13	14	15	16	17	18		
<b>5000</b>	<b>ACCESSORIES</b>																						
5001	LP CONVERSION KIT 120C	65118723-01			•																		
	LP CONVERSION KIT 150C & 110S	65118716-01					•	•															
	LP CONVERSION KIT 85S	65118687-01			•																		
5002	OUTDOOR SENSOR	64980218			•	•	•	•															
5003	PRESSURE RELIEF VALVE	65118683			•	•	•	•															
5004	PIPE (PRESSURE RELIEF VALVE)	65119083			•	•	•	•															
5005	PLASTIC PIPE 2" CPVC L=5,5"	65119324			•	•	•	•															
5006	SUPPORT (FRAME KIT HYD)	64980066			•	•	•	•															
5007	PIPE CLAMP 3/4 IN	64980067			•	•	•	•															
5008	PIPE CLAMP 1 IN	64980068			•	•	•	•															
5009	GAS ADAPTER (3/4" NPT)"	64980285			•	•	•	•															
5010	PRESSURE/TEMPERATURE GAUGE	65118685			•	•	•	•															
5011	PLUG 1/2"	61007978			•		•	•															
5012	SEAL WASHER 3/4" EPDM, CH & DHW fitting	65115193			•	•	•	•															
5013	SEAL WASHER 1/2" EPDM 3MM DHW fitting	65116896			•	•	•	•															
5014	WATER/GAS GASKET 1 INCH	569387			•	•	•	•															
5015	GASKET 3/4" th. 3 NBR TEFLON-YELLOW	64980284			•	•	•	•															
5016	PIPE (C.H. FLOW)	64980070			•	•	•	•															
5017	PIPE (C.H. RETURN)	64980071			•	•	•	•															
5018	ROUND MESH, VENT SCREEN (3.375 in)	64980212			•	•	•	•															
5020	PIPE (FLOW/RETURN-D.H.W) - 1/2	64980072			•	•	•	•															
5021	CONNECTOR 2P	65111933			•	•	•	•															
5022	HYDRAULIC KIT 85S	6500605600			•																		
	HYDRAULIC KIT NTI 110C/120C	6500609700					•																
	HYDRAULIC KIT NTI 150C & 110S	6500609800							•	•													
5023	ROUND MESH, VENT SCREEN (2.25 in)	64980211			•	•	•	•															
5024	RIDUCTORS (KIT)	6500610800					•		•														
5025	WALL HOOK	60000625			•	•	•	•															
5026	FIXING KIT	60000627			•	•	•	•															
5027	BRACKETS (WALL MOUNTING- BOTTOM)	64980444			•	•	•	•															

			EN		DE		NL		
			FR		ES		IT		
0101	64980787	IGNITION ELECTRODE ELECTRODE ALLUMAGE		ZUNDELEKTRODE ELECTRODO DE ENCENDIDO		ELECTRODE ONTSTEKING ELETTRODO D'ACCENSIONE		1	
0102	64980788	DETECTION ELECTRODE ÉLECTRODE DE DÉTECTION		ERKENNUNGSELEKTRODE ELECTRODO DE DETECCIÓN		DETECTIE ELEKTRODE ELETTRODO DI RILEVAZIONE		1	
0105	65118667	SMOKE PROBE 10K D4X39 SONDE FUMEE 10K D4X39		RAUCHSONDE 10K D4X39 SONDA HUMO 10K D4X39		ROOKSONDE 10K D4X39 SONDA FUMI 10K D4X39		1	
0110	65118694	INSULATION (BURNER DOOR) PANNEAU ISOLEMENT		ISOLIERUNGSPANEEL PANEL AISLANTE		Panneau isolement PANNELLO ISOLANTE		1	
0111	65118671	HEAT EXCHANGER 85/110C ECHANGEUR 85/110C		AUSTAUSCHER 85/110C INTERCAMBIADOR 85/110C		WARMTEWISSELAAR 85/110C SCAMBIATORE 85/110C		1	
	65118715	HEAT EXCHANGER 120/150C ECHANGEUR 120/150C		AUSTAUSCHER 120/150C INTERCAMBIADOR 120/150C		WARMTEWISSELAAR 120/150C SCAMBIATORE 120/150C		1	
0114	65116596	BURNER 24KW BRULEUR 24KW		BRENNER 24KW QUEMADOR 24KW		BRANDER 24 KW BRUCIATORE 24KW		1	
	65116603	BURNER 30kW BRULEUR 30kW		BRENNER 30kW QUEMADOR 30kW		BRANDER 30kW BRUCIATORE 30kW		1	
	65116604	BURNER 35KW BRULEUR 35KW		BRENNER 35KW QUEMADOR 35KW		BRANDER 35KW BRUCIATORE 35KW		1	
0116	65118690	DOOR ASSY PORTE EQUIPEE		FRONTABDECKUNG KOMPLETT PUERTA EQUIPADA		DEUR COMPLEET SPORTELLO COMPLETO		1	
0117	65117391	CONDENSATE DRAIN TRAP SIPHON D'ÉVACUAT.DES CONDENS.		KONDENSATSABLAUF TRAMPA DE DRENAJE DE CONDENS.		CONDENSATVOERVAL SIFONE SCARICO CONDENZA		1	
0123	64980289	AIR VENT PURGEUR D'AIR		LUFTABLASSVENTIL PURGADOR DE AIRE		ONTLUCHTINGSKLEP VALVOLA SFIATO ARIA		1	
0129	65116047	PANEL (INSULATION - REAR) ISOLANT CERAMIQUE ARRIERE		ISOLATION WT HINTEN FIBRA CERAMICA POSTERIOR		KERAMISCHE ISOLATIE ACHTERPANEEL FIBRA CERAMICA POSTERIORE		1	
0150	60000976	CONDENSATE DRAIN HOSE D:19 L:500 TUBE PVC D:19 L:500		SCHLAUCH PVC D:19 L:500 TUBO PVC D:19 LUNG:500		BUIS PVC D:19 L:750 TUBO PVC D:19 LUNG:500		1	
0151	65118670	CONDENSATE COLLECTION PIPE TUBE FLEXIBLE		SCHLAUCH TUBO FLEXIBLE		BUIS FLEXIBEL TUBO FLESSIBILE		1	
0152	65119326	Y CONNECTION + PIPES RACCORD Y + TUBES		KUPPELSTÜCK Y +TUBE CONNECTION Y +TUBES		Y FITTING + PIJPEN RACCORDO Y + TUBI		1	
0171	65116521	BURNER GASKET JOINT BRÛLEUR		BRENNERDICHTUNG JUNTA QUEMADOR		BRANDER PAKKING GUARNIZIONE BRUCIATORE		1	
0172	64980262	ELECTRODE GASKET JOINT ÉLECTRODE		ELEKTRODENDICHTUNG JUNTA DE ELECTRODO		ELEKTRODE PAKKING GUARNIZIONE ELETTRODO ACCENS.		1	
0173	60000623	DOOR GASKET JOINT DE PORTE		TUERDICHTUNG JUNTA PUERTA		DICHTING SILICOON GUARNIZIONE PORTA		1	
0178	61308091	O-RING 17.86X2.62 JOINT TORIQUE D: 17.86-2.62		O-RING D: 17.86X2.62 JUNTA TORICA D: 17.86-2.62		DICHTINGSRING D: 17.86-2.62 ANELLO OR D: 17.86-2.62		5	
0180	65119323	SPARK GENERATOR TRANSFORMATEUR D'ALLUMAGE		ZUNDTRAFO ENCENDEDOR		ONTSTEKINGSTRANSFORMATOR ACCENDITORE		1	
0182	6500640400	SUPPORT (SPARK GENERATOR) SUPPORT (GÉNÉRAT.D'ÉTINCELLES)		UNTERSTÜTZUNG (FUNKGENERATOR) SOPORTE (GENERADOR DE CHISPA)		ONDERSTEUNING (VONKGENERATOR) SUPPORTO ACCENDITORE		1	
0190	65118686	O-RING 41.6X2.4 JOINT TORIQUE D: 41.6X2.4		O-RING D: 41.6X2.4 JUNTA TORICA D: 41.6X2.4		DICHTINGSRING D: 41.6X2.4 ANELLO OR 41.6X2.4		1	
0201	65118645	GAS VALVE, HONEYWELL KV4205 VALVE GAZ		GASVENTIL VALVULA GAS		GASBLOK VALVOLA GAS		1	
0202	64980120	FAN/COMBUSTION BLOWER VENTILATEUR		LAUFRAD HELICE VENTILADOR		VENTILATOR VENTILATORE		0	
0210	60001923	GAS DIAPHRAGM D: 6.40 (LP) DIAPHRAGME GAZ D: 6.40		PLATTENVENTIL GAS D: 6.40 DIAFRAGMA GAS D: 6.40		DIAFRAGMA GAS D: 6.40 DIAFRAMMA GAS D: 6.40		1	
	60001924	GAS DIAPHRAGM D: 6.90 DIAPHRAGME GAZ D: 6.90		PLATTENVENTIL GAS D: 6.90 DIAFRAGMA GAS D: 6.90		DIAFRAGMA GAS D: 6.90 DIAFRAMMA GAS D: 6.90		1	
	65118689	GAS RESTRICTOR D: 5,5 DIAPHRAGME GAZ D: 5,5		PLATTENVENTIL GAS D: 5,5 DIAFRAGMA GAS D: 5,5		DIAFRAGMA GAS D: 5,5 DIAFRAMMA GAS D: 5,5		1	
	65118713	GAS DIAPHRAGM D: 8,5 (NG) DIAPHRAGME GAZ D: 8,5		PLATTENVENTIL GAS D: 8,5 DIAFRAGMA GAS D: 8,5		DIAFRAGMA GAS D: 8,5 DIAFRAMMA GAS D: 8,5		1	
	65118718	GAS RESTRICTOR D: 6 DIAPHRAGME GAZ D: 6		PLATTENVENTIL GAS D: 6 DIAFRAGMA GAS D: 6		DIAFRAGMA GAS D: 6 DIAFRAMMA GAS D: 6		1	
0211	65118669	MIXER 085/85WBN NG MIXER 085/85WBN NG		MIXER 085/85WBN NG MIXER 085/85WBN NG		MIXER 085/85WBN NG MIXER 085/85WBN NG		1	
	65118688-01	MIXER 085/85WBN LP MIXER 085/85WBN LP		MIXER 085/85WBN LP MIXER 085/85WBN LP		MIXER 085/85WBN LP MIXER 085/85WBN GPL		1	
	65118712	MIXER 120-150C/120 WBN-WCN NG MIXER 120-150C/120 WBN-WCN NG		MIXER 120-150C/120 WBN-WCN NG MIXER 120-150C/120 WBN-WCN NG		MIXER 120-150C/120 WBN-WCN NG MIXER 120-150C/120 WBN-WCN NG		1	
	65118717-01	MIXER 120-150C/120 WBN-WCN LP MIXER 120-150C/120 WBN-WCN LP		MIXER 120-150C/120 WBN-WCN LP MIXER 120-150C/120 WBN-WCN LP		MIXER 120-150C/120 WBN-WCN LP MIXER 120-150C/120 WBN-WCN GPL		1	
	65118722	MIXER 110C120WCN NG MIXER 110C120WCN NG		MIXER 110C120WCN NG MIXER 110C120WCN NG		MIXER 110C120WCN NG MIXER 110C120WCN NG		1	
	65118724-01	MIXER 85/120WCN LP MIXER 85/120WCN LP		MIXER 85/120WCN LP MIXER 85/120WCN LP		MIXER 85/120WCN LP MIXER 85/120WCN GPL		1	

## Replacement parts

			EN	DE	NL	
			FR	ES	IT	
0213	65113062	SILENCER SILENCIEUX	SCHALLDAMPFE SILENCIADOR	SILENCER SILENZIATORE	1	
0214	65118668	GAS PIPE TUBE GAZ	GASROHR TUBO ENTRATA GAS	GASBUIS TUBO GAS	1	
	65118714	GAS PIPE TUBE GAZ	GASROHR TUBO ENTRATA GAS	GASBUIS TUBO GAS	1	
0271	64980240	FAN GASKET FOR 085-150 JOINT VENTILATEUR	DICHTUNG, GEBLASE JUNTA VENTILADOR	DICHTING Ventilator GUARNIZIONE Ventilatore	0	
0282	60022835-01	GASKET D:24-18.2-1.5 JOINT PLAT D: 24-18.2-1.5	DICHT.SCHEIBE D: 24-18.2-1.5 JUNTA PLANA D: 24-18.2-1.5	DICHTING VLAK D. 24-18.2-1.5 GUARNI. PIANA D: 24-18.2-1.5	10	
0310	65119579	CASE COVER ASSY COUVERCLE CAISSON EQUIPE	ABDECK. BRENNERG. KOMPLETT TAPADERA CHASSIS SUPERIOR	ABDECK. BRENNERG. KOMPLETT COPERCHIO TELAIO	1	
0312	65104295-01	FLUE TEST PORT PLUG BOUCHON DE PRISE FUMEE	STOPFEN ABGAS-U. ZULUFTMESS.KUNST. TAPON TOMA HUMOS	STOP ROOKGASMEETNIPPELS TAPPO ANALISI FUMI + O-RING	1	
0315	65119783	SPLASH PREVENTER PROTECTION PROJECTION EAU	SPRITZENVERHINDERER PROTECCION ROCIADURAS	BESCHERMING WATERTOEOVOER PARASPRUZZI	1	
0316	65118678	AIR PRESSURE SWITCH PRESSOSTAT AIR	LUFTWACHTER PRESOSTATO AIRE	DRUKSCHAKELAAR LUCHT PRESSOSTATO ARIA	1	
0317	65119086	PIPE (CONDENSATE AIR PRESS.SWITCH) TUYAU CONDENS.COMMUTAT.DE PRES.AIR	ROHR (KONDENS.-LUFTDRUCKSCHALT.) TUBO CONDENS.INTERRUPT.PRES.AIRE	BUIS (LUCHTDRUKSCHAKEL.CONDENS.) TUBO CONDENSA PRESSOSTATO	1	
0347	6500605500	HANDLE DOOR KEEPER GARDE-PORTE POIGNÉE	GRIFF TÜRHALTER MANIJA PUERTA	HANDVAT DEURHOUDER MANIGLIA PORTA	1	
0371	65118682	FLUE COLLAR GASKET JOINT COLLIER	DICHTUNG, BUND JUNTA ABRAZADERA	DICHTING KLEMRING GUARNIZIONE USCITA FUMI	1	
0372	65118680	SUPPORT (AIR PRESSURE SWITCH) SUPPORT PRESSOSTAT D'AIR	LUFTDRUCKSCHALTER UNTERSTÜTZUNG SOPORTE PRESOSTATO DE AIRE	DRAAGSTEUN DRUKSCHAKELAAR SUPPORTO PRESSOSTATO ARIA	1	
0402	65118683	PRESSURE RELIEF VALVE SOUPAPE DE SECURITE	SICHERHEITSVENTIL VALVULA DE SEGURIDAD	VEILIGHEIDSGROEP VALVOLA DI SICUREZZA	1	
0403	65119083	PIPE (PRESSURE RELIEF VALVE) TUBE SOUPAPE DE SECURITE	SICHERHEITSVENTILROHR TUBO VALVULA DE SEGURIDAD	BUIS VEILIGHEIDSKLEP TUBO VALVOLA DI SICUREZZA	1	
0404	569387	WATER/GAS GASKET 1 INCH JOINT EAU-GAZ 1 POUCE	WASSER-GAS-DICHTUNG 1 ZOLL SELLO AGUA-GAS 1 PUL.	AFDICHTING WATER/GAS 1 INCH GUARNIZIONE ACQUA-GAS 1 PO.	10	
0405	65116520	SILICONE PIPE D:8 L:330 TUBE SILICONE D:8 L:330	SILIKONSCHLAUCH D:8 L:330 TUBO SILICONA D:8 L:330	SILICONESLANG D:8 L:330 TUBO SILICONE D:8 L:330	1	
0415	6500605400	SIDE PANELS LEFT + RIGHT PANNEAUX COTES DROIT + GAUCHE	VERKLEIDUNG LINKS/RECHTS PANELES DE LADOS DCHO + IZQDO	ZIJPANEEL RECHTS + LINKS PANNELLI LATERALI DX + SX	1	
0417	6500605200	CASE PANEL (FRONT) Step 1 PANNEAU FRONTAL	VERKLEIDUNG VORNE PANEL FRONTAL	VOORPANEEL MANTELLO FRONTALE	1	
0418	6500605300	BEZEL PLASTRON	EINSATZ PLASTRON	PLAAT MOSTRINA	1	
0423	65119082	BOTTOM PANEL FONDO 18-24 KW	PLATE WIRE BOX PLATE WIRE BOX	PLATE WIRE BOX FONDO 18-24 KW	1	
0425	64980285	GAS ADAPTER (3/4" NPT)" RACCORD 3/4	ANSCHLUSS, 3/4 RACOR 3/4	VERBINDINGSSTUK 3/4" RACCORDO 3/4	1	
0426	64980284	GASKET 3/4" th. 3 NBR TEFLON-YELLOW JOINT EAU-GAZ 3/4 in ép.3 NBR	DICHTUNG 3/4 in Dicke 3 NBR JUNTA 3/4 in esp. 3 NBR	AFDICHTING 3/4 in dikte 3 NBR GUARNIZIONE 3/4 in NBR sp.3	1	
0501	65118664-01	FLOW GROUP GROUPE DEPART CHAUFFAGE	VORLAUFGRUPPE GRUPPO MANDATA	GROEP AANVOER VERWARMING GRUPPO MANDATA	1	
	65118720	FLOW GROUP GROUPE DEPART CHAUFFAGE	VORLAUFGRUPPE GRUPPO MANDATA	GROEP AANVOER VERWARMING GRUPPO MANDATA	1	
0507	65116537	SANITARY HEAT EXCHANGER (16 P.) ECHANGEUR SANITAIRE 16 PLAQUES	PLATTENWÄRMETAUSCHER INTERCAMBIADOR SANITARIO 16	WARMTEWISSELAAR SANITAIR 16 PLATEN SCAMBIATORE SANITARIO 16	1	
0514	65117089	BY-PASS VALVE BY-PASS	BY-PASS BY-PASS	BY-PASS BY-PASS	1	
0519	60001365	INTERFACE 'SYSTEM +' OPEN INTERFACE 'SYSTEM +' NON BOUCHÉ	ADAPTER ZU SICHERHEITSVENTIL-ROHR INTERFAZ 'SYSTEM +' NO TAPADO	INTERFACE INTERFACCIA RISCALDAMENTO	1	
0521	65119440	HYDRAULIC GROUP SUPPORT SUPPORT HYDRAULIQUE	GRUNDPLATTE HYDRAULIKBAUGRUPPE SOPORTE HIDRAULICO	HYDRAULIC SUPPORT BRACKET STAFFA SUPPORTO IDRAULICO	1	
0551	6500606000	PIPE (C.H. FLOW) TUBE DEPART CHAUFFAGE	VORLAUFROHR TUBO ENVÍO	BUIS VERTREK VERWARMING TUBO MANDATA	1	
	6500609900	PIPE (C.H. FLOW) TUBE DEPART CHAUFFAGE	VORLAUFROHR TUBO ENVÍO	BUIS VERTREK VERWARMING TUBO MANDATA	1	
0555	65104260	CLIP D:10 CLIP D10	SICHERHEITSSPLINT D10 CLIP D10	KLEM D10 CLIP D10	1	
0556	61009834-14	O-RING 8.9X2.7 JOINT TORIQUE D: 8.9-2.7	RUNDDICHTUNG D: 8.9-2.7 JUNTA TORICA D: 8.9-2.7	DICHTINGSRING D: 8.9-2.7 ANELLO OR D: 8.9-2.7	10	
0557	65115935	PIPE (D.H.W.RETURN) TUBE RETOUR EAU SANITAIRE	WARMEAUSTAUSCHEREINGANGSROHR TUBO ENTRADA SANITARIA	BUIS (GEZONDHEID WATER RETOUR) TUBO RITORNO ACQUA CALDA	1	
0558	65122275	BY-PASS PIPE TUBE BY-PASS	BYPASS-ROHR TUBO BY-PASS	BUIS BY-PASS TUBO BY-PASS	1	
0562	65104259	CLIP D:18 CLIP D18	CLIP D18 CLIP D18	KLEM D18 CLIP D18	1	

		EN	DE	NL	
		FR	ES	IT	
0563	65114932	CLIP D:12 CLIP D:12	CLIP D:12 CLIP D:12	KLEM D:12 CLIP D:12	5
0565	60000309	CLIP CLIP	CLIP CLIP	KLEM CLIP	1
0568	65114928	EXCHANGER GASKET JOINT ECHANGEUR	DICHTUNG WAERMETAUSCHER JUNTA INTERCAMBIADOR	DICHTING WISSELAAR GUARNIZIONE SCAMBIATORE	5
0570	65114929	CH ADAPTER 3/4 RACCORD 3/4	ANSCHLUSS, 3/4 RACOR 3/4	VERBINDINGSSTUK 3/4 RACCORDO 3/4	1
0571	65114930	DHW ADAPTER 1/2 RACCORD 1/2	ANSCHLUSS, 1/2 RACOR 1/2	VERBINDINGSSTUK 1/2 RACCORDO 1/2	1
0576	990686-01	TEMPERATURE PROBE + CLIP SONDE NTC + CLIPS KIT	NTC-SONDE MIT CLIPS KIT SONDA NTC + CLIPS KIT	VOELER NTC + KLEM KIT SONDA NTC + CLIPS KIT	1
0582	61308091	O-RING 17.86X2.62 JOINT TORIQUE D: 17.86-2.62	O-RING D: 17.86X2.62 JUNTA TORICA D: 17.86-2.62	DICHTINGSRING D: 17.86-2.62 ANELLO OR D: 17.86-2.62	5
0585	65104262	O-RING 17.04X3.53 JOINT TORIQUE 3,53X17,04	O-RING 3,53X17,04 O-RING 3,53X17,04	O-RING 3,53 X17,04 O-RING 3,53X17,04	10
0590	65114940	O-RING 11.91X2.62 JOINT TORIQUE D: 11.91-2.62	O-RING ID11,91X2,62 EPDM JUNTA TORICA D: 11.91-2.62	DICHTINGSRING D: 11.91-2.62 ANELLO OR D: 11.91-2.62	5
0601	65118665-01	RETURN GROUP GROUPE RETOUR (REPL. MANUEL)	RUCKLAUFGRUPPE GRUPO RETORNO	GROEP TERUGVOER GRUPPO RITORNO	1
	65118721	RETURN GROUP GROUPE RETOUR	RUCKLAUFGRUPPE GRUPO RETORNO	GROEP TERUGVOER GRUPPO RITORNO	1
0602	65115793	PRESSURE SWITCH (PROPORTIONAL) DETECTEUR PROPORTIONNEL	DRUCKWAECHTER-MINIMAL PRESOSTATO PROPORCIONAL	VOELER EVENREDIG PRESSOSTATO PROPORZIONALE	1
0603	61307589	CLIP CLIP	CLIP CLIP	KLEM CLIP	1
0604	65118666	TACO PUMP HIGH EFFICIENCY POMPE TACO	PUMPE TACO BOMBA CIRCULADORA TACO	CIRCULATIEPOMP TACO POMPA ALTA EFFICIENZA	1
0605	65114936	MOTOR (3-WAY VALVE) MOTEUR VANNE 3 VOIES	3-WEGEVENTILMOTOR MOTOR DE VALVOLA DE TRES VIAS	MOTOR DRIEWEGKLEP MOTORE DI VALVOLA A 3 VIE	1
0606	65114921-01	SENSOR (REED) AMPOULE REED	REEDKONTAKT SENSOR (REED)	SENSOR (REED) SENSORE REED	1
0607	65114919	FLOW METER CARTOUCHE DEBIMETRE	UMSCHALTER HEIZUNG/SANITAR OBTURADOR CALEFAC/SANIT	DEBIETMET FLOW SWITCH SANITAIR FLUSSOSTATO SANITARIO	1
0608	65114927	CLIP CLIP	CLIP CLIP	KLEM CLIP	1
0610	65114924	MOTOR + SPRING 3 WAY VALVE KIT KIT MOTEUR+CLAPET DE VANNE 3 V.	MOTOR MIT VERSCHL.VENTIL 3-WEGE KIT MOTOR+GRUPO 3 VIAS DE VALV	MOTOR + KLEP - 3 WEGKLEP KIT MOTORE+OTTURAT VALV 3 VIE	1
0611	6500610800	RIDUCTORS (KIT) LIMITEURS DE DEBIT KIT	TUELLESET REDUCTOR (KIT)	DEBIETBEGRENZER (KIT) LIMITATORI DI PORTATA (KIT)	1
0612	65114920	PLUG BOUCHON	STOPFEN TAPON	STOPPEN TAPPO	1
0614	65112086	AUTO AIR VENT TACO ENER+ DEGAZEUR - TACO ENER+	ENTLUEFTER - TACO ENER+ PURGADOR DE AIRE COMPLETA	ONTLUCHTINGSKLEP - TACO ENER+ VALVOLA SFOGO ARIA-TACO ENER+	1
0615	65114922	DRAIN COCK ROBINET EVACUATION INSTALLA.	ANLAGENAUSLAUFHAHN GRIFO DE VACIADO INSTALACION	LEEGLAATKRAAN RUBINETTO SVUOTAMENTO	1
0616	65114923	WATER FILTER FILTRE EAU	WASSERSIEB FILTRO DEL AGUA	WATERFILTER FILTRO ACQUA	1
0622	65117089	BY-PASS VALVE BY-PASS	BY-PASS BY-PASS	BY-PASS BY-PASS	1
0651	65116543	PIPE (C.H. RETURN) TUBE RETOUR CHAUFFAGE	RUCKLAUFROHR TUBO RETORNO INSTALACION	BUIS RETOUR VERWARMING TUBO RITORNO	1
0660	65114933	CLIP D:10 CLIP D:10	CLIP D:10 CLIP D:10	KLEM D:10 CLIP D:10	5
0664	65104322	CLIP CLIP	KLAMMER PUMPE CLIP	KLEM CLIP	1
0665	65114932	CLIP D:12 CLIP D:12	CLIP D:12 CLIP D:12	KLEM D:12 CLIP D:12	5
0666	60000309	CLIP CLIP	CLIP CLIP	KLEM CLIP	1
0667	65100680	CLIP D:6 CLIP D:6	CLIP D:6 CLIP D:6	KLEM D:6 CLIP D:6	1
0670	990686-01	TEMPERATURE PROBE + CLIP SONDE NTC + CLIPS KIT	NTC-SONDE MIT CLIPS KIT SONDA NTC + CLIPS KIT	VOELER NTC + KLEM KIT SONDA NTC + CLIPS KIT	1
0671	65114926	CLIP CLIP	CLIP CLIP	KLEM CLIP	1
0672	65114931	CLIP D:19 CLIP D=19	CLIP D=19 CLIP D=19	KLEM D=19 CLIP D=19	5
0681	65114937	O-RING 9.9X2.62 JOINT TORIQUE D: 9.9-2.62	NDDICHTRING D: 9.9-2.62 JUNTA TORICA D: 9.9-2.62	DICHTINGSRING D: 9.9-2.62 ANELLO OR D: 9.9-2.62	5
0682	65104262	O-RING 17.04X3.53 JOINT TORIQUE 3,53X17,04	O-RING 3,53X17,04 O-RING 3,53X17,04	O-RING 3,53 X17,04 O-RING 3,53X17,04	10

## Replacement parts

			EN	DE	NL	
			FR	ES	IT	
0683	65114939	O-RING 23.47X2.62 JOINT TORIQUE D: 23.47-2.62	NDDICHTRING D: 23.47-2.62 JUNTA TORICA D: 23.47-2.62	DICHTINGSRING D: 23.47-2.62 ANELLO OR D: 23.47-2.62	5	
0687	61009834-10	O-RING 5.7X1.9 JOINT TORIQUE D: 5.7-1.9	RUNDDICHTRING D: 5.7-1.9 JUNTA TORICA D: 5.7-1.9	DICHTING D: 5.7-1.9 ANELLO OR D: 5.7-1.9	10	
0688	65104320	O-RING 21.89X2.62 JOINT TORIQUE 21.89X2.62	O - RING (21.89X2.62) O - RING (21.89X2.62)	DICHTINGSRING 21.89X2.62 O-RING 21,89X2,62	1	
0689	65119580	PLUG BOUCHON	STOPFEN TAPON	STOPPEN TAPPO	1	
0691	61308091	O-RING 17.86X2.62 JOINT TORIQUE D: 17.86-2.62	O-RING D: 17.86X2.62 JUNTA TORICA D: 17.86-2.62	DICHTINGSRING D: 17.86-2.62 ANELLO OR D: 17.86-2.62	5	
0692	65114940	O-RING 11.91X2.62 JOINT TORIQUE D: 11.91-2.62	O-RING ID11,91X2,62 EPDM JUNTA TORICA D: 11.91-2.62	DICHTINGSRING D: 11.91-2.62 ANELLO OR D: 11.91-2.62	5	
0693	65114938	O-RING 17.13X2.62 JOINT TORIQUE D: 17.13-2.62	NDDICHTRING D: 17.13-2.62 JUNTA TORICA D: 17.13-2.62	DICHTINGSRING D: 17.13-2.62 ANELLO OR D: 17.13-2.62	5	
0694	65114941	O-RING 15.88X2.62 JOINT TORIQUE D: 15.88-2.62	DICHTRING D: 15.88-2.62 JUNTA TORICA D: 15.88-2.62	DICHTINGSRING D: 15.88-2.62 ANELLO OR D: 15.88-2.62	5	
0801	998382	GROMMET(PCD TOOL ACCESS) JOINT ENTREE REGULATION	GUMMIABDECKUNG POTENTIOMETER JUNTA	DICHTING GOMMINO ACCESSO REGOLAZIONE	5	
0814	65118650	CONTROL PANEL BASE PORTE INSTRUMENTS	INSTRUMENTENHALTER FRONTAL	BEHUIZING BEDIENINGSPANEEL PORTASTRUMENTI	1	
0815	6500604600	P.C.B. (MAIN) CIRCUIT IMPRIME PRINCIPAL	ELEKTROHAUPTPLATINE CIRCUITO PRINCIPAL	PRINTKAART SCHEDE PRINCIPALE	1	
0816	6500604400	P.C.B. (DISPLAY) CIRCUIT IMPRIME D'AFFICHAGE	DISPLAYPLATINE CIRCUITO DISPLAY	PRINT DISPLAY SCHEDE DISPLAY	1	
0819	6500604700	WIRING (WI-FI BOARD) CABLAGE (CIRCUIT WIFI)	WIRING (WI-FI BOARD) CABLEADO WIFI EVO2	ELEKTRISCHE BEDRADING (PRINT WIFI) CABLAGGIO SCHEDE WIFI	1	
0824	65118651	CONTROL PANEL COVER COUVERCLE ARRIERE TABL.COMM.	RUCKWARTIGER DECKEL, FRONTBLENDE TAPA POST.PANEL DE MANDOS	HOUDER STUURPRINT COPERCHIO BOX	1	
0825	65118685	PRESSURE/TEMPERATURE GAUGE MANOMETRE / THERMOMETRE	THERMOHYDROMETER TERMOMANOMETRO	MANOMETER - THERMOMETER TERMOIDROMETRO	1	
0841	6500604500	KNOB BOUTON DU SELECTEUR	DREHKNOPF MANDO	KNOP MANOPOLA	1	
0842	65120444	CONTROL PANEL HINGE SUPPORT	TRAGER SOPORTE	SUPPORT SUPPORTO	1	
0851	6500604300	CONTROL PANEL TABLEAU DE COMMANDE	FRONTBLENDE FRONTAL	BEDIENINGSPANEEL FRONTALINO	1	
0880	64980111	CABLE .FLUE -NTC SENS.-AIR PRES.SW. CABLE, CAPT.NTC ET DE FUMÉE-INTER.PRES.	KABEL, RAUCH-NTC SENSOR.-LUFTDRUCK CABLE, SENS.DE HUMOS-PRES.TO DE AIR-NTC	KABEL, ROOKKAN.SENS.-LUCHTDRUKSCH.-NTC CAVO SONDA FUMI-PRESS.TO ARIA-SONDE NTC	1	
	6500604800	WIRING (PUMP+JUN.BOX+MAIN BOARD) CABLE POMPE+JUN.BOX+CARTE ELECTR.	KABEL PUMPE+JUN.BOX+ELEKTR.PL. CABLE BOMBA+JUN.BOX+TARJETA ELECTR.	KABEL POMP+JUN.BOX+ELEKTRON.KARTE CAVO POMPA+JUN.BOX+SCHEDE PRINC.	1	
	6500605000	WIRING (JUNCTION BOX POWER SUPPLY) CÂBLE ALIM.DE LA BOÎTE DE JONCT.	KABEL STROMVERSORG.DES ANSCHLU CABLE DE ALIMENTACION JB	KABEL POMP+JUN.BOX+ELEKTR.KARTE CABLAGGIO ALIMENTAZIONE JB	1	
	6500605100	DISPLAY WIRING - 5 WIRES BLACK CABLAGE AFFICHEUR - 5 FILS NOIR	KABEL DISPLAY 5P L240MM CABLEADO DISPLAY - 5 cables negro	BEDRADING DISPLAY CABLAGGIO DISPLAY - 5 CAVI NERI	1	
	6500666100	3-WAY VALVE CABLE CABLAGE VANNE 3 VOIES	KABEL 3-WEGEVENTIL CABLEADO VALVULA DE TRES VIAS	BEDRADING DRIEWEG KLEP CABLAGGIO VALVOLA A 3 VIE	1	
	6500666200	CABLE (DETECTION ELECTRODE) CABLAGE ELECTRODE IONISATION	IONISATIONSKABEL CABLE ELECTRODO DE DETECCION	CABLE (DETECTION ELECTRODE) CAVO ELETTRODO RILEVAZIONE	1	
	6500666300	3-WAY VALVE CABLE CABLAGE VANNE 3 VOIES	KABEL 3-WEGEVENTIL CABLEADO VALVULA DE TRES VIAS	BEDRADING DRIEWEG KLEP CABLAGGIO VALVOLA A 3 VIE	1	
	65118652	GAS VALVE CABLE CABLAGE VANNE GAZ	KABEL ZUNDER CABLEADO VALVULA GAS	BEDRADING GASBLOK CABLAGGIO VALVOLA GAS	1	
	65118653	CABLE (SPARK GENERATOR) CÂBLE (GÉNÉRATEUR D'ÉTINCELLES)	KABEL (ZUNDTrafo) CABLE (GENERADOR DE CHISPA)	KABEL (VONKENGGENERATOR) CABLAGGIO ACCENDITORE	1	
	65118655	CABLE (FAN-POWER SUPPLY) CABLE (ALIMENTATION DE VENTILAT.)	KABEL (VENTILATOR-STROMVERSORG.) CABLE DE ALIMENT.DE VENTILADOR	KABEL (FAN-VOEDING) CAVO ALIMENTAZIONE VENTILATORE	1	
	65118658	CABLE (PWM) CABLAGE PWM	VERBINDUNG PWM CABLEADO PWM	Cablage PWM CABLAGGIO PWM	1	
	65118675	CABLE (POWER SUPPLY) CABLAGE D'ALIMENTATION	ANSCHLUSSKABEL CABLEADO ELECTRICO	BEDRADING ONTSTEKING CABLAGGIO ALIMENTAZIONE	1	
	65118681	PRESSURE SWITCH EXTENSION CABLE CÂBLE DE RALLON.POUR PRESSOST.	DRUCKSCHALT.-VERLÄNGERUNGSKABEL CABLE DE EXTENS.DEL PRESOST.	DRUKSCHAKELAAR VERLENGKABEL CAVO PROLUNGA PRESSOSTATO	1	
	65118695	CABLE (PUMP 5M PWM TACO) CABLE POMPE 5M PWM TACO	VERKABELUNG PUMPE 5M PWM TACO CABLEADO BOMBA 5M PWM TACO	BEDRADING POMP 5M PWM TACO CAVO POMPA 5M PWM TACO	1	
	65119085	CABLE (FUME PROBE-EXTENSION) CABLE D'EXTENS.DE SONDÉ D'ECHAPP.	ABGAS SONDE VERLÄNGERUNGSKABEL CABLE EXTENS.DE SONDÉ DE HUMO	VERLENGINGSKABEL ROOK SONDE CAVO PROLUNGA SONDÉ FUMI	1	
0881	65111933	CONNECTOR 2P CONNECTEUR 2 POLES	STECKER 2 POL. RAST 5 CONECTOR 2P	STEKKER 2-POLIG CONNETTORE 2 POLI	5	
0882	65119782	FUSE 5X20 RIT. 5 A 250V FUSIBLE 5X20 RIT. 5 A 250V	SICHERUNG 5X20 RIT. 5 A 250V FUSIBLE 5X20 RIT. 5 A 250V	ZEKERING 5X20 RIT. 5 A 250V FUSIBILE 5X20 RIT. 5 A 250V	1	
0883	6500604900	GROMMET CAPSULE ENTREE CABLES	KABELEINGANGSGUMMSCHLEIBE GOMA ENTRADA CABLES	KABELDOORVOER RUBBER GOMMINO	1	



Key	Part Number	EN	DE	NL	Quantity
		FR	ES	IT	
0885	6500605900	JUNCTION BOX BASE COUVERCLE FIXE (BOITE DE JONCTION)	FESTE ABDECKUNG (JUNKTIONSKASTEN) CUBIERTA FIJA (CAJA DE JUNTOS)	VASTE COVER (VERBINDINGSBOX) FONDO JUNCTION BOX	1
0886	6500605800	JUNCTION BOX COVER COUVERCLE (BOITE DE JONCTION)	ABDECKUNG (JUNKTIONSKASTEN) CUBIERTA (CAJA DE JUNTOS)	DEKKING (JUNCTION BOX) COPERCHIO JUNCTION BOX	1
0888	6500605700	P.C.B. (JUNCTION BOX) CIRCUIT CLIP-IN 2 ZONES	LEITERPLATTE CLIP-IN 2 ZONES CIRC.ELECTRON.CLIP-IN 2 ZONES	PRINTKAART (CLIP IN 2 ZONES) SCHEDA CLIP-IN 2 ZONE	1
0889	65120352-02	P.C.B. (WIFI-REM4) CIRCUIT IMPRIME REM 4	ELEKTROPLATINE (REM4) CIRCUITO REM4	PRINTKAART REM4 SCHEDA REM4	1
5001	65118687-01	LP CONVERSION KIT 85S EQT TRANSF. G31 85S	FLUSSIGGAS-UMSTELLSET G31 85S KIT TRANSFORMACION G31 85S	OMBOUWSET G31 85S TRASFORMAZIONE G31 85S	1
	65118716-01	LP CONVERSION KIT 150C & 110S EQT TRANSF. G31 40 KW	FLUSSIGGAS-UMSTELLSET G31 40 KW KIT TRANSFORMACION G31 40 KW	OMBOUWSET G31 40 KW TRASFORMAZIONE G31 40 KW	1
	65118723-01	LP CONVERSION KIT 120C EQT TRANSF. G31 30KW COMBI	F-GAS-UMSTELLSET G31 30KW COMBI KIT TRANSFORM.G31 30KW COMBI	OMBOUWSET G31 30KW COMBI TRASFORMAZIONE G31 30KW COMBI	1
5002	64980218	OUTDOOR SENSOR SONDE EXTERIEURE FILAIRE	AUSSENUEHLER SONDA EXTERNA CON CABLES	BUITENVOELER SONDA ESTERNA CON CAVI	1
5003	65118683	PRESSURE RELIEF VALVE SOUPAPE DE SECURITE	SICHERHEITSVENTIL VALVULA DE SEGURIDAD	VEILIGHEIDSGROEP VALVOLA DI SICUREZZA	1
5004	65119083	PIPE (PRESSURE RELIEF VALVE) TUBE SOUPAPE DE SECURITE	SICHERHEITSVENTILROHR TUBO VALVULA DE SEGURIDAD	BUIS VEILIGHEIDSKLEP TUBO VALVOLA DI SICUREZZA	1
5005	65119324	PLASTIC PIPE 2" CPVC L=5,5" TUBE EN PLAST.CPVC OT60MM L=5,5"	KUNSTSTOFFROHR CPVC OT60MM L=5,5" TUBO PLÁST.CPVC OT60MM L=5,5"	KUNSTSTOF BUIS CPVC OT60MM L = 5,5" TRONCHETTO CPVC OT60MM L=5,5"	1
5006	64980066	SUPPORT (FRAME KIT HYD) SUPPORT (KIT CHASSIS HYD)	UNTERSTÜTZUNG (RAHMENKIT HYD) SOPORTE (KIT DE MONTURAHYD)	ONDERSTEUNING (CHASSIS KIT HYD) STAFFA SUPPORTO KIT HYD L=16in	1
5007	64980067	PIPE CLAMP 3/4 IN PINCE DE TUYAU 3/4 PO	ROHRKLEMME 3/4 IN ABRAZADERA DE TUBO 3/4 IN	PIJPKLEM 3/4 IN MORSETTO TUBO 3/4 IN	1
5008	64980068	PIPE CLAMP 1 IN PINCE DE TUYAU 3/4 PO	ROHRKLEMME 3/4 IN ABRAZADERA DE TUBO 3/4 IN	PIJPKLEM 3/4 IN MORSETTO TUBO 1 IN	1
5009	64980285	GAS ADAPTER (3/4" NPT)" RACCORD 3/4	ANSCHLUSS, 3/4 RACOR 3/4	VERBINDINGSSTUK 3/4" RACCORDO 3/4	1
5010	65118685	PRESSURE/TEMPERATURE GAUGE MANOMETRE / THERMOMETRE	THERMOHYDROMETER TERMOMANOMETRO	MANOMETER - THERMOMETER TERMOIDROMETRO	1
5011	61007978	PLUG 1/2" BOUCHON 1/2	VERSCHLUSS 1/2Z TAPON 1/2"	BOUCHON 1/2" TAPPO 1/2in	1
5012	65115193	SEAL WASHER 3/4" EPDM, CH & DHW fitting JOINT 3/4" EPDM 3MM	WASSER/GAS-DICHTUNG 3/4Z EPDM 3MM JUNTA 3/4" EPDM 3MM	AFDICHTING GAS-WATER 3/4" EPDM 3MM" GUARNIZIONE 3/4in EPDM 3 MM	1
5013	65116896	SEAL WASHER 1/2" EPDM 3MM DHW fitting JOINT 1/2" EPDM 3MM	WASSER/GAS-DICHTUNG 1/2" EPDM 3MM JUNTA 1/2" EPDM 3MM	DICHTING WATER-GAS 1/2" EPDM 3MM GUARNIZIONE 1/2in EPDM 3 MM	1
5014	569387	WATER/GAS GASKET 1 INCH JOINT EAU-GAZ 1 POUCE	WASSER-GAS-DICHTUNG 1 ZOLL SELLO AGUA-GAS 1 PUL.	AFDICHTING WATER/GAS 1 INCH GUARNIZIONE ACQUA-GAS 1 PO.	10
5015	64980284	GASKET 3/4" th. 3 NBR TEFLON-YELLOW JOINT EAU-GAZ 3/4 in ép.3 NBR	D.TUNG 3/4 in Dicke 3 NBR TEFLON GELB JUNTA 3/4 in esp. 3 NBR	AFDICHTING 3/4 in dikte 3 NBR GUARNIZ.3/4 in NBR sp.3 TEFLON GIAL.	1
5016	64980070	PIPE (C.H. FLOW) TUBE DEPART CHAUFFAGE	VORLAUFROHR TUBO ENVIO CIRCUITO	BUIS VERTREK VERWARMING TUBO RAME MAN RISC KIT HYD	1
5017	64980071	PIPE (C.H. RETURN) TUBE RETOUR CHAUFFAGE	RUCKLAUFROHR TUBO RETORNO INSTALACION	BUIS RETOUR VERWARMING TUBO RAME RET RISC KIT HYD	1
5018	64980212	ROUND MESH, VENT SCREEN (3.375 in) MAILLE RONDE, ÉCRAN D'ÉV.(3.375 in)	RUNDES MESH, ENTLÜFT.(3.375 in) MALLA RED., PANTAL.DE VENT.(3.375 in)	RONDE MESH, VENT-SCHERM (3.375 in) PROTEZIONE SCARICO FUMI (3,375 in)	0
5020	64980072	PIPE (FLOW/RETURN-D.H.W) - ½ TUYAU REFOUL./RETOUR EAU SANIT.	ROHR (FLUSS-/RÜCKLAUF-HEISSWASSER) TUBO (FLUJO/RETOR.-AGUA CALIEN.)	OUTLET WELDED PIPE SANIT KIT HYD TUBO RAME ENT/USC SANIT KIT HYD	1
5021	65111933	CONNECTOR 2P CONNECTEUR 2 POLES	STECKER 2 POL. RAST 5 CONNECTOR 2P	STEKKER 2-POLIG CONNETTORE 2 POLI	5
5022	6500605600	HYDRAULIC KIT 85S HYDRAULIC KIT 85S	HYDRAULIC KIT 85S HYDRAULIC KIT 85S	HYDRAULIC KIT 85S KIT N.A. 85S	1
	6500609700	HYDRAULIC KIT NTI 110C/120C HYDRAULIC KIT NTI 110C/120C	HYDRAULIC KIT NTI 110C/120C HYDRAULIC KIT NTI 110C/120C	HYDRAULIC KIT NTI 110C/120C KIT N.A. NTI 110C/120C	1
	6500609800	HYDRAULIC KIT NTI 150C & 110S HYDRAULIC KIT NTI 150C & 110S	HYDRAULIC KIT NTI 150C & 110S HYDRAULIC KIT NTI 150C & 110S	HYDRAULIC KIT NTI 150C & 110S KIT N.A. NTI 150C & 110S	1
5023	64980211	ROUND MESH, VENT SCREEN (2.25 in) MAILLE RONDE, ÉCRAN D'ÉV.(2,25 in)	RUNDES MESH, ENTLÜFT.(2,25 in) MALLA REDON., PANTAL.DE VENT.(2,25 in)	RONDE MESH, VENT-SCHERM (2,25 in) PROTEZIONE SCARICO FUMI (2,25 in)	0
5024	6500610800	RIDUCTORS (KIT) LIMITEURS DE DEBIT KIT	TUELLESET REDUCTOR (KIT)	DEBIETBEGRENZER (KIT) LIMITATORI DI PORTATA (KIT)	1
5025	60000625	WALL HOOK PLATINE SUPPORT MURAL	WANDHALTERPLATTE PLACA SOPORTE MURAL	WANDBEVESTIGING STAFFA D'AGGANCIAMENTO SUPERIORE	1
5026	60000627	FIXING KIT KIT FIXATION	BEFESTIGUNGSSET KIT FIJACION	BEVESTIGINGSSET KIT DI FISSAGGIO	1
5027	64980444	BRACKETS (WALL MOUNTING- BOTTOM) SUPPORTS (MONTAGE MURAL-INF.)	HALTERUNGEN (WANDMONTAGE-UNTER) SOPORTES (MONT.EN PARED-INF.)	BEUGELS (MUURBEVESTIGING- ONDER) STAFFE INF. MONT.A PARETE	1



---

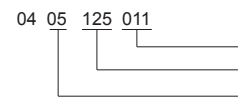
## LIST OF THE ABBREVIATIONS

HW .....	: Hot water.
CW .....	: Cold water.
C .....	: Ceramic resistance (normal heating).
Ca .....	: Ceramic resistance (accelerated heating)
TP .....	: Immersion heater.
1F .....	: With fittings.
2F .....	: Without fittings.
3F .....	: With fittings and another outlet connection.
AMI .....	: With mixing valve.
SMI .....	: Without mixing valve.
PUISS .....	: Power of th appliance.
PN .....	: Appliance with normal pression.
LP .....	: Appliance with low pression.
PV .....	: Appliance with variable power.
PF .....	: Appliance with fixed power.

## IDENTIFICATION PLATE

### SERIAL NUMBER

**10 Characters :**      04 05 125 011

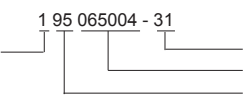


Sequential number  
Manufacturing day  
Year of manufacture

**11 Characters :**      1 95 065004 - 31

Month of manufacture :      1 95 065004 - 31

from 1 to 9 → Jan. to Sep.,  
O → Oct., N → Nov.,  
D → Dec.

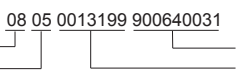


Technical number of the appliance  
Sequential number  
Year of manufacture

**19 Characters :**      08 05 0013199 900640031

Year of manufacture      08 05 0013199 900640031

Month of manufacture      08 05 0013199 900640031

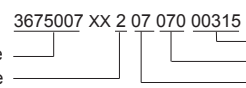


Product reference  
Sequential number

**20 Characters :**      3675007 XX 2 07 070 00315

Product reference      3675007 XX 2 07 070 00315

Millenium of manufacture      3675007 XX 2 07 070 00315

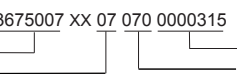


Sequential number  
Manufacturing day  
Year of manufacture

**21 Characters :**      3675007 XX 07 070 0000315

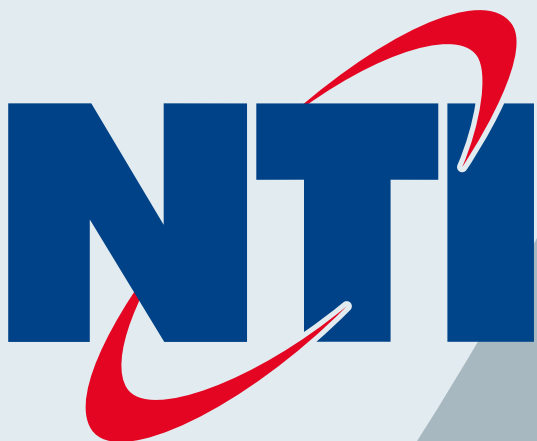
Product reference      3675007 XX 07 070 0000315

Year of manufacture      3675007 XX 07 070 0000315



Sequential number  
Manufacturing day

---



**NTI Boilers Inc.**

30 Stonegate Drive Saint John,  
NB E2H 0A4 Canada

Technical Assistance: 1-800-688-2575

Website: [www.ntiboilers.com](http://www.ntiboilers.com)

Fax: 1-506-432-1135



Visit us online