



325 COMMERCE DRIVE
 MT VERNON, OH 43050
 800-253-8236

SPECIFICATION DATA SHEET

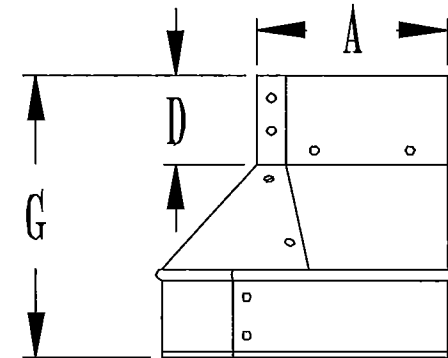
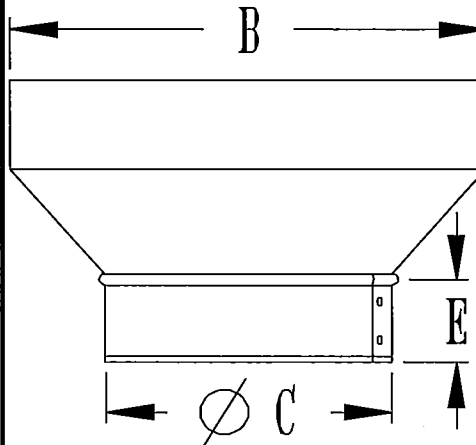
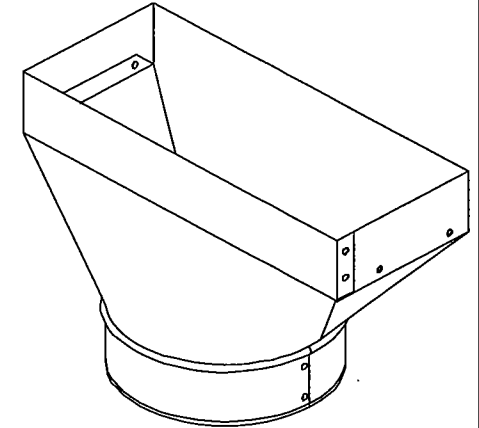
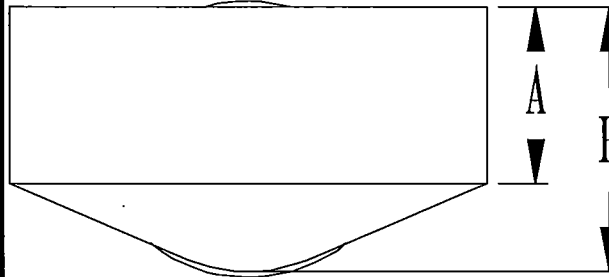
DATE: 8-7-13 PAGE: 1
 PREPARED BY: RL

MODEL NO. 772 STRAIGHT BOOT

STANDARD MODEL

DIMENSIONS

SIZE						
A	B	C	D	E	F	G
2 1/4" x 10" x 4"			2"	2 1/4"	4"	7 3/4"
2 1/4" x 10" x 5"			2"	2"-HEM	5"	7 1/8"
2 1/4" x 10" x 6"			2"	2"-HEM	6"	7 1/4"
2 1/4" x 10" x 6"			3"	2"-HEM	6"	8 1/4"
2 1/4" x 10" x 7"			2"	2"-HEM	7"	7 1/4"
2 1/4" x 12" x 5"			2"	2"-HEM	5"	7 1/8"
2 1/4" x 12" x 6"			2"	2"-HEM	6"	7 1/4"
2 1/4" x 12" x 6"			3"	2"-HEM	6"	8 1/4"
2 1/4" x 12" x 7"			2"	2"-HEM	7"	7 5/8"
2 1/4" x 12" x 8"			2"	2"-HEM	8"	7 1/2"
2 1/4" x 14" x 5"			2"	2"-HEM	5"	8 1/8"
2 1/4" x 14" x 6"			2"	2"-HEM	6"	7 5/8"
2 1/4" x 14" x 7"			2"	2"-HEM	7"	7 1/2"
3 1/4" x 10" x 4"			2"	2"-HEM	4"	7 1/2"
3 1/4" x 10" x 4"			4"	2 1/4"	4"	9 1/2"
3 1/4" x 10" x 6"			2"	2"-HEM	6"	7 1/4"
3 1/4" x 10" x 6"			4"	2"-HEM	6"	9 1/4"
3 1/4" x 10" x 7"			3"	2"-HEM	7"	8 5/8"
3 1/4" x 10" x 8"			4"	2"-HEM	8"	9 5/8"



MATERIAL SPECIFICATIONS

HOT DIPPED GALVANIZED STEEL.
 PER ASTM A 653 CSB.

BODY & COLLAR = 4"-8" COLLAR SIZE: STD GAUGE
 9" - 10" COLLAR SIZE: 28 GAUGE
 ECONO GAUGE ALSO AVAILABLE

ASSEMBLED WITH 1/8" ZINC COATED RIVETS.

OPTIONS

AVAILABLE WITH HEM ON "A" & "B" DIMENSIONS
 AVAILABLE WITH HEM ON "A" & "B" DIMENSIONS & 3/4" SLITS IN CORNERS
 AVAILABLE WITH BRACKETS ON "A" & "B" DIMENSION
 AVAILABLE WITH CRD

JOB: _____
 LOCATION: _____
 CONTRACTOR: _____
 ENGINEER: _____
 NOTES: _____



325 COMMERCE DRIVE
 MT VERNON, OH 43050
 800-253-8236

SPECIFICATION DATA SHEET

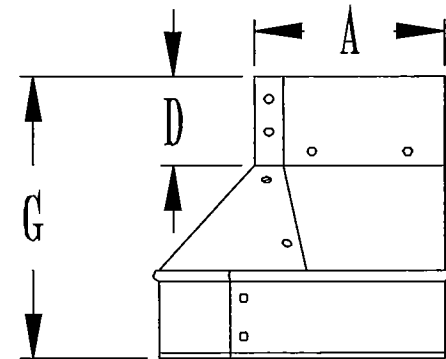
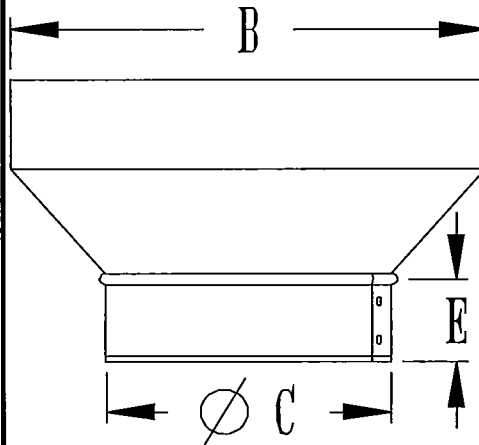
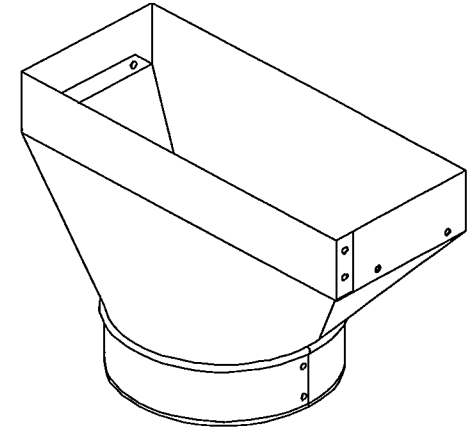
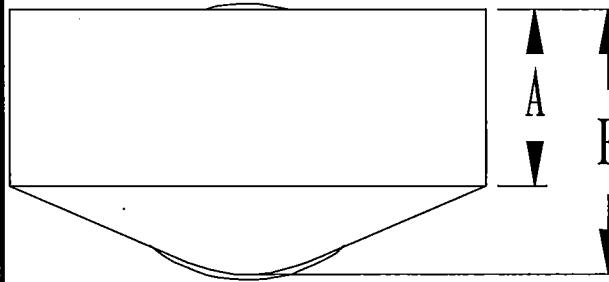
DATE: 8-7-13 PAGE: 2
 PREPARED BY: RL

MODEL NO. 772 STRAIGHT BOOT

STANDARD MODEL

DIMENSIONS

SIZE						
A	B	C	D	E	F	G
3 1/4" x	12" x	7"	2"	2"-HEM	7"	7 5/8"
3 1/4" x	14" x	8"	4"	2"-HEM	8"	7 5/8"
4" x	6" x	6"	2"	2"-HEM	6"	6 5/8"
4" x	8" x	4"	2"	2 1/4"	4"	7 3/4"
4" x	8" x	5"	2"	2"-HEM	5"	6 5/8"
4" x	10" x	4"	2"	2 1/4"	4"	7 3/4"
4" x	10" x	5"	2"	2"-HEM	5"	7 1/8"
4" x	10" x	6"	2"	2"-HEM	6"	6 5/8"
4" x	10" x	6"	3"	2"-HEM	6"	7 5/8"
4" x	10" x	6"	4"	2"-HEM	6"	8 5/8"
4" x	10" x	6"	6"	2"-HEM	6"	10 5/8"
4" x	10" x	7"	2"	2"-HEM	7"	6 3/4"
4" x	10" x	8"	2"	2"-HEM	8"	7 1/4"
4" x	12" x	4"	2"	2 1/4"	4"	7 3/4"
4" x	12" x	5"	2"	2"-HEM	5"	7 5/8"
4" x	12" x	6"	2"	2"-HEM	6"	7 1/4"
4" x	12" x	6"	3"	2"-HEM	6"	8 1/4"
4" x	12" x	7"	2"	2"-HEM	7"	6 7/8"
4" x	12" x	8"	2"	2"-HEM	8"	7 1/4"
4" x	14" x	8"	2"	2"-HEM	8"	7 3/8"



MATERIAL SPECIFICATIONS

HOT DIPPED GALVANIZED STEEL.
 PER ASTM A 653 CSB.

BODY & COLLAR = 4"-8" COLLAR SIZE: STD GAUGE
 9" - 10" COLLAR SIZE: 28 GAUGE
 ECONO GAUGE ALSO AVAILABLE

ASSEMBLED WITH 1/8" ZINC COATED RIVETS.

OPTIONS

AVAILABLE WITH HEM ON "A" & "B" DIMENSIONS
 AVAILABLE WITH HEM ON "A" & "B" DIMENSIONS & 3/4" SLITS IN CORNERS
 AVAILABLE WITH BRACKETS ON "A" & "B" DIMENSION
 AVAILABLE WITH CRD

JOB: _____
 LOCATION: _____
 CONTRACTOR: _____
 ENGINEER: _____
 NOTES: _____