

TECHNICAL SPECIFICATIONS FOR MODEL EUH

INDOOR COMMERCIAL/INDUSTRIAL LOW-STATIC AXIAL FAN ELECTRIC RESISTIVE UNIT HEATER



Table of Contents

Unit Sizes	2
Features	2
Factory-Installed Options	2
Field-Installed Options	2
Technical Data	3
Heater Throw Distances with Standard Horizontal Louvers	4
Dimensions	5
Clearances	6
Weights	6
Certification	6
Installation Codes	6

In keeping with our policy of continuous product improvement, we reserve the right to alter, at any time, the design, construction, dimensions, weights, etc., of equipment information shown here.

TECHNICAL SPECIFICATIONS—CONTINUED

Unit Sizes

These heaters are available in eight unit sizes based on heating capacity of 3,000–30,000 watts.

Features

- Voltage/phase options: 208/1, 208/3, 240/1, 240/3, and 480/3
- Painted galvanized-steel cabinet with two-tone black and white glossy, scratch-resistant paint scheme
- Reznor Robust™ housing with integrated horizontal louvers and removeable front face
- Clean rounded corners and edges with no visible screws or fasteners
- Hinged access door panel with quarter-turn latch
- Standard two-point suspension and wall hanger on all unit sizes
- Vibration- and noise-isolated fan motor designed for low-noise operation
- Full fan guard
- Enclosed stainless steel, sheathed and finned heating elements
- High-temperature limit control with automatic reset and air-proving switch protection
- External terminal strip for 24V wiring
- Unit sizes 3–10 are field-adjustable to 3-phase electrical power to reduce amperage demand and operating expense
- Unit sizes 15–30 feature two-stage operation so that heating can be tailored to actual demand to reduce unit cycling and improve comfort

Factory-Installed Options

Option	Description
AK44	Voltage option 208V-240V/1Ph (unit sizes 3–10 are field-convertible from 1Ph to 3Ph)
AK20	Voltage option 208V-240V/3Ph
AK6	Voltage option 240V/3Ph
AK7	Voltage option 480V/3Ph
BA6	Lockable, non-fused disconnect switch

Field-Installed Options

Option	Description
CL31, CL32	Multiple unit control: option CL31 includes components for one control unit and one additional unit—option CL32 includes components for each additional non-control unit
CL1	Single-stage thermostat
CL22	Two-stage thermostat
CL90	BACnet-capable thermostat
CM1	Locking cover for CL1 thermostat
CM1B	Locking cover for CL22 thermostat
CM3	Bracket assembly for mounting thermostat on unit
CN3F	Remote ON/OFF switch in 2 × 4 box
CK8	Adapts 3/8-inch hangers for two-point suspension from 1-inch threaded pipe
CK22	Angle brackets for low ceiling mounting (does not include hanger rods)
IT13	Unit-mounted thermostat

Technical Data

Parameter	Unit of Measure	Unit Size (kW)							
		3	5	7	10	15	20	25	30
Heating capacity	kW	3	5	7	10	15	20	25	30
	BTUh	10,236	17,060	23,884	34,121	51,182	68,242	85,303	102,364
Control amps, 24V	amp	1.6							
Fan motor size	HP	0.03		0.07			0.17		
Fan size	inch	10			12	16		18	
Minimum air volume (limit cutout)	CFM	125	158	296	191	263	357	446	504
	meter ³ /minute	3.54	4.476	8.38	5.40	7.44	10.11	12.63	14.27
Maximum air volume	CFM	431	479	740	957	1215	1290	1612	1663
	meter ³ /minute	12.20	13.56	20.90	27.10	34.40	36.53	45.65	47.09

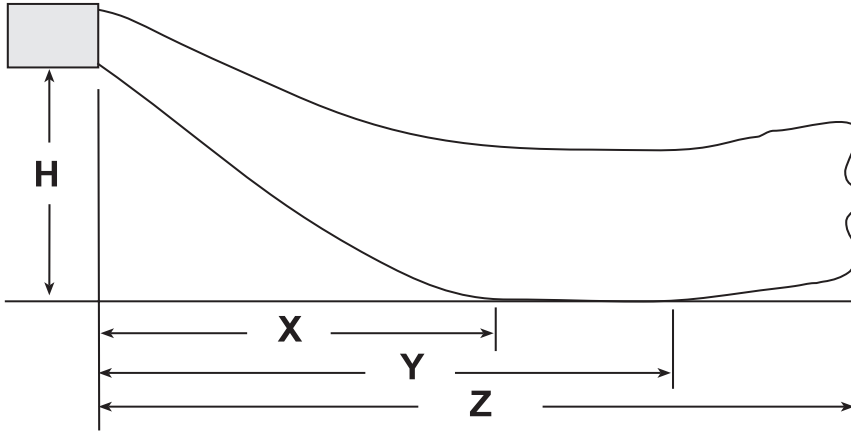
Parameter	Unit of Measure	Unit Size (kW)											
		3			5			7			10		
		Voltage											
		208	240	480	208	240	480	208	240	480	208	240	480
Nominal kW	kW	3			5			7			10		
Actual kW		2.3	3.0		4.0	5.3		5.5	7.3		7.5	9.9	
Minimum current ampacity, 1Ph	amp	11.6	13.3	6.9	19.9	22.9	11.7	27.3	31.4	16.0	37.0	42.2	21.3
Full load amps, 1Ph*		11.1	12.8	6.4	19.4	22.4	11.2	26.8	30.9	15.5	36.5	41.7	20.8
Minimum current ampacity, 3Ph		7.0	8.0	4.4	11.8	13.5	7.2	16.0	18.4	9.6	21.6	24.6	12.7
Full load amps, 3Ph*		6.5	7.5	3.9	11.3	13.0	6.7	15.5	17.9	9.1	21.1	24.1	12.2
Maximum overcurrent protection**		20.0	15.0		25.0		15.0	30.0		20.0	45.0	50.0	30.0
Temperature rise	°F	22			33			32			33		
*Includes fan motor.													
**Circuit breaker size.													

Setting	Parameter	Unit of Measure	Unit Size (kW)							
			15			20		25	30	
			Voltage							
			208	240	480	240	480	480	480	
—	Minimum current ampacity, 3Ph	amp	32.5	37.4	19.3	49.4	25.4	31.4	37.4	
Low heat	Nominal kW	kW	7.4	10.0				15.0	20.0	
	Actual kW		5.6							
	Full load amps, 3Ph*	amp	26.8	41.3	20.6	41.7	20.8	31.3	25.0	
	Maximum overcurrent protection**		40.0	45.0	25.0	60.0	40.0		45.0	
	Temperature rise	°F	19	26		24		29	28	
High heat	Nominal kW	kW	15.0	15.0		20.0		25.0	30.0	
	Actual kW		11.3							
	Full load amps, 3Ph*	amp	31.5	36.4	18.3	48.4	24.4	30.4	36.4	
	Maximum overcurrent protection**		40.0	45.0	25.0	60.0	40.0		45.0	
	Temperature rise	°F	39			49			57	
*Includes fan motor.										
**Circuit breaker size.										

TECHNICAL SPECIFICATIONS—CONTINUED

Heater Throw Distances with Standard Horizontal Louvers

The graphic shows throw patterns and the table lists throw distances for heaters suspended at varying mounting heights. The louver angles listed are relative to the top of the heater.

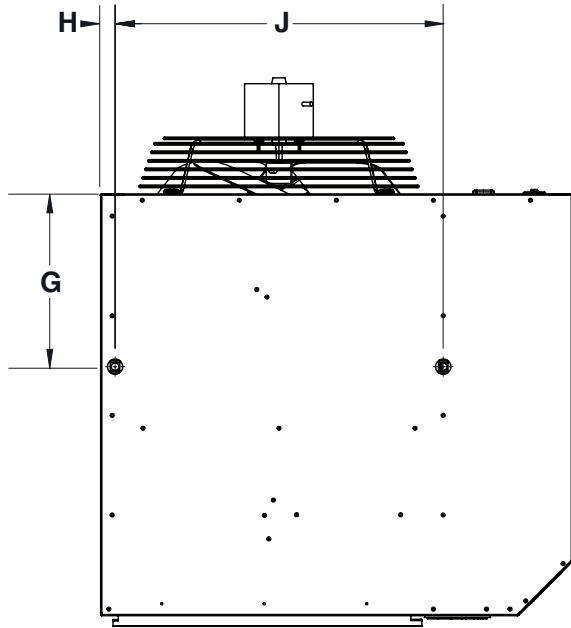


- H = Distance from bottom of heater to the floor**
- X = Distance from heater to start of floor coverage**
- Y = Distance to end of floor coverage**
- Z = Distance at which air velocity drops below 50 feet (15.2 meters) per minute**

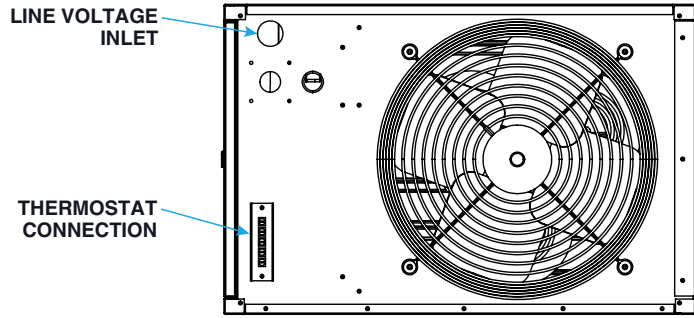
H* (Feet (Meters))	Distance* or Angle	Unit Size (kW)							
		3	5	7	10	15	20	25	30
		Feet (Meters)							
6 (1.8)	X	4 (1.2)	5 (1.5)	7 (2.1)	6 (1.8)	13 (4.0)	11 (3.4)	10 (3.0)	
	Y	8 (2.4)	13 (4.0)	15 (4.6)	14 (4.3)	19 (5.8)	23 (7.0)	28 (8.5)	27 (8.2)
	Z	18 (5.5)	22 (6.7)	36 (11.0)		37 (11.3)		42 (12.8)	41 (12.5)
	Downward louver angle	36°	27°			22°			
8 (2.4)	X	—	5 (1.5)	9 (2.7)	6 (1.8)	14 (4.3)	11 (3.4)	9 (2.7)	8 (2.4)
	Y		10 (3.0)	15 (4.6)	14 (4.3)	19 (5.8)	28 (8.5)		
	Z		16 (4.9)	32 (9.8)	36 (11.0)	37 (11.3)	39 (11.9)		
	Downward louver angle	36°	34°	30°	27°				
10 (3.0)	X	—	6 (1.8)		6 (1.8)	13 (4.0)	12 (3.7)	8 (2.4)	9 (2.7)
	Y		15 (4.6)	14 (4.3)	18 (5.5)	28 (8.5)	27 (8.2)	25 (7.6)	
	Z		26 (7.9)	34 (10.4)		38 (11.6)	36 (11.0)		
	Downward louver angle	36°			32°				
12 (3.7)	X	—	12 (3.7)	10 (3.0)	11 (3.4)	10 (3.0)	12 (3.7)	10 (3.0)	
	Y		14 (4.3)	15 (4.6)	16 (4.9)	22 (6.7)	24 (7.3)	22 (6.7)	
	Z		20 (6.1)	33 (10.0)	27 (8.2)	31 (9.4)	34 (10.4)		
	Downward louver angle	36°			45°		36°		
14 (4.3)	X	—						12 (3.7)	
	Y							18 (5.5)	16 (4.9)
	Z							25 (7.6)	
	Downward louver angle								45°

*See graphic above.

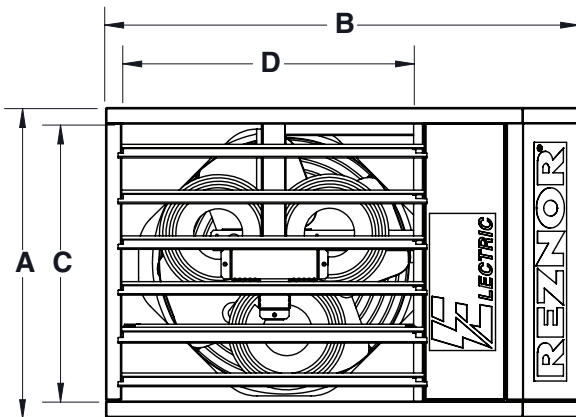
Dimensions



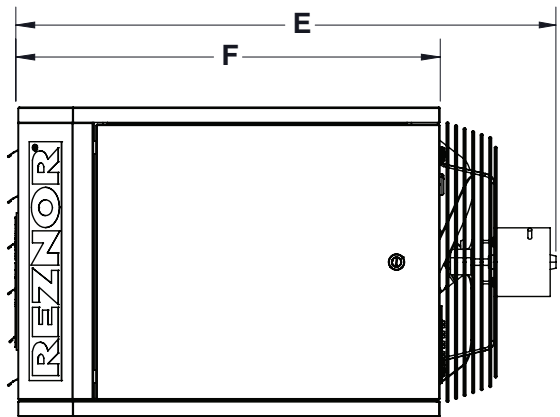
TOP VIEW



REAR VIEW



FRONT VIEW



SIDE VIEW

Cabinet Size	Unit Size (kW)	Dimension (See Graphic Above)								
		A	B	C	D	E	F	G*	H	J
Inches (mm)										
1	3, 5, 7, 10	15-1/4 (388)	23-11/32 (593)	13-5/8 (347)	14-11/32 (365)	27-31/32 (711)	20-7/8 (531)	8-9/16 (217)	25/32 (20)	16-5/32 (411)
2	15, 20, 25, 30	21-1/8 (537)	28-5/32 (716)	19-1/2 (496)	19-11/32 (492)	33-13/32 (849)	24-3/4 (629)	10-9/16 (268)		21-7/32 (539)

*Hanger dimension for two-point suspension.

TECHNICAL SPECIFICATIONS—CONTINUED

Clearances

Units must be installed so that the clearances are provided for with regards to inspection and service and for proper spacing from combustible construction. Clearance to combustibles is defined as the minimum distance from the heater to a surface or object for which it is necessary to ensure that a surface temperature of 90°F (50°C) above the surrounding ambient temperature is not exceeded.

Heater Surface	Minimum Clearance (Inches (mm))
Top	1 (25)
Access panel	21 (533)
Non-access side	1 (25)
Bottom*	1 (25)
Rear from fan motor	18 (457)

*Suspend the heater so that the bottom is a minimum of 6 feet (1.8 meters) above the floor.

Weights

Type	Unit Size (kW)							
	3	5	7	10	15	20	25	30
	Pounds (kg)							
Unit	49 (23)	50 (23.5)	51 (24)	53 (25)	82 (38)	92 (42)	97 (44)	101 (46)
Shipping	63 (28.5)	64 (29)	65 (30)	67 (31)	100 (46)	110 (50)	115 (53)	119 (54)

Certification

These electric unit heaters are listed by Intertek to UL 2021 and CSA C22.2 #46 for use in the US and Canada.

Installation Codes

- These units must be installed in accordance with local building codes. Local authorities having jurisdiction should be consulted before installation is made to verify local codes and installation procedure requirements.
- All electrical wiring and connections, including electrical grounding MUST be made in accordance with the *National Electric Code* ANSI/NFPA No. 70 (latest edition) or, in Canada, the *Canadian Electric Code*, Part 1 (CSA C.22.1). In addition, the installer should be aware of any local ordinances or gas company requirements that might apply.

NOTES

⚠ DANGER ⚠

- This heater has hot parts inside. Do not store or use gasoline or other flammable vapors and liquids in the vicinity of this or any other appliance.
- This heater is hot when in use. To avoid burns, do not let bare skin touch hot surfaces.
- Do not operate any heater after it malfunctions. Disconnect power at the service panel and have the heater inspected by a reputable electrician before reusing.
- Do not use outdoors.
- Do not insert or allow foreign objects to enter any heater opening as this may cause electrical shock, fire, or damage to the heater.
- To prevent a possible fire, do not block air intakes or exhaust in any way whatsoever.
- Use this heater only as recommended by the manufacturer. Any other use may cause electrical shock, fire, or damage to the heater.

For more information on Reznor HVAC products:

- Contact your local Reznor representative at 1-800-695-1901
- Refer to the manuals and additional consumer materials found at www.reznorhvac.com

