

Specification Submittal Data / Panasonic ERV

Description

Ceiling or wall mount Energy Recovery Ventilator (ERV) for any climate provides a tempered air supply, humidity control, and a balanced amount of exhaust to help maintain balanced, positive or negative pressure throughout the home. The Panasonic Intelli-Balance ERV is engineered for use in any North America climate zone. Built-in ASHRAE 62.2 Timing function helps ensure code compliance.

Motor/Blower:

- ERV Supply and Exhaust ventilation rates shall be manually adjustable for 30-50-60-70-80-90-100 CFM.
- ERV shall have Hi/Lo Speed; Occupant Controlled Boost Capability up to 100 CFM
- Two (2) enclosed DC brushless motors rated for continuous run.
- Power rating shall be 120 volts and 60 Hz.
- Motor equipped with thermal cut-off fuse control.
- Removable, permanently lubricated, plug-in motor.
- Power shall be supplied by hard wired method.

Housing:

- 22 gauge galvanized steel body.
- Four 4" or 6" intake and exhaust ducts.
- Built in dampers on exhaust and Outdoor Air ducts for defrost and recirculation cycling.
- Filters on supply and exhaust air extend the life of the ERV core.
- (4) Pressure ports allow for easy airflow verification.
- Pre-drilled mounting bracket can accommodate 16", 19", or 24" on center.

Maintenance:

- MERV 8 filter included; MERV 8 (FVFL0810VE1) and optional MERV 13 (FVFL1310VE1) replacements available.
- Unobtrusive alarm notifies owner for filter check and maintenance.

Warranty:

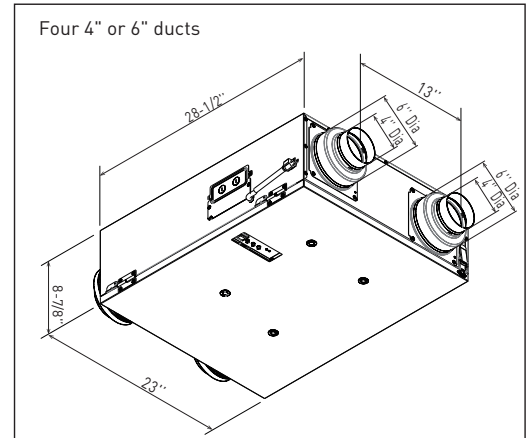
- DC Motors: 6 years from original purchase date
- All Parts: 3 Years from original purchase date.

Architectural Specifications:

ERV shall be ceiling or wall mount type with built-in speed selectors for both Supply and Exhaust air. Select from 30/50/60/70/80/90/100 with a Hi/Lo speed, occupant controlled boost capability up to 100 CFM. ERV shall have 102 Net CFM on the exhaust ports and 98 Net CFM on the supply ports as tested in accordance with HVI 915 and 916 standards at 0.1 static pressure in inches water gauge. ERV shall have 102 Net CFM on the exhaust ports and Net 100 CFM on the supply ports at 0.4" w.g. static pressure. ERV shall have Hi/Lo Speed Occupant Controlled Boost Capability. Adjusted Sensible Recovery Efficiency for heating shall be no less than 84% at 53 CFM net air flow at 32°F (0°C) as tested in accordance with CSAC439. Sensible Recovery Efficiency for heating shall be no less than 64% at 57 CFM net air flow at 13°F (-25°C). Total Recovery Efficiency for cooling shall be no less than 60% at 49 CFM net air flow at 95°F (35°C). The supply port damper shall close when outdoor temperatures are < -13°F (-25°C) to prevent freezing of the core. The (2) motors shall be totally enclosed DC brushless motors rated for continuous run. DC motor speed shall automatically increase when the fan senses static pressure to maintain selected CFM. ERV shall incorporate an ASHRAE 62.2 Timing function for code compliance. Power rating shall be 120v/60Hz. Power shall be supplied by hard wired method. Duct diameters shall be no less than 4". ERV can be used to comply with ASHRAE 62.2, Ontario, and Novoclimat requirements; LEED, IAP, California Title-24, and WA Energy Code Credits.

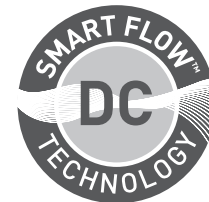
ERV Core Technology:

- Indoor and outdoor air passes through Panasonic's capillary core technology. This process tempers supply air while transferring moisture and energy.
- Built in Frost Prevention Mode prevents the core from freezing. Frost Prevention Mode is intuitive and operates without homeowner intervention.
- Core material permeated with anti-mold treatment.



FV-10VEC2

Optional Exterior Wall Cap (see next page)



DC Motor Technology

When the ERV senses static pressure, its speed is automatically increased to ensure that the desired CFM is not compromised.

For complete Installation Instructions visit na.panasonic.com/iaq

Model	Quantity	Comments	Project:
			Location:
			Architect:
			Engineer:
			Contractor:
			Submitted by:
			Date:

Panasonic
IAQ Division
Two Riverfront Plaza
Newark, NJ 07102
na.panasonic.com/iaq



*This product meets strict energy efficiency guidelines set by Natural Resources Canada and is ENERGY STAR® certified for the Canadian market only.

Panasonic

Specification Submittal Data / Panasonic ERV

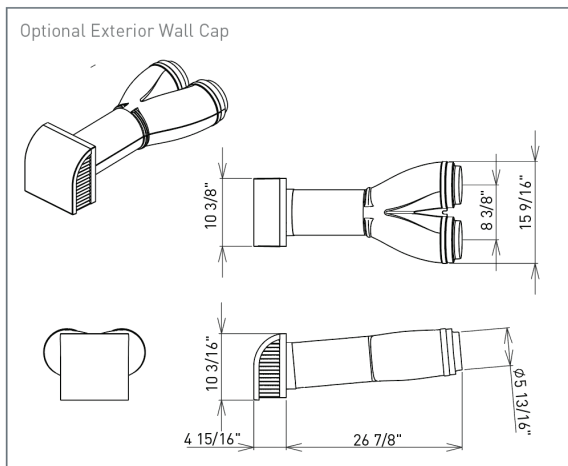
(Continued)

Specifications: Intelli-Balance 100 FV-10VEC2		
Static Pressure in inches w. g.	0.1	0.4
Gross Exhaust Air Volume (CFM)	102	102
Net Supply Air Volume (CFM)	100	100
Power Rating (V/Hz)	120/60	
ENERGY STAR [®] Certified	Yes	

Energy Performance: Intelli-Balance 100 FV-10VEC2							
Supply Temperature		Net Air Flow		Power Consumed (Watts)	Sensible Recovery Efficiency	Adjusted Sensible Recovery Efficiency	Net Moisture Transfer
°C	°F	L/S	CFM				
Heating							
0	32	25	53	29	80	83	78
0	32	31	66	39	77	81	74
0	32	40	85	68	73	77	71
-25	-13	27	57	77	65	67	71
-25	-13	30	64	100	56	60	58
Cooling				Total Recovery Efficiency			
35	95	23	49	32	60		

Optional Accessories

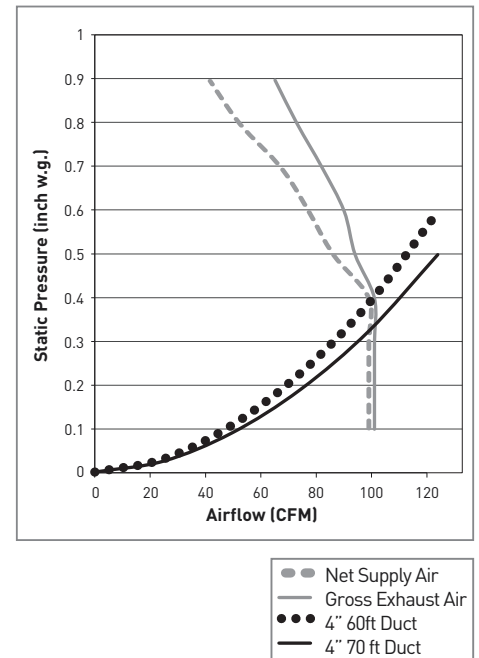
WhisperVent[™] Wall Cap



Exterior Wall Cap

FV-WC10VE1 polypropylene wall cap with polystyrene adaptor allows both exhaust (from the right) and supply (from the left) airflow through a 7.5" hole in the building envelope. The dividers inside the bottom portion of the Y shape chamber and the new wall cap shall prevent cross contamination.

Performance Curve 4" or 6" duct



Panasonic
IAQ Division
Two Riverfront Plaza
Newark, NJ 07102
na.panasonic.com/iaq



*This product meets strict energy efficiency guidelines set by Natural Resources Canada and is ENERGY STAR[®] certified for the Canadian market only.