



*Thru-the-Wall Comfort for all types of Multi-Family Construction*

**Condensing Units  
Heat Pumps  
Air Handlers  
Submittal Data**

For Approval

**Project:**

**Purchaser:**

**Date:**

*Go Thru-the-Wall*



**National Comfort Products**  
A Division of National Refrigeration and Air Conditioning Products, Inc.  
539 Dunksferry Road • Bensalem, PA 19020-5908  
(800) 523-7138 • Fax (215) 639-1674  
[www.nationalcomfortproducts.com](http://www.nationalcomfortproducts.com)

**Condensing Units NCPE Models**

Plan Designation	Quantity	Model	Description	Page
		NCPE-418-1010 /D	1000 Series R410A 1.5 ton, Thru-the-Wall 208-230/1/60 13 SEER	5
		NCPE-424-1010 /D	1000 Series R410A 2.0 ton, Thru-the-Wall 208-230/1/60 12.50 SEER	5
		NCPE-430-1010 /D	1000 Series R410A 2.5 ton, Thru-the-Wall 208-230/1/60 12 SEER	5
		NCPE-418-3010 /D	3000 Series R410A 1.5 ton, Thru-the-Wall 208-230/1/60 13 SEER	6
		NCPE-424-3010 /D	3000 Series R410A 2.0 ton, Thru-the-Wall 208-230/1/60 13 SEER	6
		NCPE-430-3010 /D	3000 Series R410A 2.5 ton, Thru-the-Wall 208-230/1/60 12 SEER	6
		NCPE-418-4010 /D	4000 Series R410A 1.5 ton, Thru-the-Wall 208-230/1/60 13 SEER	7
		NCPE-424-4010 /D	4000 Series R410A 2.0 ton, Thru-the-Wall 208-230/1/60 12.50 SEER	7
		NCPE-430-4010 /D	4000 Series R410A 2.5 ton, Thru-the-Wall 208-230/1/60 12 SEER	7
		NCPE-418-5010	5000 Series R410A 1.5 ton, Thru-the-Wall 208-230/1/60 14 SEER	8
		NCPE-424-5010	5000 Series R410A 2.0 ton, Thru-the-Wall 208-230/1/60 14 SEER	8
		NCPE-430-5010	5000 Series R410A 2.5 ton, Thru-the-Wall 208-230/1/60 14 SEER	8

**Heat Pump NHPA Models**

Plan Designation	Quantity	Model	Description	Page
		NHPA-418-3019	3000 Series R410A 1.5 ton, Thru-the-Wall Heat Pump 208-230/1/60 12 SEER 7.4HSPF	9
		NHPA-424-3019	3000 Series R410A 2.0 ton, Thru-the-Wall Heat Pump 208-230/1/60 12 SEER 7.4HSPF	9
		NHPA-418-5019	5000 Series R410A 1.5 ton, Thru-the-Wall Heat Pump 208-230/1/60 13 SEER 7.6HSPF	10
		NHPA-424-5019	3000 Series R410A 2.0 ton, Thru-the-Wall Heat Pump 208-230/1/60 13 SEER 7.6HSPF	10
		NHPA-430-5019	3000 Series R410A 2.5 ton, Thru-the-Wall Heat Pump 208-230/1/60 13 SEER 7.6HSPF	10

**Project:**

**Apartment Air Handler NCPAH-A Series Models**

Plan Designation	Quantity	Model	Description	Page
		NCPAH-24-A	Apartment Air Handler 208/230/1/60	11
		NCPAH-36-A	Apartment Air Handler 208/230/1/60	11

**Multi-Position Air Handler NCPAH-M Series Models**

Plan Designation	Quantity	Model	Description	Page
		NCPAH-24-M	Multi-Position Air Handler 208/230/1/60	12
		NCPAH-36-M	Multi-Position Air Handler 208/230/1/60	12

**Electric Heat Kit Models**

Plan Designation	Quantity	Model	Description	Page
		EHK2-05B	A Series - 5KW	13
		EHK2-08B	A Series - 7.5KW	13
		EHK2-10B	A Series - 10KW	13
		EHK-05A	M Series - 5KW	13
		EHK-08A	M Series - 8KW	13
		EHK-10A	M Series - 10KW	13
		EHK-15B	M Series - 15KW	13

Options

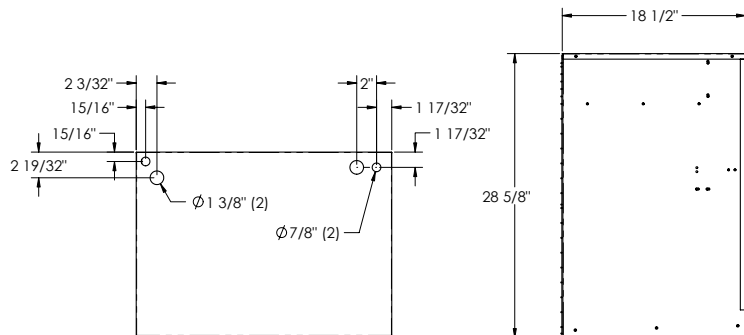
Plan Designation	Quantity	Part No.	Description	Page
		1000-WSD-12	Wall Sleeve, Dimensions 26 7/8" W x 29 5/8" H Rough in at 27 3/8" W x 30 1/8" H	14
		3000-WSD-12	Wall Sleeve, 24 7/8" W x 33" H Rough in at 25 3/8" W x 33 1/2" H	14
		4000-WSD-12	Wall Sleeve, 30 5/8" W x 24" H Rough in at 31 1/8" W x 24 1/2" H	14
		5000-WSD-12	Wall Sleeve, 28" W x 39 7/8" H Rough in at 28 1/2" W x 40 3/8" H	14
		14269035	1000 Series Anodized Aluminum Architectural Louver Grille	15
		14269036	3000 Series Anodized Aluminum Architectural Louver Grille	15
		14269037	4000 Series Anodized Aluminum Architectural Louver Grille	16
		14269038	5000 Series Anodized Aluminum Architectural Louver Grille	16
		14269035-P	1000 Series Painted Architectural Louver Grille	15
		14269036-P	3000 Series Painted Architectural Louver Grille	15
		14269037-P	4000 Series Painted Architectural Louver Grille	16
		14269038-P	5000 Series Painted Architectural Louver Grille	16
		14269035-S	1000 Series Anodized Aluminum Architectural Louver Grille to fit sleeve	17
		14269036-S	3000 Series Anodized Aluminum Architectural Louver Grille to fit sleeve	17
		14269037-S	4000 Series Anodized Aluminum Architectural Louver Grille to fit sleeve	18
		14269038-S	5000 Series Anodized Aluminum Architectural Louver Grille to fit sleeve	18
		14269035-SP	1000 Series Painted Architectural Louver Grille to fit sleeve	17
		14269036-SP	3000 Series Painted Architectural Louver Grille to fit sleeve	17
		14269037-SP	4000 Series Painted Architectural Louver Grille to fit sleeve	18
		14269038-SP	5000 Series Painted Architectural Louver Grille to fit sleeve	18

**NCPE 1000 SERIES-Condensing Unit**

Performance Data				
Models (circle D for Deluxe)	Rated Capacity (Btu/h)	Dimensions	Efficiency Ratings	Shipping Weight
<b>NCPE-418-1010 /D</b>	18,000	26 1/4" x 28 5/8" x 18 1/2"	13 SEER*	180 lbs
<b>NCPE-424-1010 /D</b>	23,000	26 1/4" x 28 5/8" x 18 1/2"	12.50 SEER*	180 lbs
<b>NCPE-430-1010 /D</b>	27,200	26 1/4" x 28 5/8" x 18 1/2"	12 SEER*	180 lbs

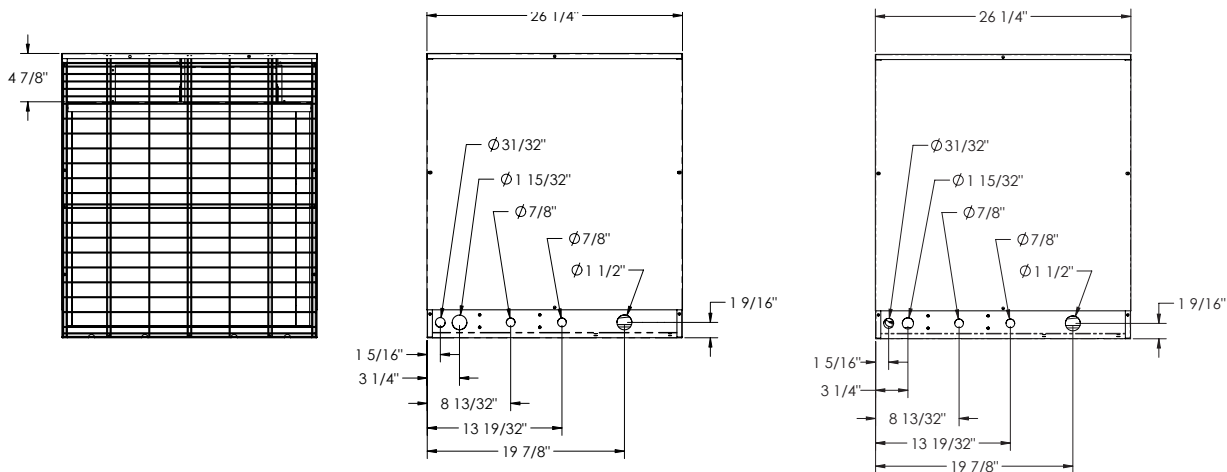
\*when matched with NCPAH-M Series Air Handlers

Electrical Data				
All units 208/230/1 AC 60HZ				
Cond. Fan Motor 1/4 HP 1.3 FLA				
Models	Compressor		Minimum Circuit Amps	Maximum Fuse
	RLA	LRA		
<b>NCPE-418-1010 /D</b>	9.0	56.3	13	20
<b>NCPE-424-1010 /D</b>	10.9	62.9	15	25
<b>NCPE-430-1010 /D</b>	12.8	67.8	18	30



- Included with /D**
- Crankcase Heater
  - Compressor Sound Cover
  - Sound Proofing Material
  - Start Device
  - Low Ambient Speed Control
  - Time Delay

**MADISON 1000 SERIES**

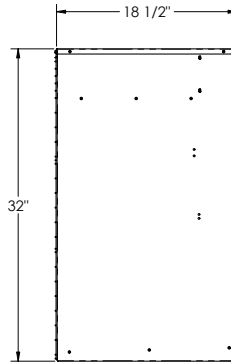
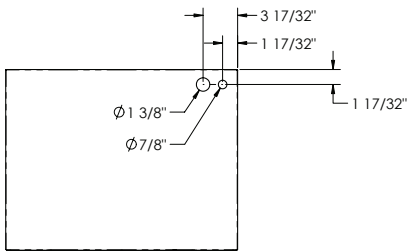


**NCPE 3000 SERIES-Condensing Unit**

Performance Data				
Models (circle D for Deluxe)	Rated Capacity (Btu/h)	Dimensions	Efficiency Ratings	Shipping Weight
NCPE-418-3010 /D	18,000	24 $\frac{1}{8}$ " x 32" x 18 $\frac{1}{2}$ "	13 SEER*	180 lbs
NCPE-424-3010 /D	23,000	24 $\frac{1}{8}$ " x 32" x 18 $\frac{1}{2}$ "	13 SEER*	180 lbs
NCPE-430-3010 /D	27,200	24 $\frac{1}{8}$ " x 32" x 18 $\frac{1}{2}$ "	12 SEER*	180 lbs

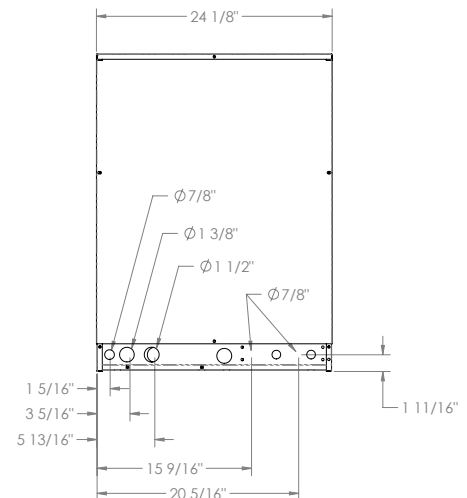
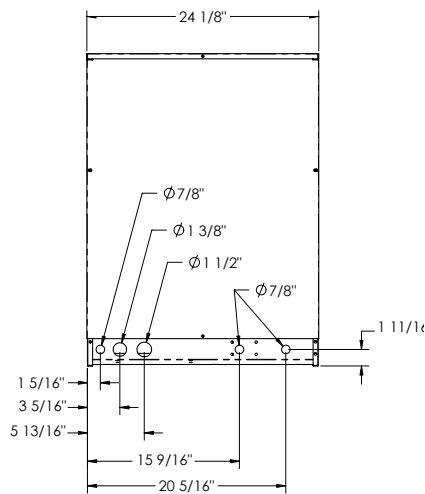
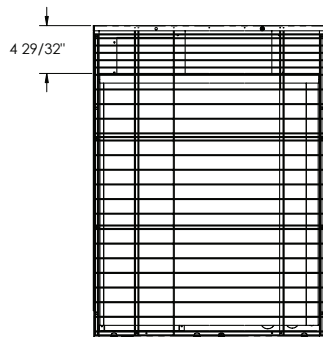
\*when matched with NCPAH-M Series Air Handlers

Electrical Data				
All units 208/230/1 AC 60HZ				
Cond. Fan Motor 1/4 HP 1.3 FLA				
Models	Compressor		Minimum Circuit Amps	Maximum Fuse
	RLA	LRA		
NCPE-418-3010 /D	9.0	56.3	13	20
NCPE-424-3010 /D	10.9	62.9	15	25
NCPE-430-3010 /D	12.8	67.8	18	30



- Included with /D**
- Crankcase Heater
  - Compressor Sound Cover
  - Sound Proofing Material
  - Start Device
  - Low Ambient Speed Control
  - Time Delay

**MADISON 3000 SERIES**

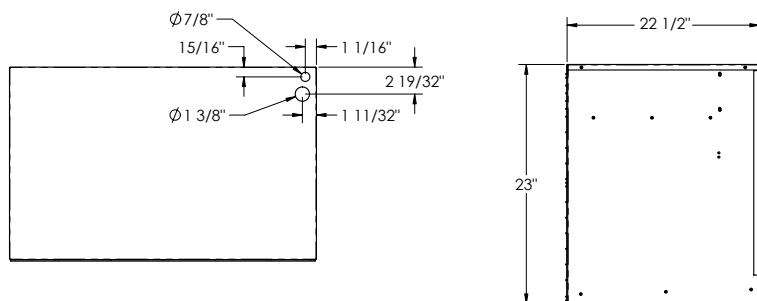


**NCPE 4000 SERIES-Condensing Unit**

Performance Data				
Models (circle D for Deluxe)	Rated Capacity (Btu/h)	Dimensions	Efficiency Ratings	Shipping Weight
NCPE-418-4010 /D	18,000	30" x 23" x 22½"	13 SEER*	180 lbs
NCPE-424-4010 /D	23,000	30" x 23" x 22½"	12.50 SEER*	180 lbs
NCPE-430-4010 /D	27,200	30" x 23" x 22½"	12 SEER*	180 lbs

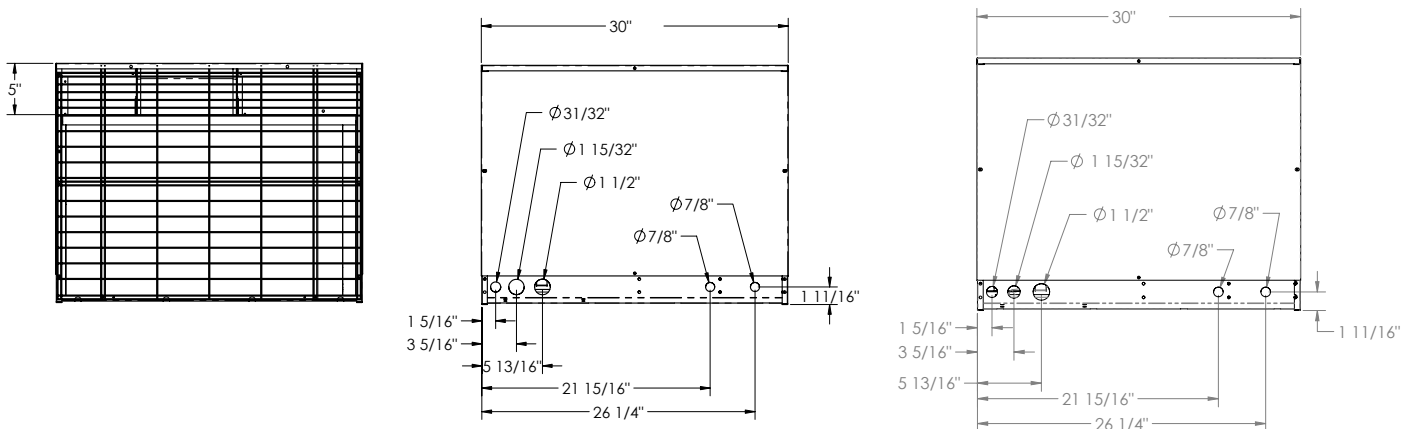
\*when matched with NCPAH-M Series Air Handlers

Electrical Data				
All units 208/230/1 AC 60HZ				
Cond. Fan Motor 1/4 HP 1.3 FLA				
Models	Compressor		Minimum Circuit Amps	Maximum Fuse
	RLA	LRA		
NCPE-418-4010 /D	9.0	56.3	13	20
NCPE-424-4010 /D	10.9	62.9	15	25
NCPE-430-4010 /D	12.8	67.8	18	30



- Included with /D**
- Crankcase Heater
  - Compressor Sound Cover
  - Sound Proofing Material
  - Start Device
  - Low Ambient Speed Control
  - Time Delay

**MADISON 4000 SERIES**



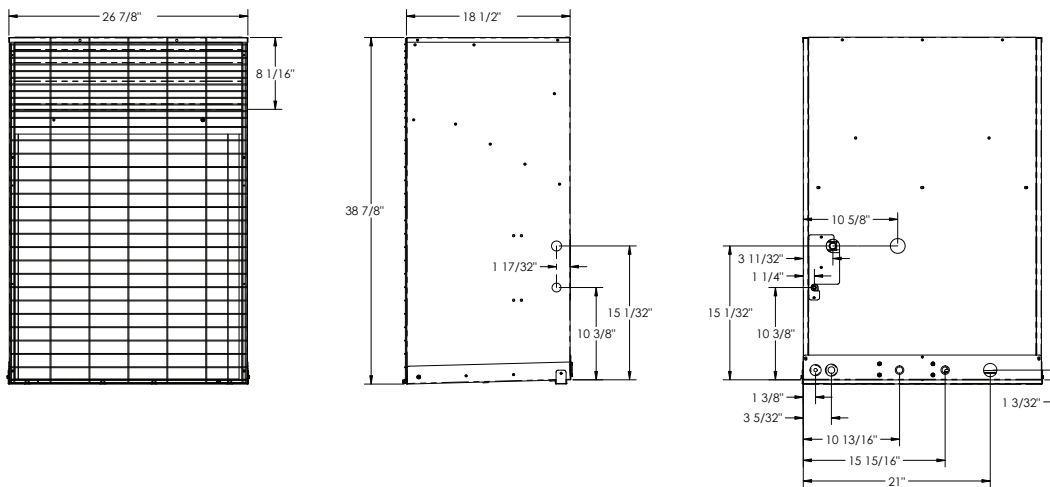
**Project:**

**NCPE 5000 SERIES-Condensing Unit**

Performance Data				
Models	Rated Capacity (Btu/h)	Dimensions	Efficiency Ratings	Shipping Weight
<b>NCPE-418-5010</b>	18,400	26 <sup>7</sup> / <sub>8</sub> " x 38 <sup>7</sup> / <sub>8</sub> " x 18 <sup>1</sup> / <sub>2</sub> "	14 SEER*	180 lbs
<b>NCPE-424-5010</b>	24,200	26 <sup>7</sup> / <sub>8</sub> " x 38 <sup>7</sup> / <sub>8</sub> " x 18 <sup>1</sup> / <sub>2</sub> "	14 SEER*	180 lbs
<b>NCPE-430-5010</b>	28,400	26 <sup>7</sup> / <sub>8</sub> " x 38 <sup>7</sup> / <sub>8</sub> " x 18 <sup>1</sup> / <sub>2</sub> "	14 SEER*	180 lbs

\*Up to 14 SEER when matched with NCPAH-M Series Air Handlers

Electrical Data - NCPE Models				
All units 208/230/1 AC 60HZ				
Cond. Fan Motor 1/5 HP 1.8 FLA				
Models	Compressor		Minimum Circuit Amps	Maximum Fuse
	RLA	LRA		
<b>NCPE-418-5010</b>	9.0	56.3	14	20
<b>NCPE-424-5010</b>	10.9	61.6	16	25
<b>NCPE-430-5010</b>	13.5	72.5	19	30

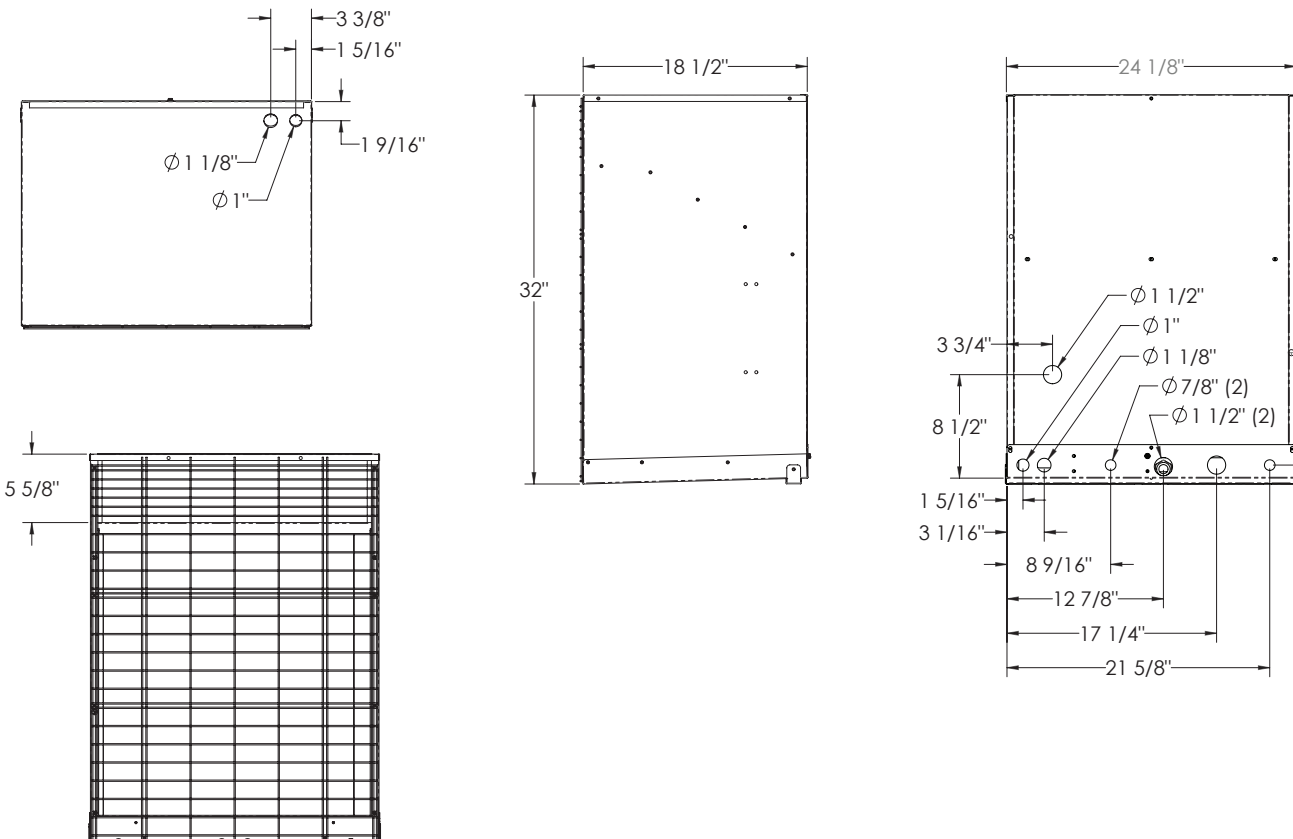




**NHPA 3000 SERIES-Heat Pump**

Performance Data					
Models	Rated Cooling Capacity (Btu/h)	Rated Heating Capacity (Btu/h)	Dimensions	Efficiency Ratings	Shipping Weight
<b>NHPA-418-3019</b>	18,200	@ 47°F - 16,100	24 $\frac{1}{8}$ " x 32" x 18 $\frac{1}{2}$ "	12 SEER 7.4 HSPF	180 lbs
		@ 35°F - 13,300			
		@ 17°F - 9,900			
<b>NHPA-424-3019</b>	22,200	@ 47°F - 19,000	24 $\frac{1}{8}$ " x 32" x 18 $\frac{1}{2}$ "	12 SEER 7.4 HSPF	180 lbs
		@ 35°F - 15,200			
		@ 17°F - 11,400			

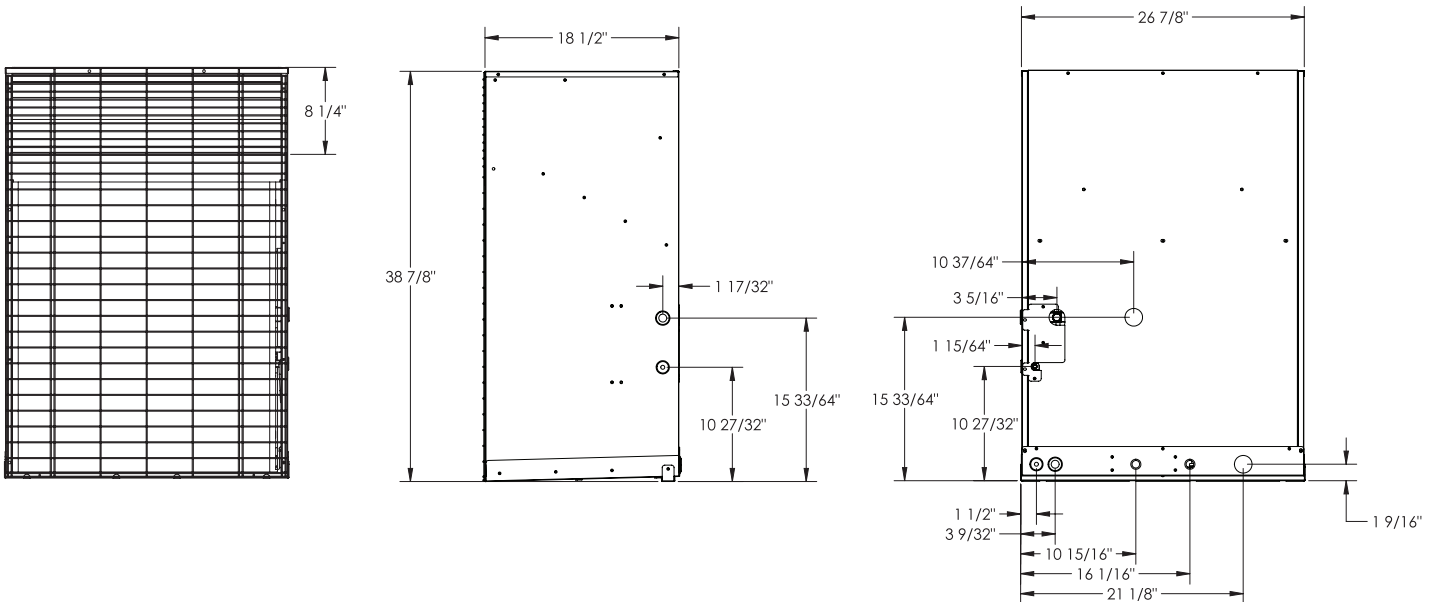
Electrical Data				
All units 208/230/1 AC 60HZ				
Cond. Fan Motor 1/4 HP 1.3 FLA				
Models	Compressor		Minimum Circuit Amps	Maximum Fuse
	RLA	LRA		
<b>NHPA-418-3019</b>	9.0	56.3	14	20
<b>NHPA-424-3019</b>	10.9	62.9	16	25



**NHPA 5000 SERIES-Heat Pump**

Performance Data					
Models	Rated Cooling Capacity (Btu/h)	Rated Heating Capacity (Btu/h)	Dimensions	Efficiency Ratings	Shipping Weight
<b>NHPA-418-5019</b>	18,000	@ 47°F - 15,500	26 <sup>7</sup> / <sub>8</sub> " x 38 <sup>7</sup> / <sub>8</sub> " x 18 <sup>1</sup> / <sub>2</sub> "	13 SEER 7.6 HSPF	190 lbs
		@ 35°F - 13,400			
		@ 17°F - 9,700			
<b>NHPA-424-5019</b>	22,800	@ 47°F - 21,400	26 <sup>7</sup> / <sub>8</sub> " x 38 <sup>7</sup> / <sub>8</sub> " x 18 <sup>1</sup> / <sub>2</sub> "	13 SEER 7.6 HSPF	190 lbs
		@ 35°F - 18,000			
		@ 17°F - 13,600			
<b>NHPA-430-5019</b>	26,800	@ 47°F - 23,600	26 <sup>7</sup> / <sub>8</sub> " x 38 <sup>7</sup> / <sub>8</sub> " x 18 <sup>1</sup> / <sub>2</sub> "	13 SEER 7.6 HSPF	190 lbs
		@ 35°F - 18,400			
		@ 17°F - 14,300			

Electrical Data				
All units 208/230/1 AC 60HZ				
Cond. Fan Motor 1/5 HP 1.8 FLA				
Models	Compressor		Minimum Circuit Amps	Maximum Fuse
	RLA	LRA		
<b>NHPA-418-5019</b>	9.0	56.3	14	20
<b>NHPA-424-5019</b>	10.9	61.6	16	25
<b>NHPA-430-5019</b>	12.8	67.8	19	30

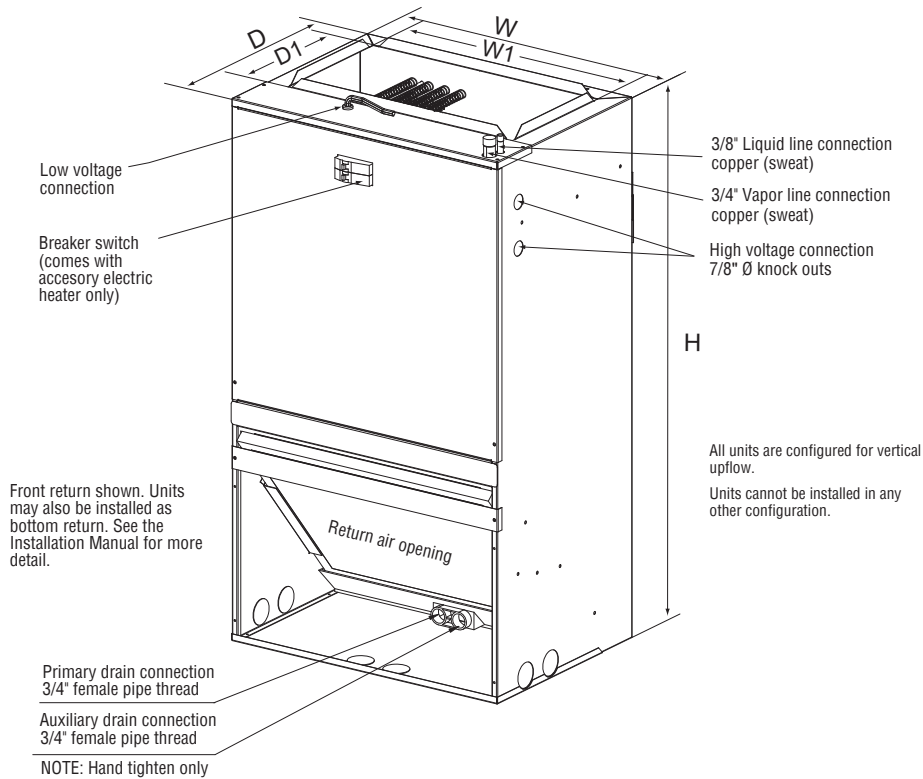


**Project:**

Apartment Air Handler NCPAH-A Series

Performance Data											
All units 208/230V 1 Ph 60 Hz											
Model	Nominal BTU	Size (TONS)	Nominal CFM		Motor HP	Motor RPMS	FLA	MCA	MOP	Indoor Sound dB(A)	Filter Size Inch
<b>NCPAH-24-A</b>	24,000	2 Ton	600	900	1/3	1050	1.9	2.4	15	49	16" x 20"
<b>NCPAH-36-A</b>	36,000	3 Ton	900	1350	1/2	1050	2.7	3.4	15	54	20" x 20"

Dimensional Data								
Model	Dimensions inch							Shipping Weight
	H	W	W1	D	D1	Flow Control	Line Sizes	
<b>NCPAH-24-A</b>	36 1/2"	20 1/2"	17 4/5"	15"	9 1/2"	TXV	3/8" & 3/4"	99 lbs
<b>NCPAH-36-A</b>	39 1/2"	22"	18 3/4"	19"	9 1/2"	TXV	3/8" & 3/4"	121 lbs



**Project:**

**Multi-Position Air Handler NCPAH-M Series**

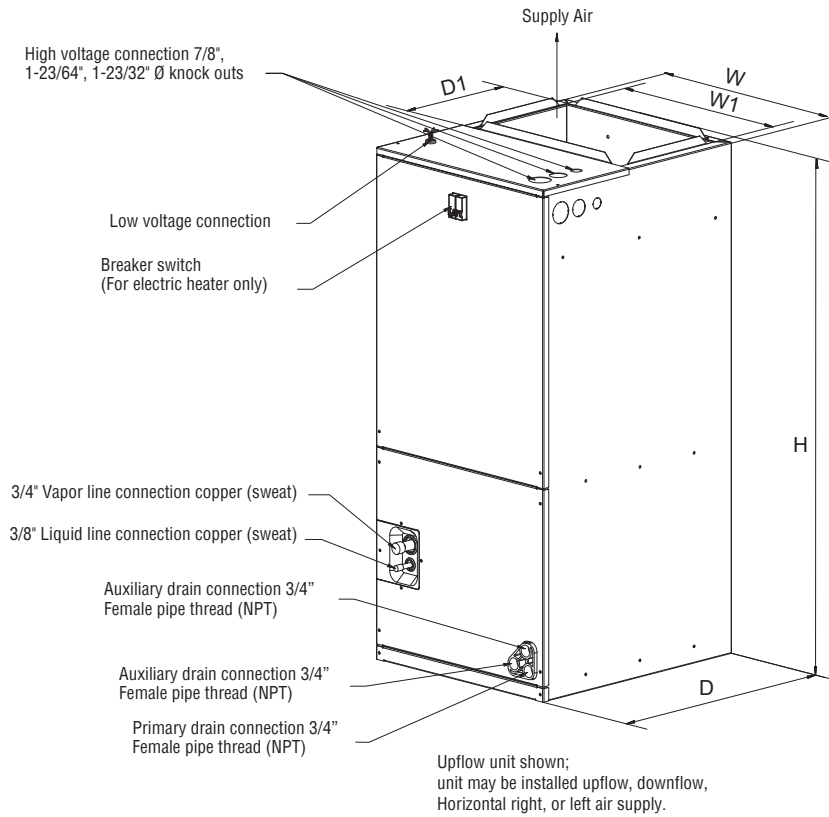
**Performance Data**

All units 208/230V 1 Ph 60 Hz

Model	Nominal BTU	Size (TONS)	Nominal CFM		Motor HP	Motor RPMS	FLA	MCA	MOP	Indoor Sound dB(A)	Filter Size Inch
<b>NCPAH-24-M</b>	24,000	2 Ton	600	900	1/3	1050	2.8	3.5	15	63	18" x 20"
<b>NCPAH-36-M</b>	36,000	3 Ton	1000	1350	1/2	1050	4.1	5.1	15	65	20" x 22"

**Dimensional Data**

Model	Dimensions inch						Shipping Weight
	H	W	D	A	Flow Control	Line Sizes	
<b>NCPAH-24-M</b>	46 1/2"	19 5/8"	21 5/8"	18"	TXV	3/8" & 3/4"	132 lbs
<b>NCPAH-36-M</b>	54 1/2"	22"	24"	19 1/2"	TXV	3/8" & 3/4"	178 lbs



**Project:**

**Electric Heat Kit A Series MCA/MOP Data**

Heat Kit Model	Air Handler Model	(kW) Electric Heat	MIN Circuit Ampacity		MAX Fuse or Breaker (HACR) Ampacity	
			230	208	230	208
EHK2-05B	24	5	27.1	23.7	30	25
EHK2-08B		7.5	40.2	35.0	45	40
EHK2-10B		10	53.2	46.2	60	50
EHK2-05B	36	5	28.3	24.8	30	25
EHK2-08B		7.5	41.3	36.1	45	40
EHK2-10B		10	54.3	47.4	60	50

**Electric Heat Kit M Series MCA/MOP Data**

Heat Kit Model	Air Handler Model	(kW) Electric Heat	MIN Circuit Ampacity		MAX Fuse or Breaker (HACR) Ampacity	
			240	208	240	208
EHK-05A	24	5	26	23	30	25
EHK-08A		7.5	39	34	45	40
EHK-10A		10	52	45	60	50
EHK-05A	36	5	26	23	30	25
EHK-08A		7.5	39	34	45	40
EHK-10A		10	52	45	60	50
EHK-15B		15	78	68	90	80

**Project:**

**Wall Sleeve**

**1000 -WSD-12**

26  $\frac{7}{8}$ " W x 29  $\frac{5}{8}$ " H

Rough in at 27  $\frac{3}{8}$ " W x 30  $\frac{1}{8}$ " H

**3000 -WSD-12**

24  $\frac{7}{8}$ " W x 33" H

Rough in at 25  $\frac{3}{8}$ " W x 33  $\frac{1}{2}$ " H

**4000 -WSD-12**

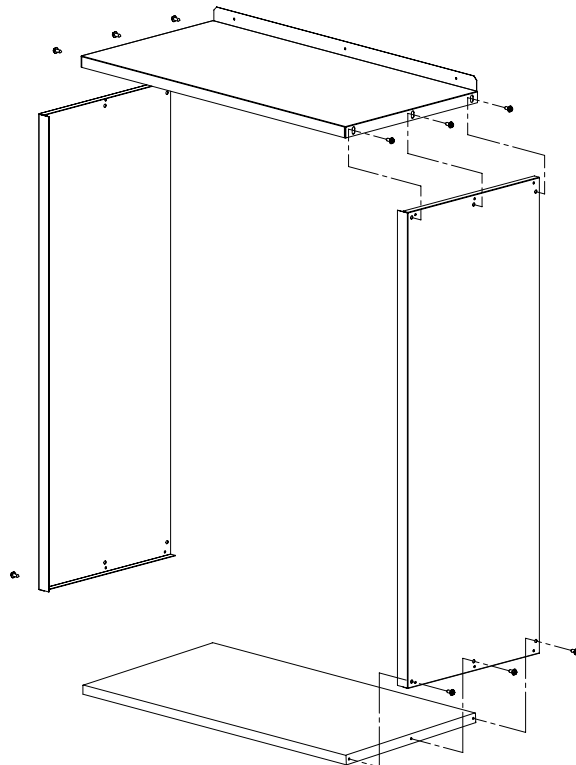
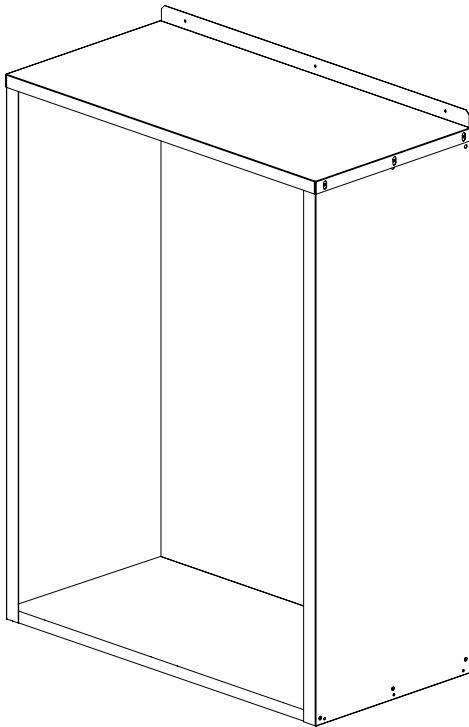
30  $\frac{5}{8}$ " W x 24" H

Rough in at 31  $\frac{1}{8}$ " W x 24  $\frac{1}{2}$ " H

**5000 -WSD-12**

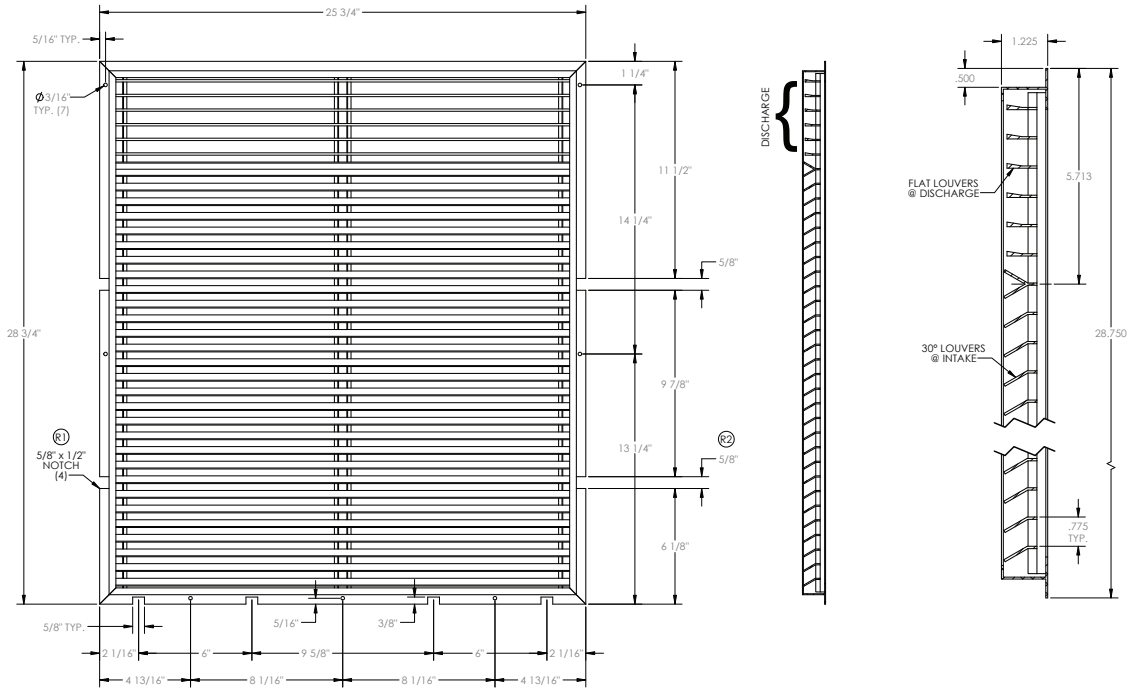
28" W x 39  $\frac{7}{8}$ " H

Rough in at 28  $\frac{1}{2}$ " W x 40  $\frac{3}{8}$ " H

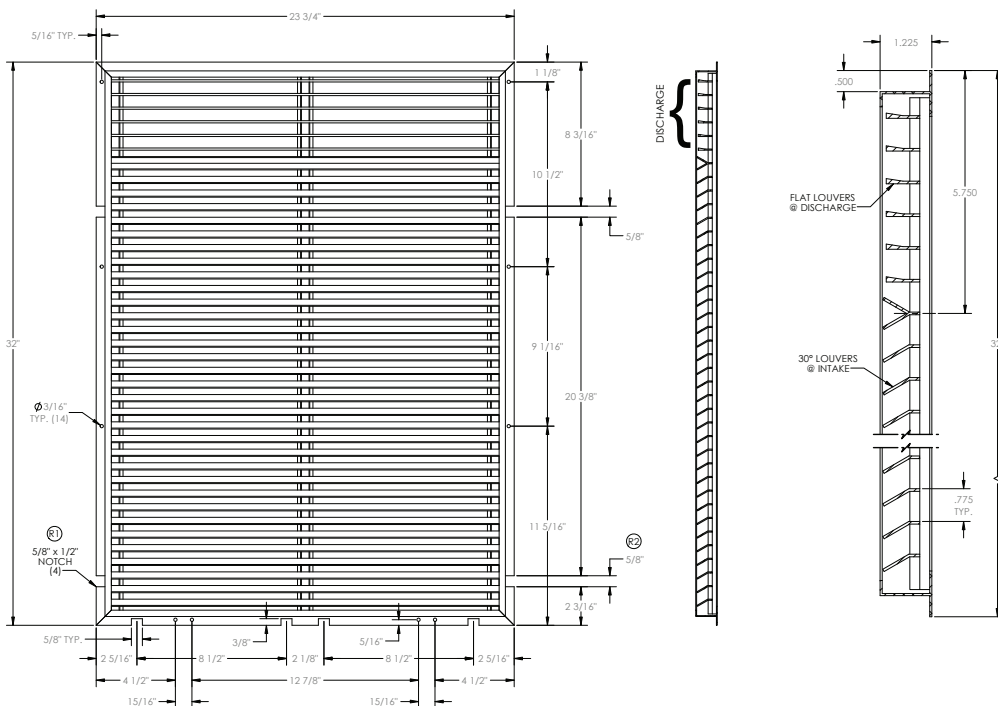


**Architectural Louver Grilles**

**14269035 (1000)** (anodized aluminum finish)  
**14269035-P (1000)** (painted finish)

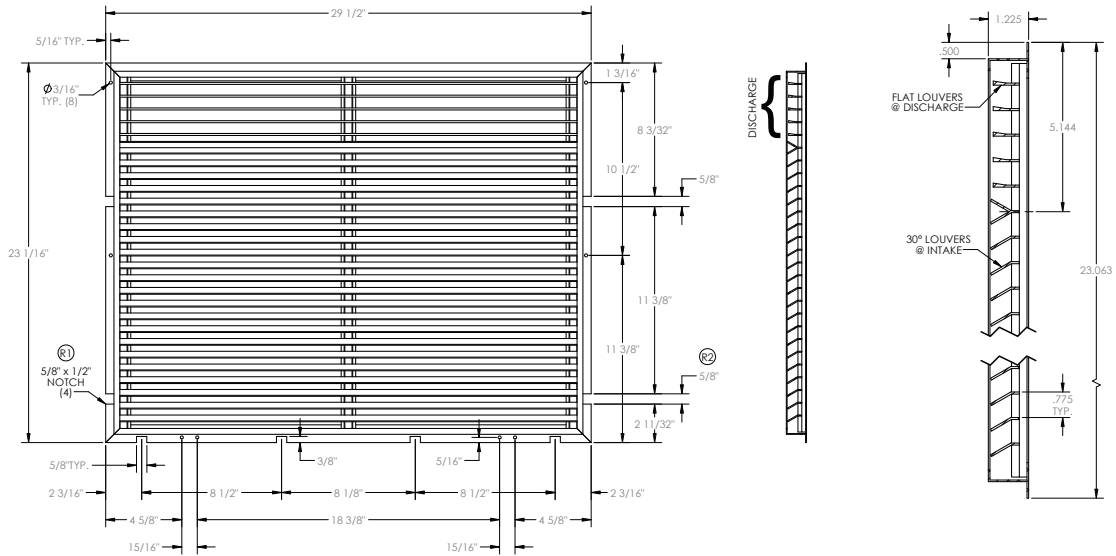


**14269036 (3000)** (anodized aluminum finish)  
**14269036-P (3000)** (painted finish)

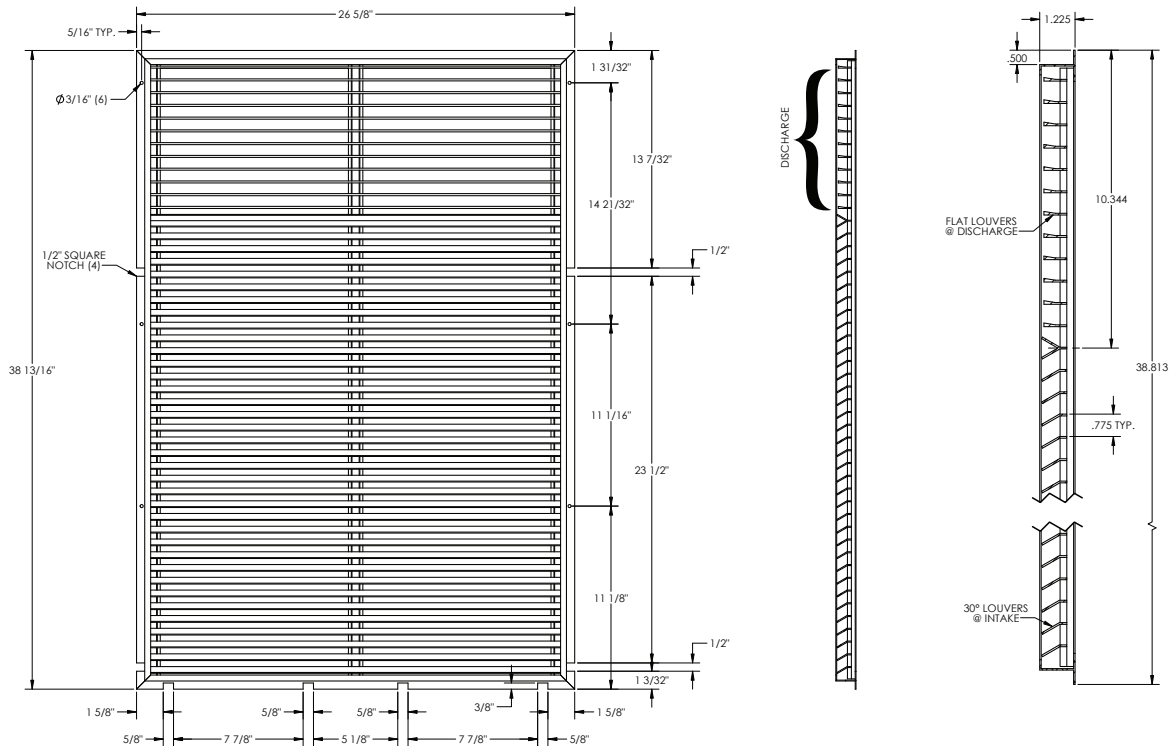


**Architectural Louver Grilles**

**14269037 (4000)** (anodized aluminum finish)  
**14269037-P (4000)** (painted finish)



**14269038 (5000)** (anodized aluminum finish)  
**14269038-P (5000)** (painted finish)



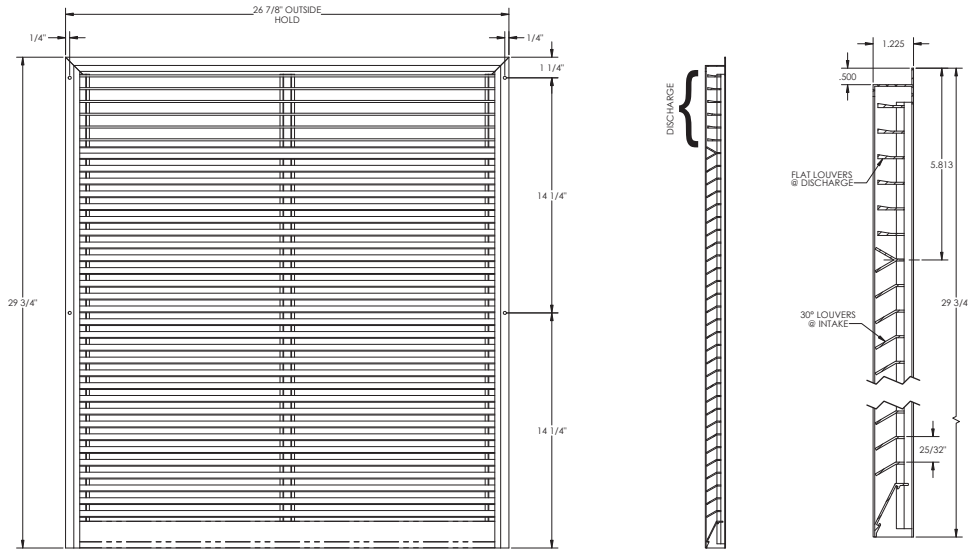


**Project:**

Architectural Louver Grilles to fit sleeve

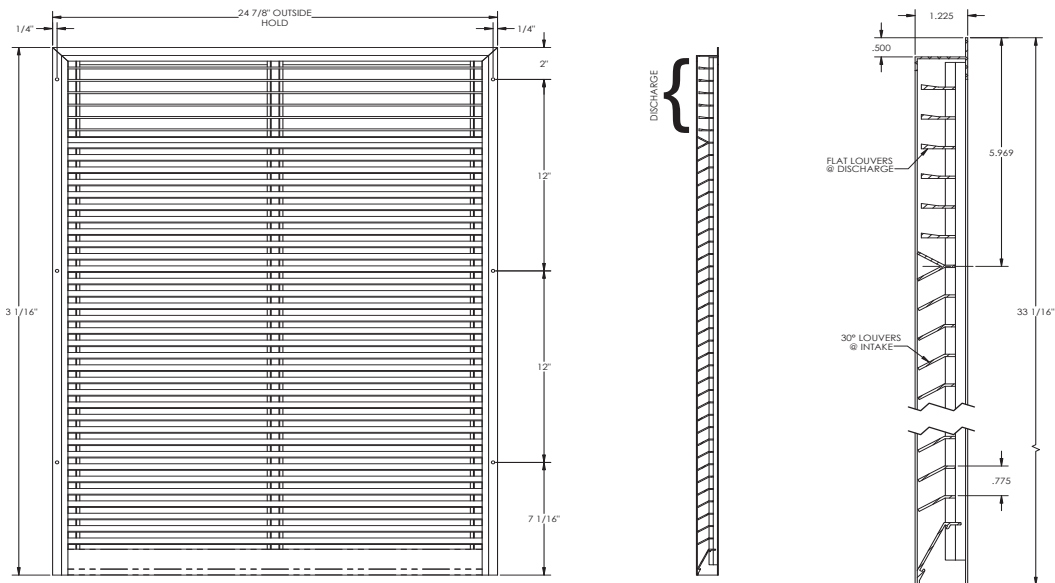
**14269035-S (1000)** (anodized aluminum finish)

**14269035-SP (1000)** (painted finish)



**14269036-S (3000)** (anodized aluminum finish)

**14269036-SP (3000)** (painted finish)

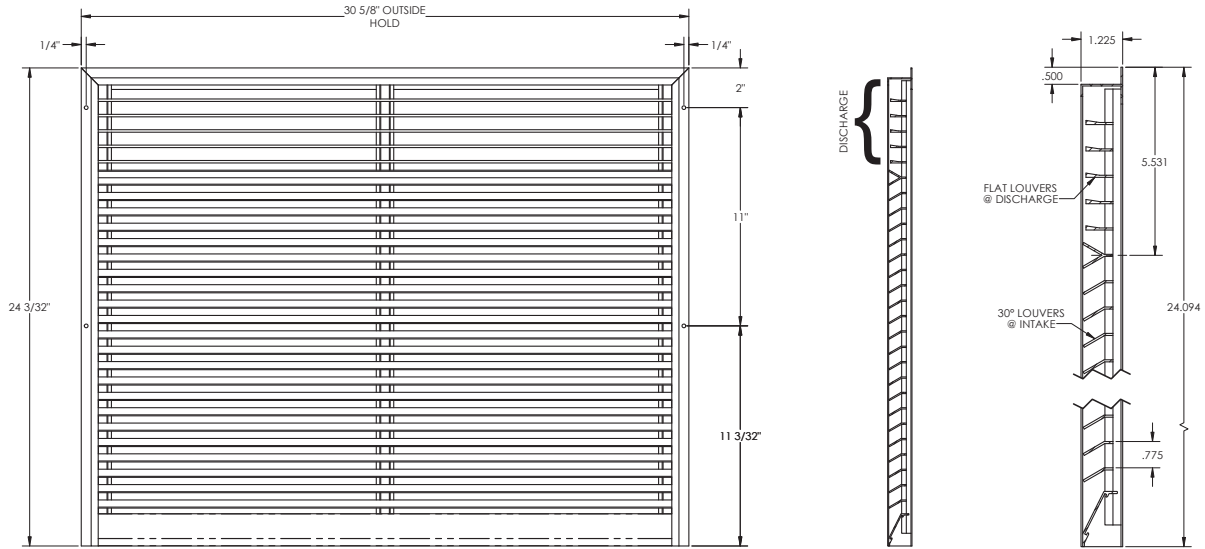


**Project:**

Architectural Louver Grilles to fit sleeve

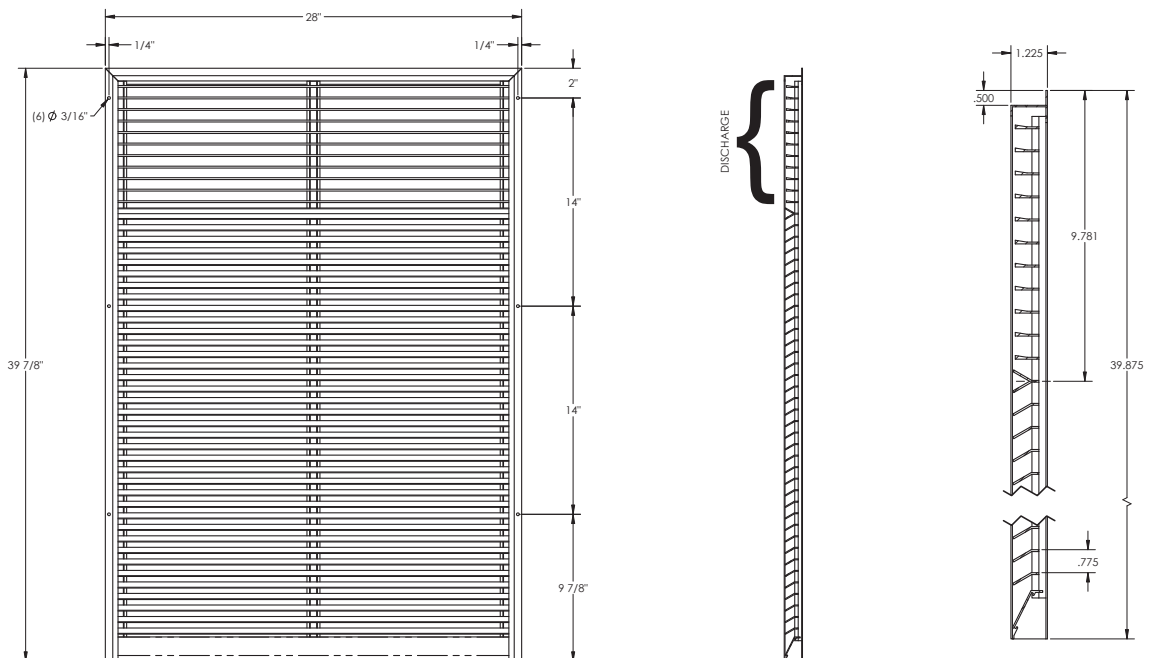
14269037-S (4000) (anodized aluminum finish)

14269037-SP (4000) (painted finish)



14269038-S (5000) (anodized aluminum finish)

14269038-SP (5000) (painted)



# Notes

---

---

---

---

---

---

---

---

---

---

---

---

---

---

---

---

---

---

---

---

---

---

---

---

---

Air Handler Warranty



Condensing Unit & Heat Pump Warranty

