

PROJECT: _____	UNIT TAG: _____	QUANTITY: _____
REPRESENTATIVE: _____	TYPE OF SERVICE: _____	DATE: _____
ENGINEER: _____	SUBMITTED BY: _____	DATE: _____
CONTRACTOR: _____	APPROVED BY: _____	DATE: _____
	ORDER NO.: _____	DATE: _____

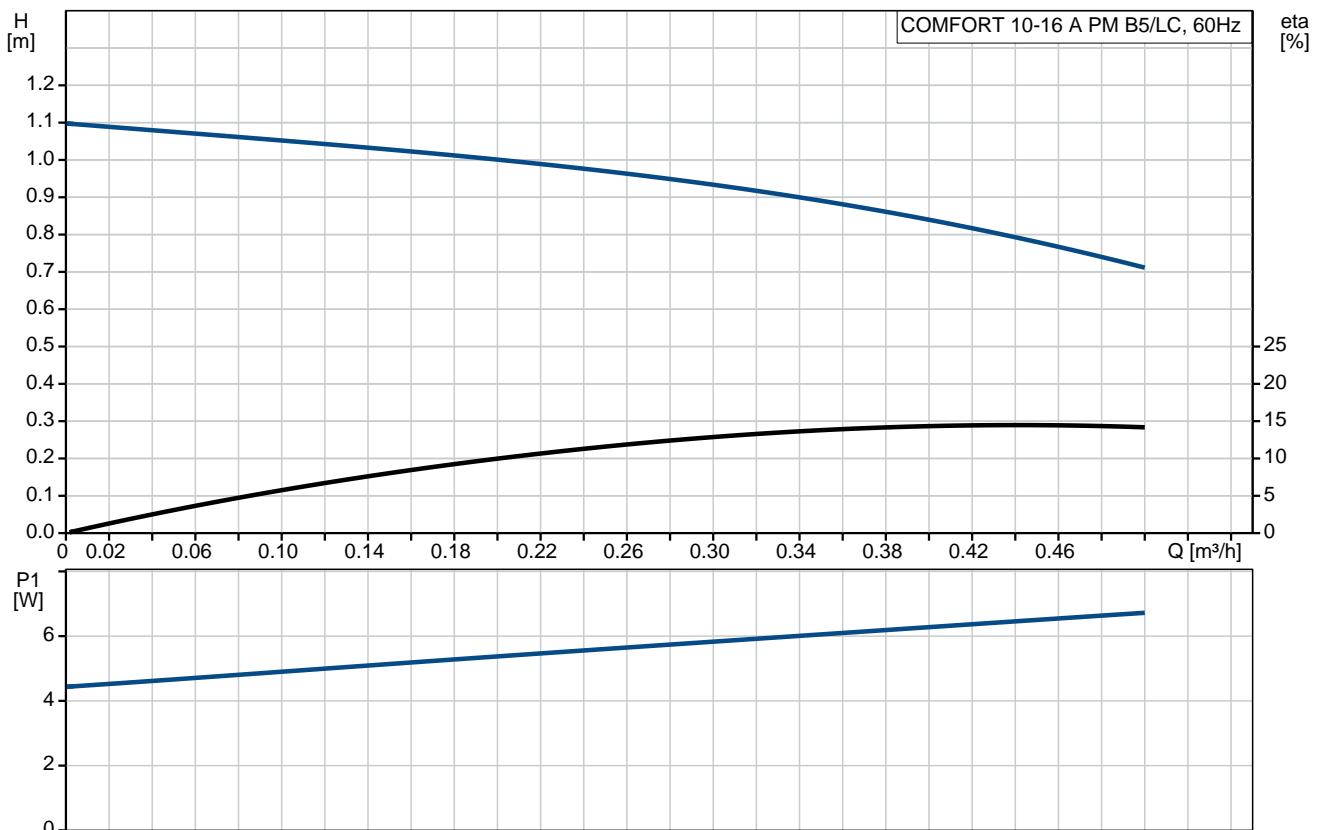


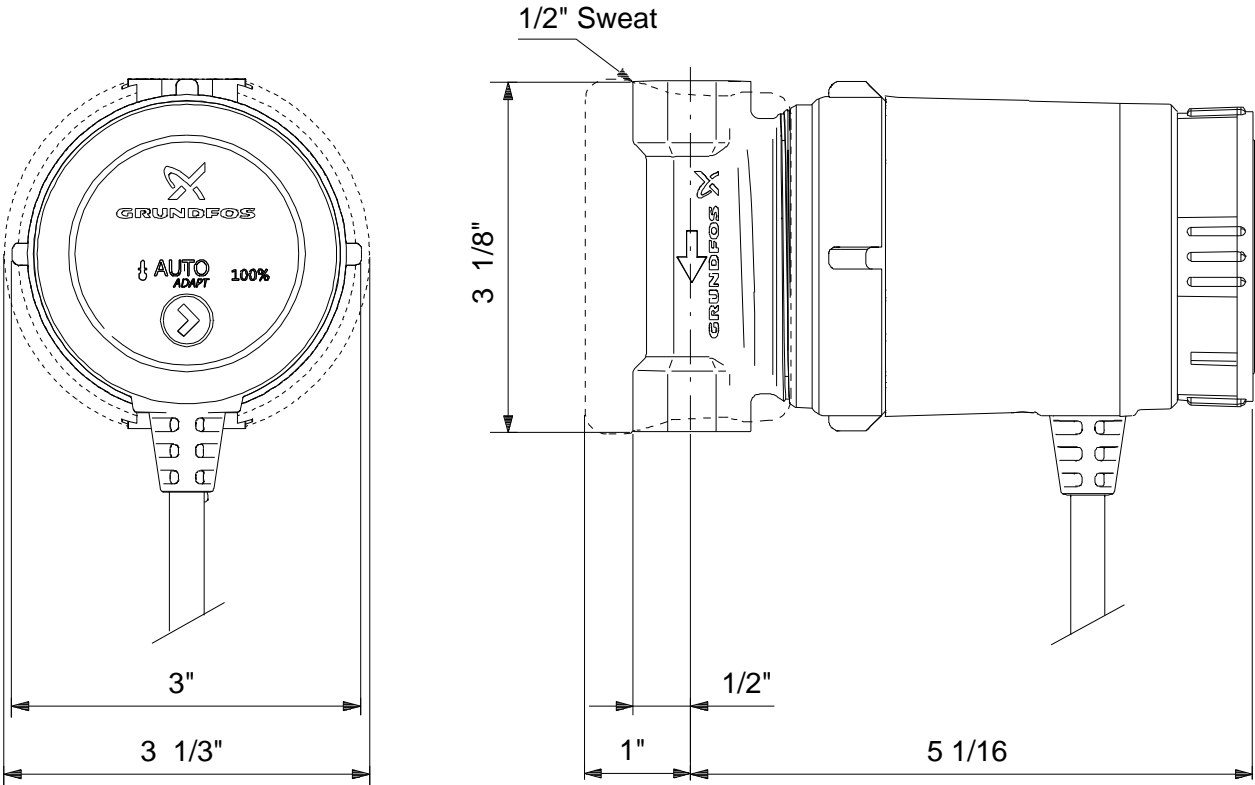
COMFORT 10-16 A PM B5/LC

Domestic hot water pumps

Note! Product picture may differ from actual product

Conditions of Service	Pump Data	Motor Data
Flow: _____	Maximum operating pressure: 10 bar	Max. power input: 6 W
Head: _____	Liquid temperature range: 2 .. 95 °C	Rated voltage: 115-230 V
Efficiency: _____	Approvals: UL,CSA	Mains frequency: 60 Hz
Liquid: Water	Flange standard: USA Sweat	Enclosure class: IP44
Temperature: 60 °C	Pipe connection: 1/2" Sweat	Insulation class: F
NPSH required: m	Product number: On request	Motor protection: NONE
Viscosity: _____		Thermal protection: IMPE
Specific Gravity: 0.985		





Materials:
Pump housing: Ecobrass
Impeller: Stainless steel, EPDM, PPO,
PTFE, Graphit

Tender Text



Note! Product picture may differ from actual product

Product No.: On request

COMFORT 10-16 A PM B5/LC

The high-efficiency Grundfos Comfort PM range is a product for domestic hotwater re-circulation with lead free drinking water suitable pump housing for single- and two-family houses powered by a high efficiency single-phase, 12-pole, permanent-magnet motor.

Features and benefits:

- * Quick and simple electrical installation due to 1,5m cable incl. power plug
- * dry running detection
- * Easy-to-clean and lime-insensitive spheric rotor
- * Wearless operation due to liquid lubricated bearing
- * No leakage risk due to a static seal
- * Easy maintenance and cleaning through the easy-to-separate pump head fitting almost all competitor pump housings
- * Corrosion resistant lead free brass pump housing
- * No additional motor protection necessary due to integrated motor electronics

Liquid:

Pumped liquid: Water
Liquid temperature range: 2 .. 95 °C
Liquid temperature during operation: 60 °C
Density: 983.2 kg/m³

Technical:

TF class: 95
Approvals on nameplate: UL, CSA

Materials:

Pump housing: Ecobrass
Impeller: Stainless steel, EPDM, PPO, PTFE, Graphit

Installation:

Maximum operating pressure: 10 bar
Flange standard: USA Sweat
Pipe connection: 1/2" Sweat
Pressure rating: 10
Port-to-port length: 80 mm

Electrical data:

Max. power input: 6 W
Mains frequency: 60 Hz



Company name:

Created by:

Phone:


Date:

28/11/2017

Rated voltage: 1 x 115-230 V
Current in speed 3: 0,10/0,07 A
Capacitor size - run: 0.6 μ F
Enclosure class (IEC 34-5): IP44
Insulation class (IEC 85): F
Cable type: Connecting cord with plug
Type of cable plug: NEMA 5-15P

Others:

Net weight: 1.18 kg
Gross weight: 1.72 kg
Shipping volume: 0.003 m³

Position	Qty.	Description
	1	<p>COMFORT 10-16 A PM B5/LC</p>  <p>Note! Product picture may differ from actual product</p> <p>Product No.: On request</p> <p>The high-efficiency Grundfos Comfort PM range is a product for domestic hotwater re-circulation with lead free drinking water suitable pump housing for single- and two-family houses powered by a high efficiency single-phase, 12-pole, permanent-magnet motor.</p> <p>Features and benefits:</p> <ul style="list-style-type: none"> * Quick and simple electrical installation due to 1,5m cable incl. power plug * dry running detection * Easy-to-clean and lime-insensitive spheric rotor * Wearless operation due to liquid lubricated bearing * No leakage risk due to a static seal * Easy maintenance and cleaning through the easy-to-separate pump head fitting almost all competitor pump housings * Corrosion resistant lead free brass pump housing * No additional motor protection necessary due to integrated motor electronics <p>Liquid: Pumped liquid: Water Liquid temperature range: 2 .. 95 °C Liquid temperature during operation: 60 °C Density: 983.2 kg/m³</p> <p>Technical: TF class: 95 Approvals on nameplate: UL,CSA</p> <p>Materials: Pump housing: Ecobrass Impeller: Stainless steel, EPDM, PPO, PTFE, Graphit</p> <p>Installation: Maximum operating pressure: 10 bar Flange standard: USA Sweat Pipe connection: 1/2" Sweat Pressure rating: 10 Port-to-port length: 80 mm</p> <p>Electrical data: Max. power input: 6 W Mains frequency: 60 Hz Rated voltage: 1 x 115-230 V Current in speed 3: 0,10/0,07 A</p>



Company name:

Created by:

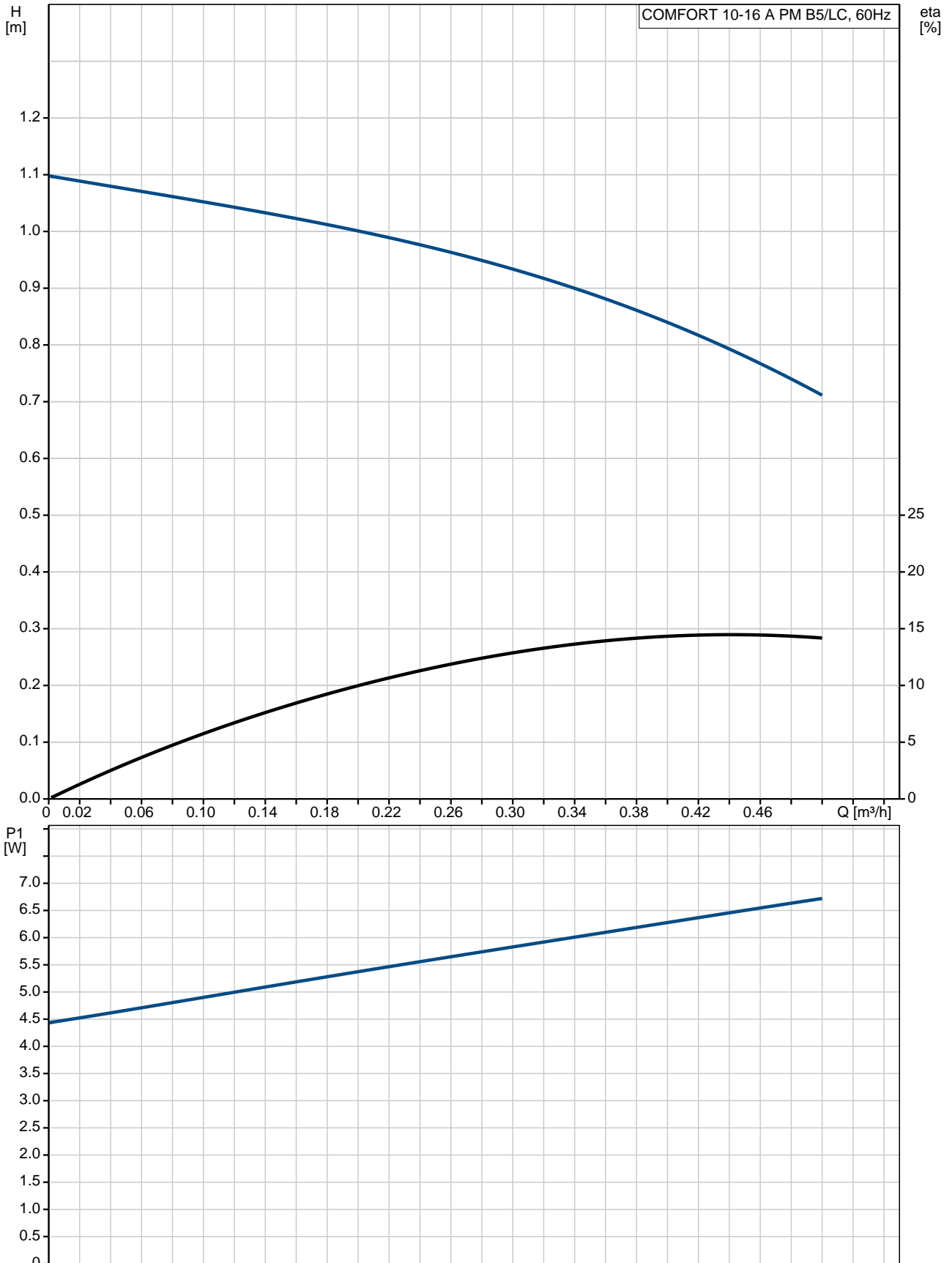
Phone:

Date:

28/11/2017

Position	Qty.	Description
		Capacitor size - run: 0.6 μ F Enclosure class (IEC 34-5): IP44 Insulation class (IEC 85): F Cable type: Connecting cord with plug Type of cable plug: NEMA 5-15P Others: Net weight: 1.18 kg Gross weight: 1.72 kg Shipping volume: 0.003 m ³

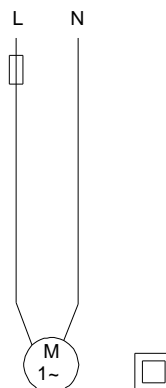
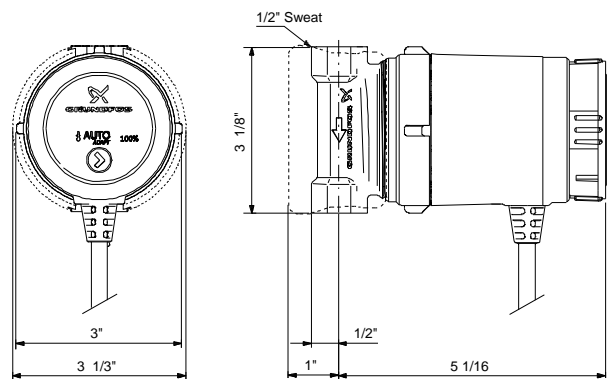
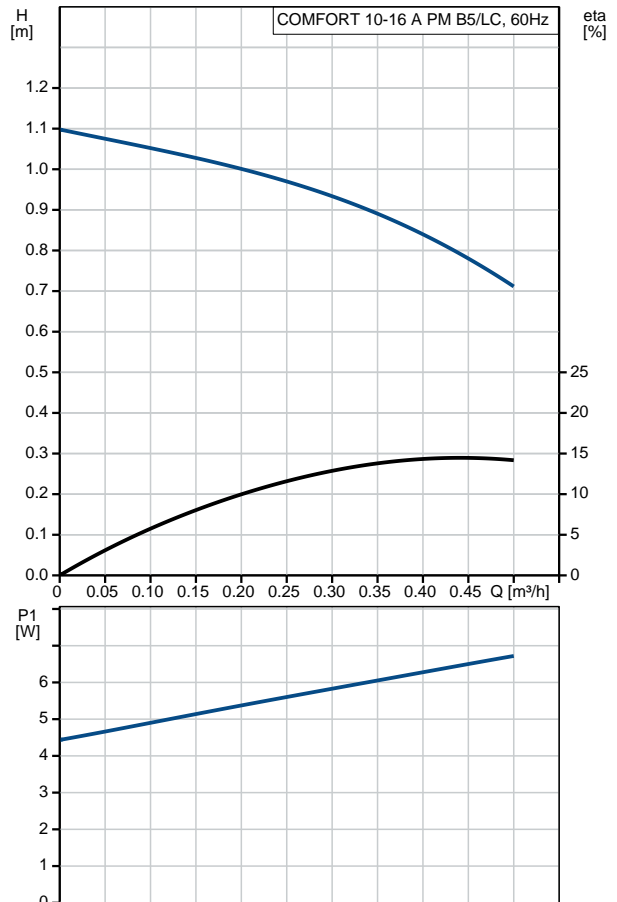
On request COMFORT 10-16 A PM B5/LC 60 Hz



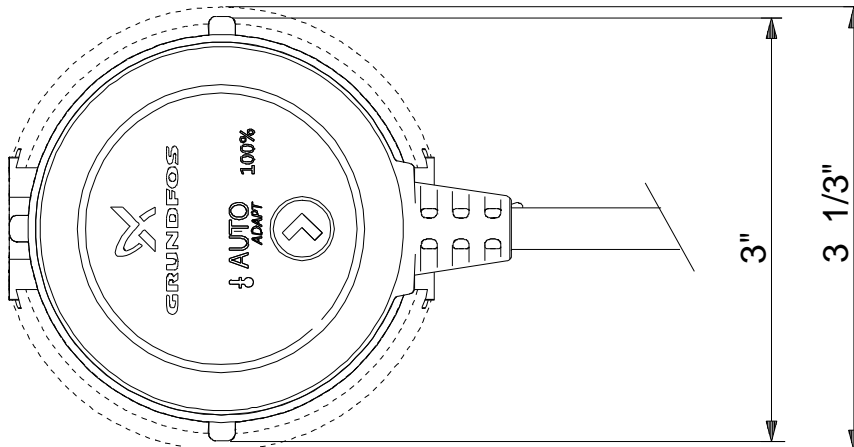
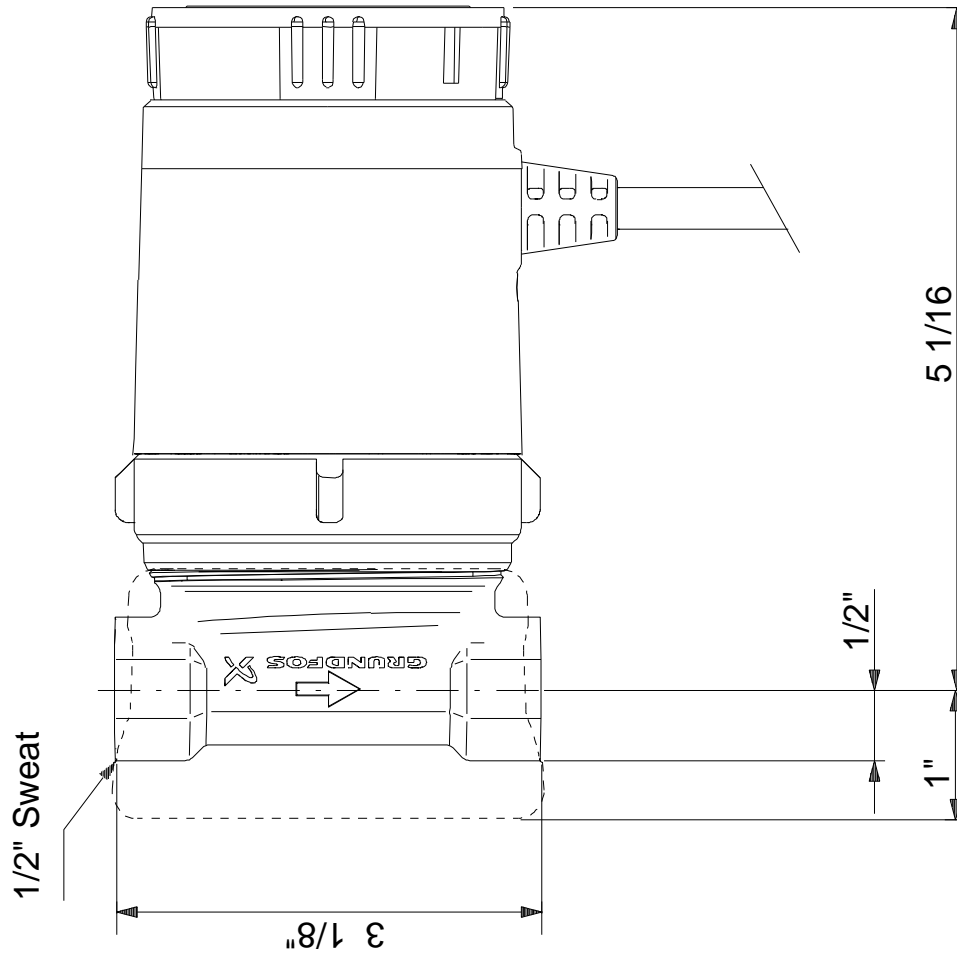
Description	Value
General information:	
Product name:	COMFORT 10-16 A PM B5/LC
Product No:	On request
EAN number:	On request
Technical:	
Speed no:	1
Head max:	16 dm
TF class:	95
Approvals on nameplate:	UL, CSA
Materials:	
Pump housing:	Ecobrass
Impeller:	Stainless steel, EPDM, PPO, PTFE, Graphit
Installation:	
Maximum operating pressure:	10 bar
Flange standard:	USA Sweat
Pipe connection:	1/2" Sweat
Pressure rating:	10
Port-to-port length:	80 mm
Liquid:	
Pumped liquid:	Water
Liquid temperature range:	2 .. 95 °C
Liquid temperature during operation:	60 °C
Density:	983.2 kg/m ³

Electrical data:	
Max. power input:	6 W
Mains frequency:	60 Hz
Rated voltage:	1 x 115-230 V
Current in speed 3:	0,10/0,07 A
Capacitor size - run:	0.6 µF
Enclosure class (IEC 34-5):	IP44
Insulation class (IEC 85):	F
Motor protec:	NONE
Thermal protec:	IMPE
Cable type:	Connecting cord with plug
Type of cable plug:	NEMA 5-15P

Others:	
Net weight:	1.18 kg
Gross weight:	1.72 kg
Shipping volume:	0.003 m ³



On request COMFORT 10-16 A PM B5/LC 60 Hz



Note! All units are in [mm] unless others are stated.
Disclaimer: This simplified dimensional drawing does not show all details.

On request COMFORT 10-16 A PM B5/LC 60 Hz



Note! All units are in [mm] unless others are stated.



Company name:

Created by:

Phone:

Date: 28/11/2017

Order Data:

Product name: COMFORT 10-16 A PM B5/LC

Amount: 1

Product No: On request

Total: Price on request
