

ERV

NEW!

EV SERIES PREMIUM

**SINGLE/MULTI-FAMILY,
LIGHT COMMERCIAL**

- ◆ 50–240 CFM
- ◆ Commercial-grade appliance, often used for multi-family units
- ◆ Features: EC motors (standard), boost mode capability, Dial-A-Flow controls, Plug-in power
- ◆ MERV 13 filter accessory



 **RenewAire**[®]
Energy Recovery Ventilation

EV PREMIUM SERIES SINGLE/MULTI-FAMILY, LIGHT COMMERCIAL ERV

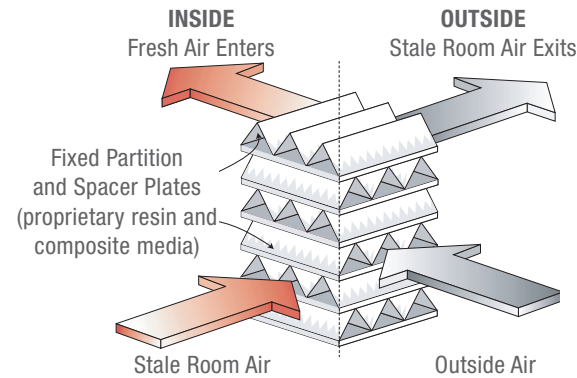
BALANCED VENTILATION & INDOOR AIR QUALITY

As new buildings get tighter to seal weather out, they seal in contaminants, causing deficient indoor air quality (IAQ). Since people spend, on average, 90% of their time indoors¹, and indoor air can be two to five times—and up to 100 times—more polluted than outdoor air², indoor air quality has very real impacts on health and cognitive function.

AIRSTREAMS DO NOT MIX & POLLUTANTS ARE NOT TRANSFERRED ACROSS PARTITION PLATES

HIGHEST-QUALITY INDOOR AIR

Our EV Premium Series ERVs can improve indoor air quality by removing contaminants, such as off-gassing from carpeting, furniture and building materials, excess humidity and mold. Our technology takes stale indoor air and replaces it with fresh, conditioned and filtered outdoor air.



ASHRAE 62.2

The American Society of Heating, Refrigeration and Air Conditioning Engineers (ASHRAE) 62.2 committee has established a residential ventilation standard for buildings three stories and less, known as the *Ventilation and Acceptable Indoor Air Quality in Low-Rise Residential Buildings*. The goal of this standard and its continuous revisions are to not only evaluate and recommend every building's minimum ventilation needs, but also emphasize indoor air quality and its relationship with occupant health.

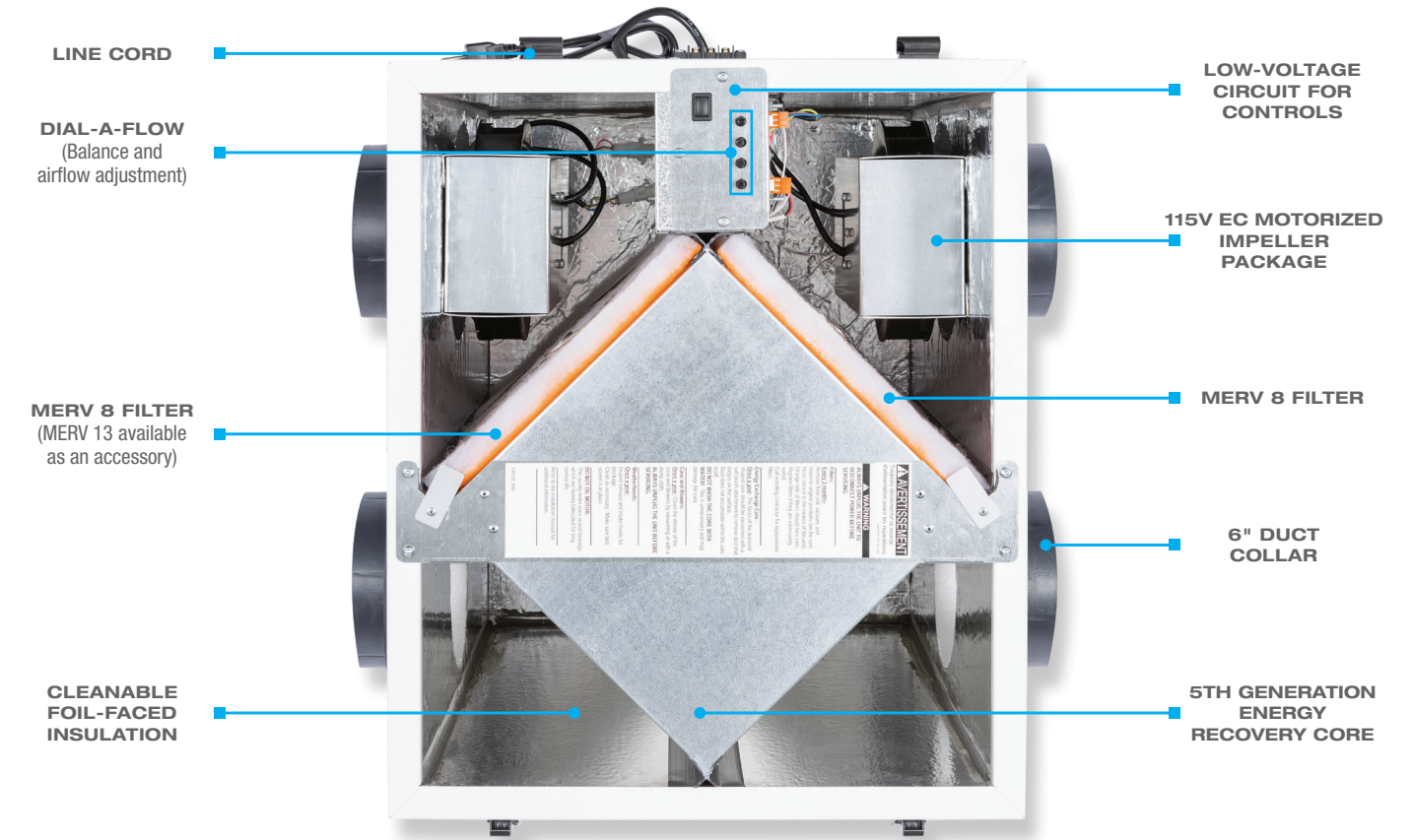
See the chart below to calculate the minimum ventilation required for your home: .03 x sq. ft. + 7.5 (bedroom +1). For example, a 2,200 sq. ft. home with 4 bedrooms requires a minimum of 104 CFM (accounts for infiltration).

MINIMUM VENTILATION AIRFLOW REQUIRED BY HOME SIZE

SQUARE FEET	<500'	501'-1000'	1001'-1500'	1501'-2000'	2001'-2500'	2501'-3000'	3001'-3500'	3501'-4000'
1 BEDROOM	30	45	60	75	90	105	120	135
2 BEDROOMS	38	53	68	83	98	113	128	143
3 BEDROOMS	45	60	75	90	105	120	135	150
4 BEDROOMS	53	68	83	98	113	128	143	158
5 BEDROOMS	60	75	90	105	120	135	150	165

EV PREMIUM SERIES

Commercial-grade RenewAire EV Premium Series ERVs offer everything provided by the EV130 Series, plus even more benefits. Ideal for single- and multi-family structures, as well as light-commercial buildings, these ERVs incorporate high-efficiency EC-motor fans to meet strict California energy codes. The EV Premium Series ERVs also include a new Dial-A-Flow controller that allows users to set airflow for maximizing comfort. In addition, these ERVs have boost-mode capabilities with MERV 13 filters as an accessory to further enhance IAQ.



RENEWAIRE CORE TECHNOLOGY

CERTIFICATION

- Certified by the Air Conditioning, Heating and Refrigeration Institute (AHRI) for an industry-leading low-to-zero Exhaust Air Transfer Ratio (EATR) at typical static pressure differentials
- Superior core flammability performance; passes UL-723 and UL-1812

MAINTENANCE

- RenewAire cores are easy to clean without removing them from the unit, and they never require washing

INNOVATIVE CONSTRUCTION

- Core exchanger material is cellulosic-based and doesn't contain or use halogenated flame retardants or PVCs
- Manufactured with a galvanized steel frame

RELIABILITY

- An industry-leading 10-year structural and performance warranty for the static-plate core, two-year warranty for commercial products and five-year warranty for residential products

EXCEPTIONAL PERFORMANCE

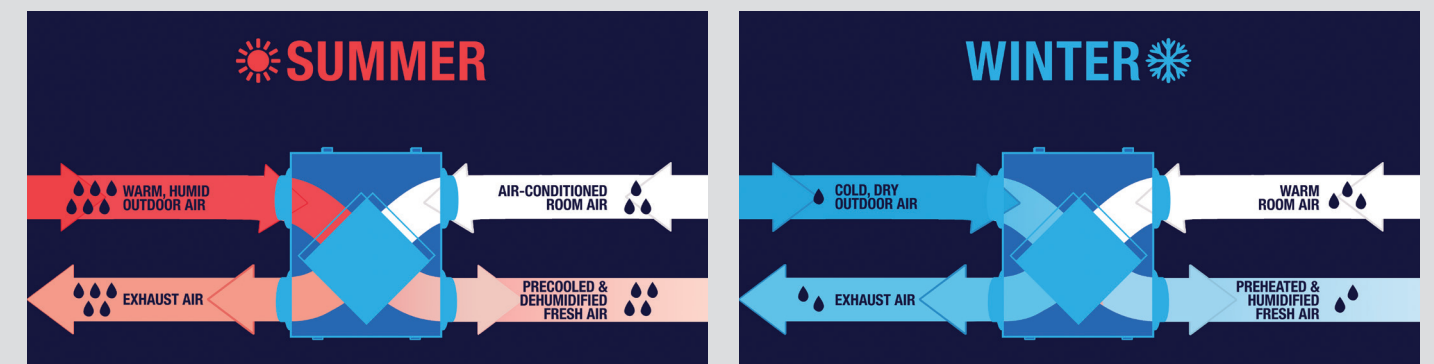
- Moderates heat and humidity via total energy recovery to maintain a comfortable indoor environment
- No need for frost protection or condensate pans
- Laminar airflow ensures that particulates do not accumulate in the core

REDUCED COSTS

- Optimized energy efficiency via core energy transfer decreases ventilation energy requirements, which can result in smaller air conditioning and heating needs

RENEWAIRE ERVs TEMPER THE AIR

Our ERVs moderate the extremes of outdoor supply-air temperature and humidity year-round, providing a sustainable ventilation solution for every climate.



IN SUMMER, THE WARM, HUMID OUTSIDE AIR IS PRECOOLED AND DEHUMIDIFIED BY THE OUTGOING COOL INTERIOR AIR

IN WINTER, THE COLD, DRY OUTSIDE AIR IS PREHEATED AND HUMIDIFIED BY THE OUTGOING WARM INTERIOR AIR

1 "Indoor Air Pollution: Introduction for Health Professionals," U.S. Consumer Product Safety Commission, <https://www.cpsc.gov/safety-education/safety-guides/home/indoor-air-pollution-introduction-health-professionals>.

2 "Why Indoor Air Quality is Important to Schools," U.S. Environmental Protection Agency (EPA), <https://www.epa.gov/iaq-schools/why-indoor-air-quality-important-schools>.

APPLICATIONS





The EV Premium Series ERVs are indoor units for single-family, multi-family and light-commercial applications. With two units available, a wide airflow range and boost mode, these ERVs are the perfect choice for a variety of applications.



SMALL



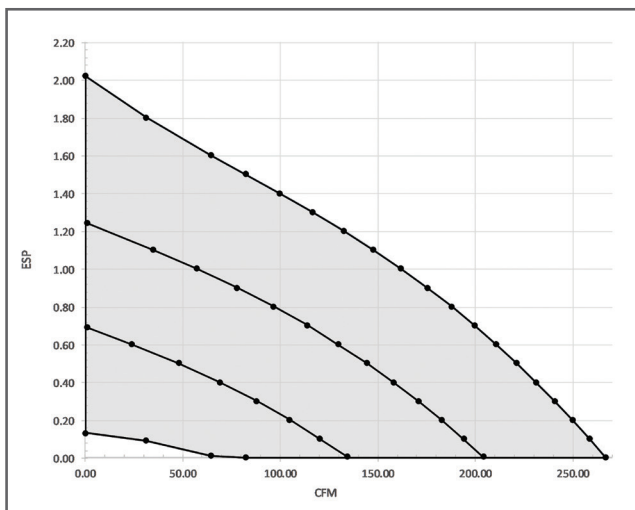
LARGE

POWER SUPPLY	Line cord	Line cord
AIRFLOW RANGE	50–210 CFM	50–240 CFM
BOOST MODE COMPATIBLE	Yes*	Yes*
LENGTH	22"	22"
WIDTH	18"	18"
HEIGHT	12"	24"
ESTIMATED WEIGHT	36 lbs.	52 lbs.
MOUNT	Ceiling Bracket/Wall Bracket	Ceiling Bracket/Wall Bracket
EC MOTOR	Yes	Yes
FILTER	MERV 8, MERV 13 (supply outside air only for MERV 13)	MERV 8, MERV 13 (supply outside air only for MERV 13)
CORE WARRANTY	10-year	10-year
UNIT WARRANTY	5-year	5-year
FAN EFFICIENCY	2.25 CFM/watt at 108 CFM (0.2" esp)	2.00 CFM/watt at 210 CFM (0.2" esp)
CERTIFICATIONS**	 	 

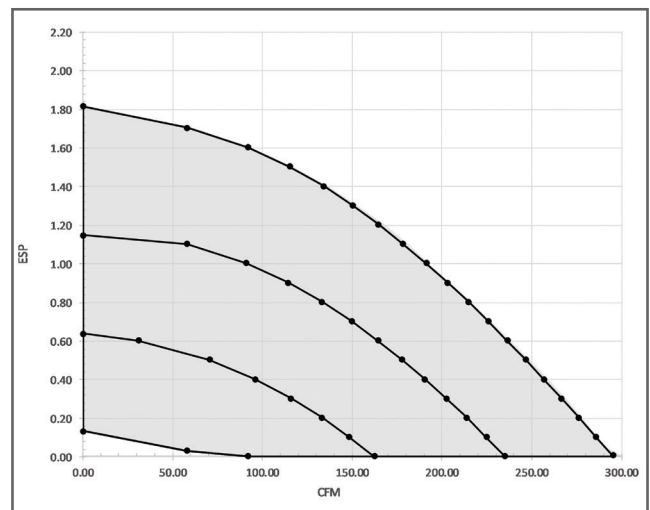
*Boost mode: Maxed airflow achievable in boost mode when continuous airflow set point is below max rating.

**HVI and ETL testing underway.

SMALL



LARGE



ACCESSORIES

FILTERS



**MERV 13 Filters
OA Airstream**

MOUNTS



Wall-Bracket Kit

LOUVERED WALL VENT



6" White or Brown

CONTROLS



Percentage Timer (PTL)



**Percentage Timer with
Furnace Interlock (FM)**



**Push-Button,
Point-Of-Use Timer (PBL)**



IAQ Sensor Wall Mount



CO2 Sensor Wall Mount



Occupancy Sensor Wall Mount



**Occupancy Sensor
Ceiling Mount**



Digital Time Clock Wall Mount



**Digital Time Clock
Exterior Enclosure**

DAMPERS



**Automatic Balancing Valve
4", 5", 6"**



Backdraft Damper

HEATERS



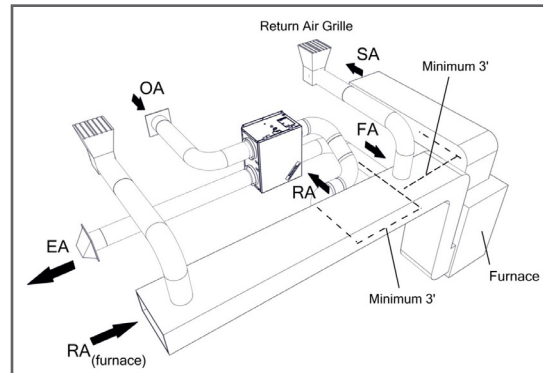
**RH Series Electric Duct Heater
1 kW, 2 kW, 3 kW, 4 kW**

INSTALLATION & MAINTENANCE

INSTALLATION

Installation of the EV Premium Series ERVs is simple and straightforward. Similar to the EV130, the EV Premium Series can be mounted in any orientation. Further, the RA/EA airstream can be switched with OA/FA the airstream.

The furnace blower must be operated any time the ERV is operated. Use furnace fan "on" continuous low speed or optional FM control to cycle furnace fan on ERV.



EV Premium Installation

MAINTENANCE

Disposable filters should be checked and replaced as needed. Additionally, once a year, vacuum the four core faces using a soft brush. The RenewAire core does not need to be washed, as particulates do not accumulate in the core.



RENEWAIRE EVERYWHERE

RenewAire ERVs can be applied everywhere across all residential and commercial buildings, and everything in between. Our technology excels in every geographic region, every climate and every size project.