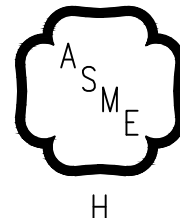


INSTALLATION, OPERATING AND SERVICE INSTRUCTIONS FOR

V8H™ SERIES OIL - FIRED BOILER



For service or repairs to boiler, call your heating contractor or oil supplier. When seeking information on boiler, provide Boiler Model Number and Serial Number as shown on Rating Label.

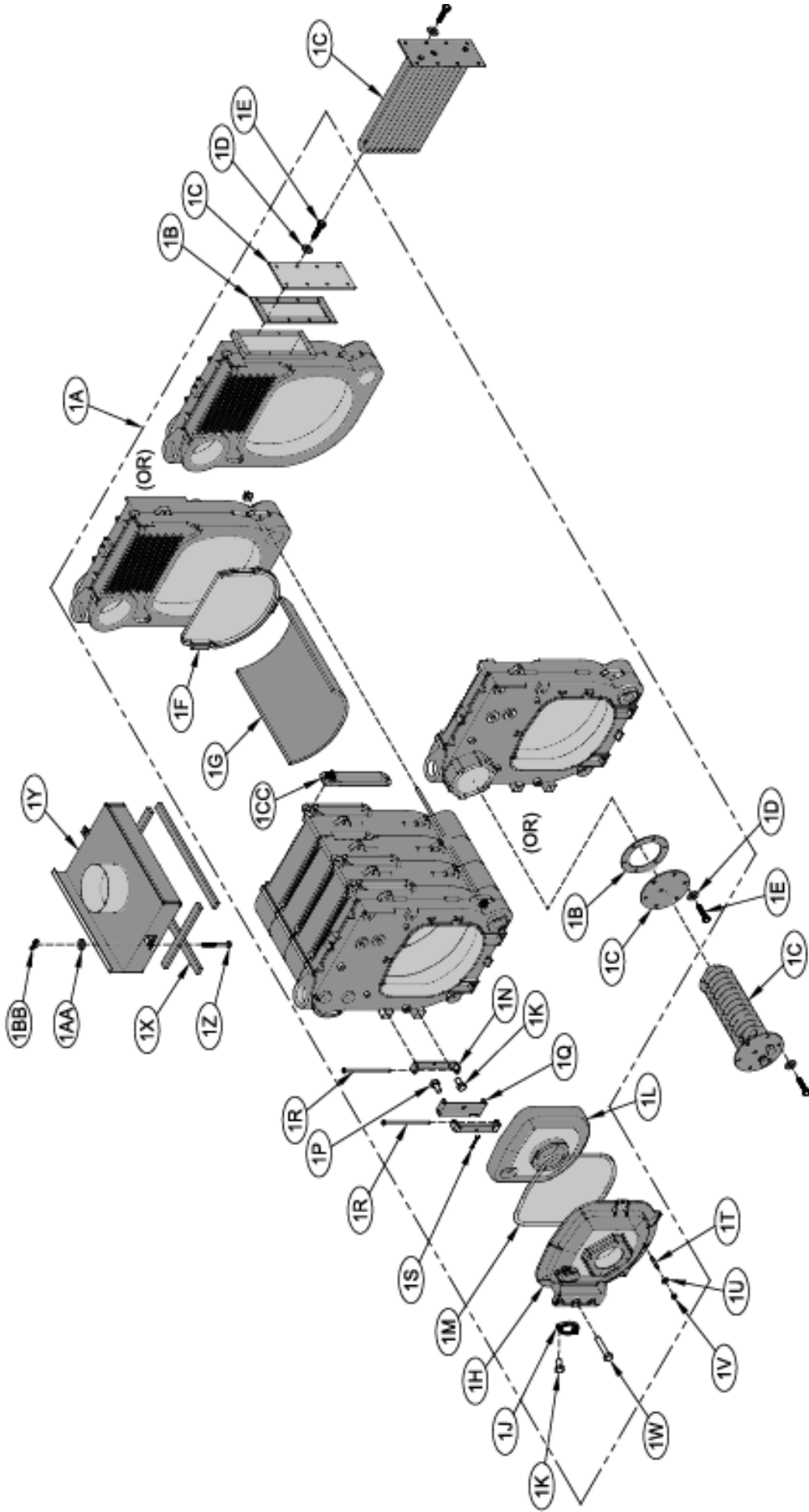
Boiler Part Number V8H	Boiler Serial Number	Installation Date
Heating Contractor		Phone Number
Address		



SECTION XVI: REPAIR PARTS

All V8H™ Series Boiler Repair Parts may be obtained through your local U.S. Boiler Company Wholesale distributor. Should you require assistance in locating a U.S. Boiler Company Distributor in your area, or have questions regarding the availability of U.S. Boiler Company products or repair parts, please contact U.S. Boiler Company Customer Service at (717) 481-8400 or Fax (717) 481-8408.

SECTION XVI: REPAIR PARTS (continued)

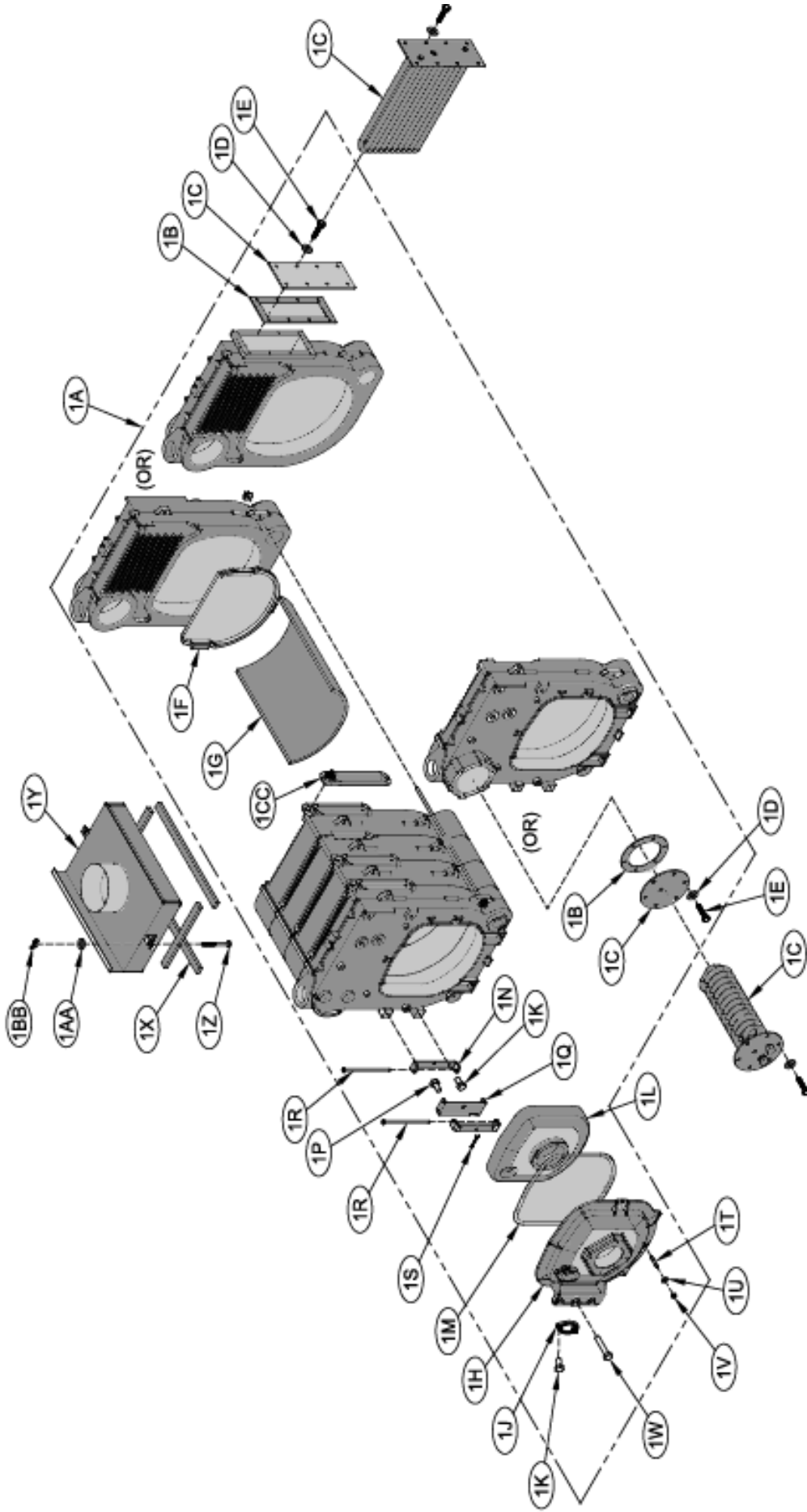


Bare Boiler Assembly

SECTION XVI: REPAIR PARTS (continued)

Item No.	Description	Part No.	V8H3	V8H4	V8H5	V8H6	V8H7	V8H8	V8H9
1. BARE BOILER ASSEMBLY									
	Cast Iron Block Assembly: Includes Block Assembly, Burner Swing Door Assembly, Flue Cover Plate, Taget Wall Insulation, Combustion Chamber Blanket (Where Applicable), and Heater Cover Plate/Gasket (Where applicable)								
1A	Water- Non Heater WN	101362-03	1						
		101362-04		1					
		101362-05			1				
		101362-06				1			
		101362-07					1		
		101362-08						1	
	Water Front Heater WF with Threaded Heater Coil Plate	101362-09							1
		101349-03	1						
		101349-04		1					
		101349-05			1				
		101349-06				1			
		610280711					1		
	Water Front Heater WF with Heater Coil	101349-08						1	
		610280911							1
		101364-03	1						
		101364-04		1					
		101364-05			1				
		101364-06				1			
	Water Rear Heater UR with Blank Heater Coil Plate	101364-07					1		
		101364-08						1	
		101364-09							1
		101360-03	1						
		101360-04		1					
		101360-05			1				
	Water Non Heater UR with Heater Coil	101360-06				1			
		610280721					1		
		101360-08						1	
		610280921							1
		101363-03	1						
		101363-04		1					
	Steam Non Heater UN	101363-05			1				
		101363-06				1			
		610280761					1		
		101363-08						1	
		610280961							1
		Steam Rear Heater UR with Blank Heater Coil Plate	610280331	1					
	610280431			1					
	610280531				1				
	610280631					1			
	610280731						1		
	610280831							1	
	Steam Rear Heater UR with Heater Coil (see next page)	610280931							1
610280351		1							
610280451			1						
610280551				1					
610280651					1				
610280751						1			
	610280851						1		
	610280951							1	

SECTION XVI: REPAIR PARTS (continued)

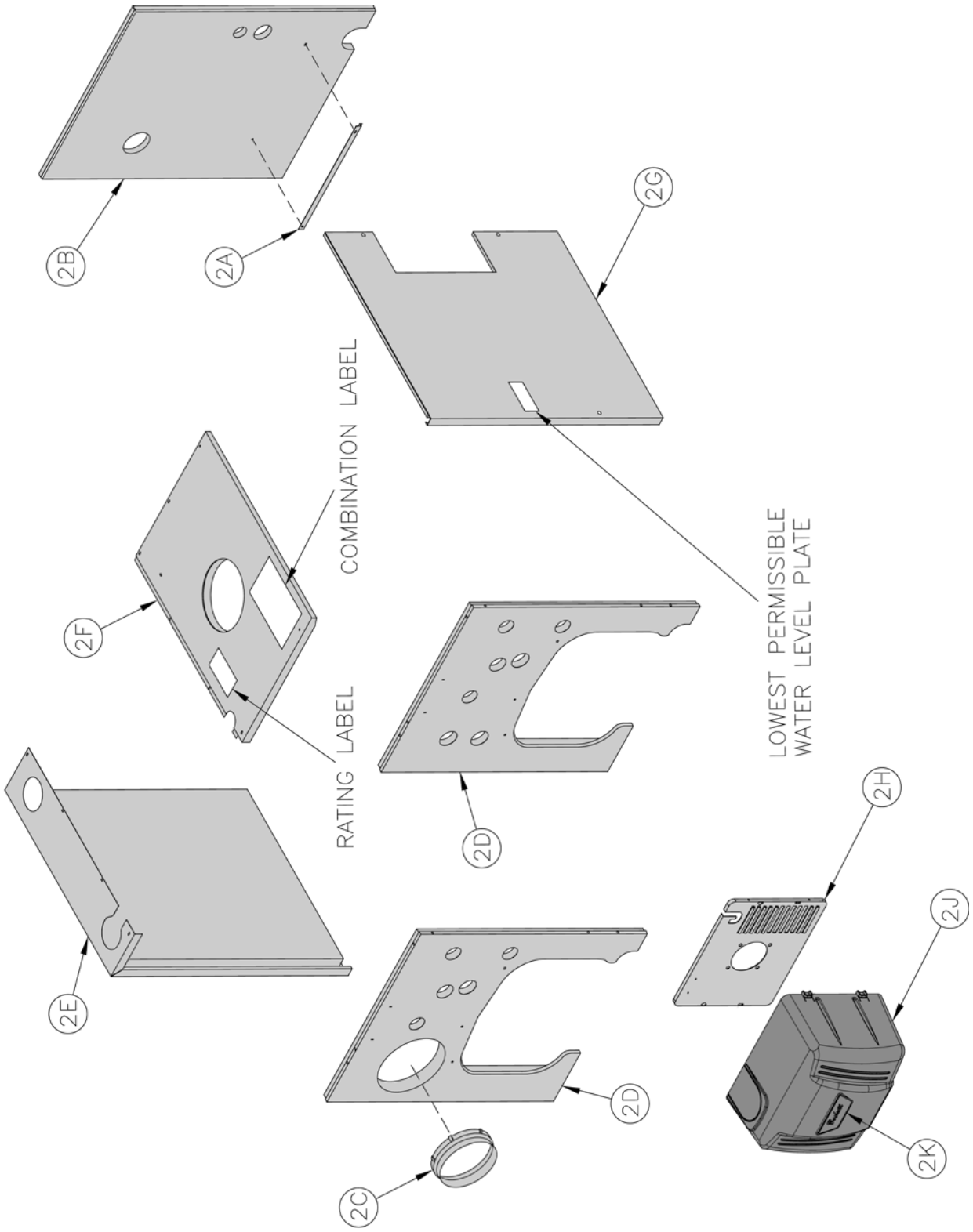


Bare Boiler Assembly (Continued)

SECTION XVI: REPAIR PARTS (continued)

Item No.	Description	Part No.	V8H3	V8H4	V8H5	V8H6	V8H7	V8H8	V8H9
1. BARE BOILER ASSEMBLY (Continued)									
1A	Steam Rear Heater UR with Heater Coil	610280351	1	---	---	---	---	---	---
		610280451	---	1	---	---	---	---	---
		610280551	---	---	1	---	---	---	---
		610280651	---	---	---	1	---	---	---
		610280751	---	---	---	---	1	---	---
		610280851	---	---	---	---	---	1	---
		610280951	---	---	---	---	---	---	1
1B	Heater Cover Plate Gasket - Front Heater	8036068	1	1	1	1	1	1	1
	Heater Cover Plate Gasket - Rear Heater	8036058	1	1	1	1	1	1	1
1C	Blank Heater Cover Plate (WN) - Front Heater	7036002	1	1	1	1	1	1	1
	Tapped Heater Cover Plate (WF[L]) - Front Heater	7036001	1	1	1	1	1	1	1
	Blank Heater Cover Plate (UR & WR) - Rear Heater	7036020	1	1	1	1	1	1	1
	Tapped Heater Cover Plate (WR[L]) - Rear Heater	7036021	1	1	1	1	1	1	1
	222B Heater Carton Assy. - (WF[T]) - Front Heater	104939-01	1	1	1	1	1	1	1
	V1-2 Heater Carton Assy. - (UR[T] & WR[T])	6036031	1	1	1	1	1	1	1
	1D	5/16" Flat Washer	Front Heater	80860611	6	6	6	6	6
Rear Heater				8	8	8	8	8	8
1E	3/8" -16 x 7/8" Lg. Plated Cap Screw, ASME Grade SA307B	Front Heater	80861337	6	6	6	6	6	6
		Rear Heater		8	8	8	8	8	8
1F	Rear Target Wall Insulation	8202701	1	1	1	1	1	1	1
1G	Combustion Chamber Blanket, 1/2" x 18-3/4" x 8-3/8" (Steam Only)	82028035	1	---	---	---	---	---	---
	Combustion Chamber Blanket, 1/2" x 18-3/4" x 13-3/8" (Steam Only)	82028045	---	1	---	---	---	---	---
	Combustion Chamber Blanket, 1/2" x 18-3/4" x 18-3/8" (Steam Only)	82028055	---	---	1	---	---	---	---
	Combustion Chamber Blanket, 1/2" x 18-3/4" x 23-3/8" (Steam Only)	82028065	---	---	---	1	---	---	---
	Combustion Chamber Blanket, 1/2" x 18-3/4" x 28-3/8"	82028075	---	---	---	---	1	---	---
	Combustion Chamber Blanket, 1/2" x 18-3/4" x 33-3/8" (Steam Only)	82028085	---	---	---	---	---	1	---
	Combustion Chamber Blanket, 1/2" x 18-3/4" x 38-3/8"	82028095	---	---	---	---	---	---	1
1H	Burner Swing Door, Painted Black (Door only)	71728005	1	1	1	1	1	1	1
1J	Observation Port Cover, Painted Black	71728004	1	1	1	1	1	1	1
1K	3/4" Lg. Plated Cap Screw	80861340	3	3	3	3	3	3	3
1L	Burner Swing Door Insulation	82028004	1	1	1	1	1	1	1
1M	Rope Gasket - Burner Swing Door	82028005	1	1	1	1	1	1	1
1N	Hinge Bracket	7022802	2	2	2	2	2	2	2
1P	5/16" -18 x 5/8" Lg. Plated Cap Screw	80861377	2	2	2	2	2	2	2
1Q	Intermediate Hinge, Painted Black	7022801	1	1	1	1	1	1	1
1R	Hinge Pin	80861707	2	2	2	2	2	2	2
1S	.042" Dia. x 15/16" Lg. Hairpin Cotter	80861667	2	2	2	2	2	2	2
1T	5/16" -18 x 2" Lg. Stud, Threaded Both Ends	80861606	1	1	1	1	1	1	1
1U	5/16" Flat Washer, Plated	80860611	1	1	1	1	1	1	1
1V	5/16" -18 Flange Nut, Plated	80860443	1	1	1	1	1	1	1
1W	5/16" -18 x 3-1/2" Lg. Hex Flange Bolt, Plated	80860895	1	1	1	1	1	1	1
1X	Canopy Sealing Strip, 1/2" x 1-1/4" x 10', Poly Bag	6206001	1	1	1	1	1	1	1
1Y	V8H3 Canopy Assembly	611280321	1	---	---	---	---	---	---
	V8H4 Canopy Assembly	611280421	---	1	---	---	---	---	---
	V8H5 Canopy Assembly	611280521	---	---	1	---	---	---	---
	V8H6 Canopy Assembly	611280621	---	---	---	1	---	---	---
	V8H7 Canopy Assembly	611280721	---	---	---	---	1	---	---
	V8H8 Canopy Assembly	611280821	---	---	---	---	---	1	---
	V8H9 Canopy Assembly	611280921	---	---	---	---	---	---	1
1Z	1/4" -20 x 3" Lg. Carriage Bolt, Plated	80860119	2	2	2	2	2	2	2
1AA	1/4" Flat Washer, Plated	80860603	2	2	2	2	2	2	2
1BB	1/4" -20 Wing Nut, Plated	80860910	2	2	2	2	2	2	2
1CC	Flue Cover Plate, Gasket & Hardware Assembly	61128002	2	3	4	5	6	7	8

SECTION XVI: REPAIR PARTS (continued)

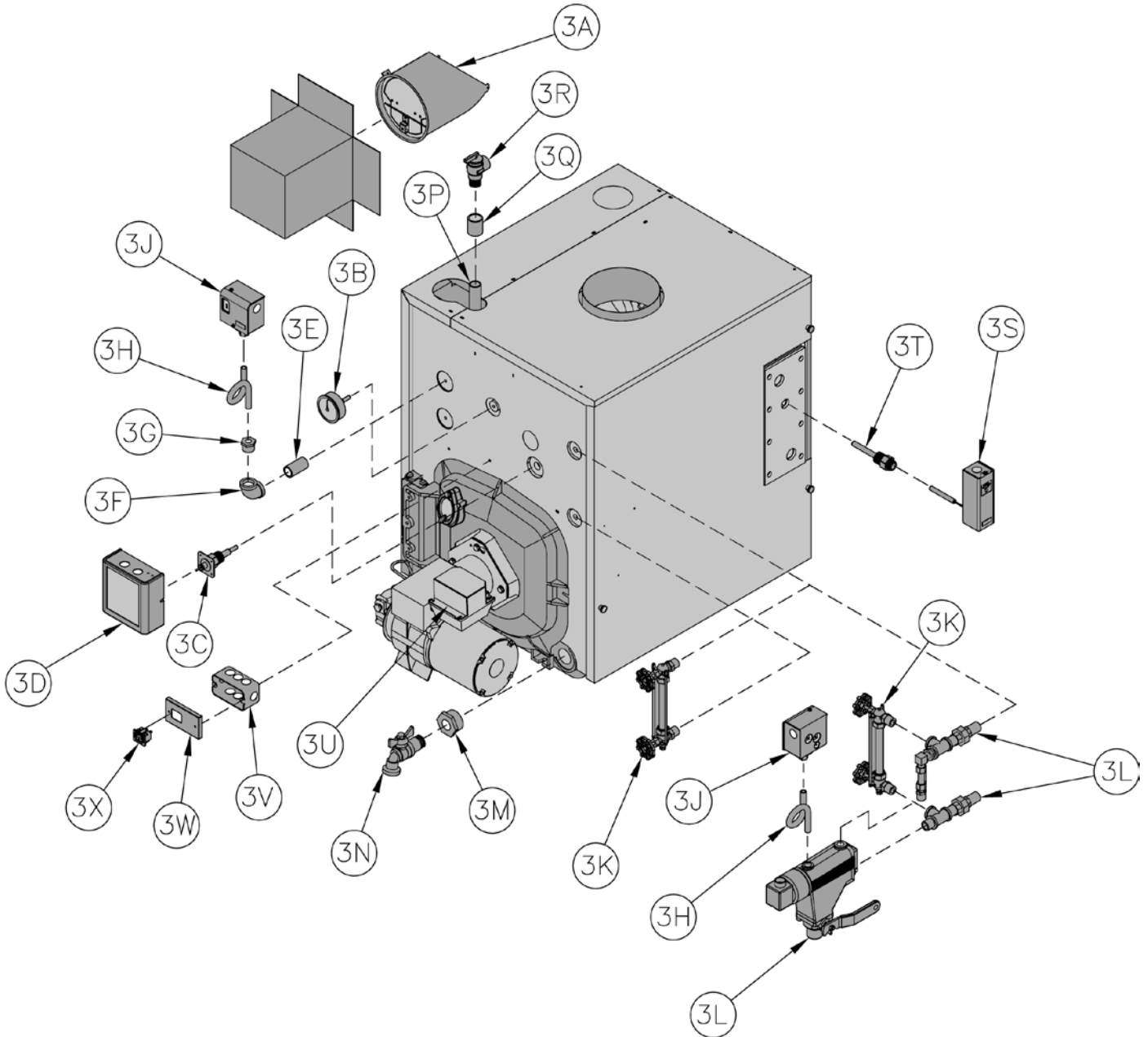


Jacket Assembly

SECTION XVI: REPAIR PARTS (continued)

Item No.	Description	Part No.	V8H3	V8H4	V8H5	V8H6	V8H7	V8H8	V8H9
2. JACKET ASSEMBLY - Insulated Jacket Panel(s)									
2A	Jacket Rear Support Bracket	7042801	1	1	1	1	1	1	1
2B	Jacket Rear Panel Assembly	60428005	1	1	1	1	1	1	1
2C	Plastic Collar Extension - Jkt. Frt. Panel w/Htr. Opg.	8032704	1	1	1	1	1	1	1
2D	Jacket Front Panel Ass'y w/o Htr. Opg. (Wtr. Blr.)	60428001	1	1	1	1	1	1	1
	Jacket Front Panel Ass'y w/o Htr. Opg. (Stm. Blr.)	60428002							
	Jacket Front Panel Ass'y w/ Htr. Opg. (Wtr. Blr.)	60428003							
	Jacket Front Panel Ass'y w/ Htr. Opg. (Stm. Blr.)	60428004							
2E	Jacket Left Side / Top Panel Assembly	102952-02	---	---	---	---	---	---	---
		102952-03	1	---	---	---	---	---	---
		102952-04	---	1	---	---	---	---	---
		102952-05	---	---	1	---	---	---	---
		102952-06	---	---	---	1	---	---	---
		102952-07	---	---	---	---	1	---	---
		102952-08	---	---	---	---	---	1	---
2F	Jacket Top Panel Assembly	604280221	---	---	---	---	---	---	---
		604280321	1	---	---	---	---	---	
		604280421	---	1	---	---	---	---	---
		604280521	---	---	1	---	---	---	---
		604280621	---	---	---	1	---	---	---
		604280721	---	---	---	---	1	---	---
		604280821	---	---	---	---	---	1	---
2G	Jacket Right Side Access Panel Assembly without Heater Opening	604280231	---	---	---	---	---	---	---
		604280331	1	---	---	---	---	---	
		604280431	---	1	---	---	---	---	---
		604280531	---	---	1	---	---	---	---
		604280631	---	---	---	1	---	---	---
		604280731	---	---	---	---	1	---	---
		604280831	---	---	---	---	---	1	---
	604280931	---	---	---	---	---	---	1	
	Jacket Right Side Access Panel Assembly with Heater Opening	604280341	1	---	---	---	---	---	---
		604280441	---	1	---	---	---	---	---
		604280541	---	---	1	---	---	---	---
		604280641	---	---	---	1	---	---	---
		604280741	---	---	---	---	1	---	---
		604280841	---	---	---	---	---	1	---
604280941		---	---	---	---	---	---	1	
2H	Beckett Burner Plastic Enclosure Backer Plate	102233-01	1	1	1	1	1	1	
2J	Beckett Burner Plastic Enclosure Cover	102232-01	1	1	1	1	1	1	
2K	Beckett Burner Plastic Enclosure Name Plate	102231-01	1	1	1	1	1	1	

SECTION XVI: REPAIR PARTS (continued)

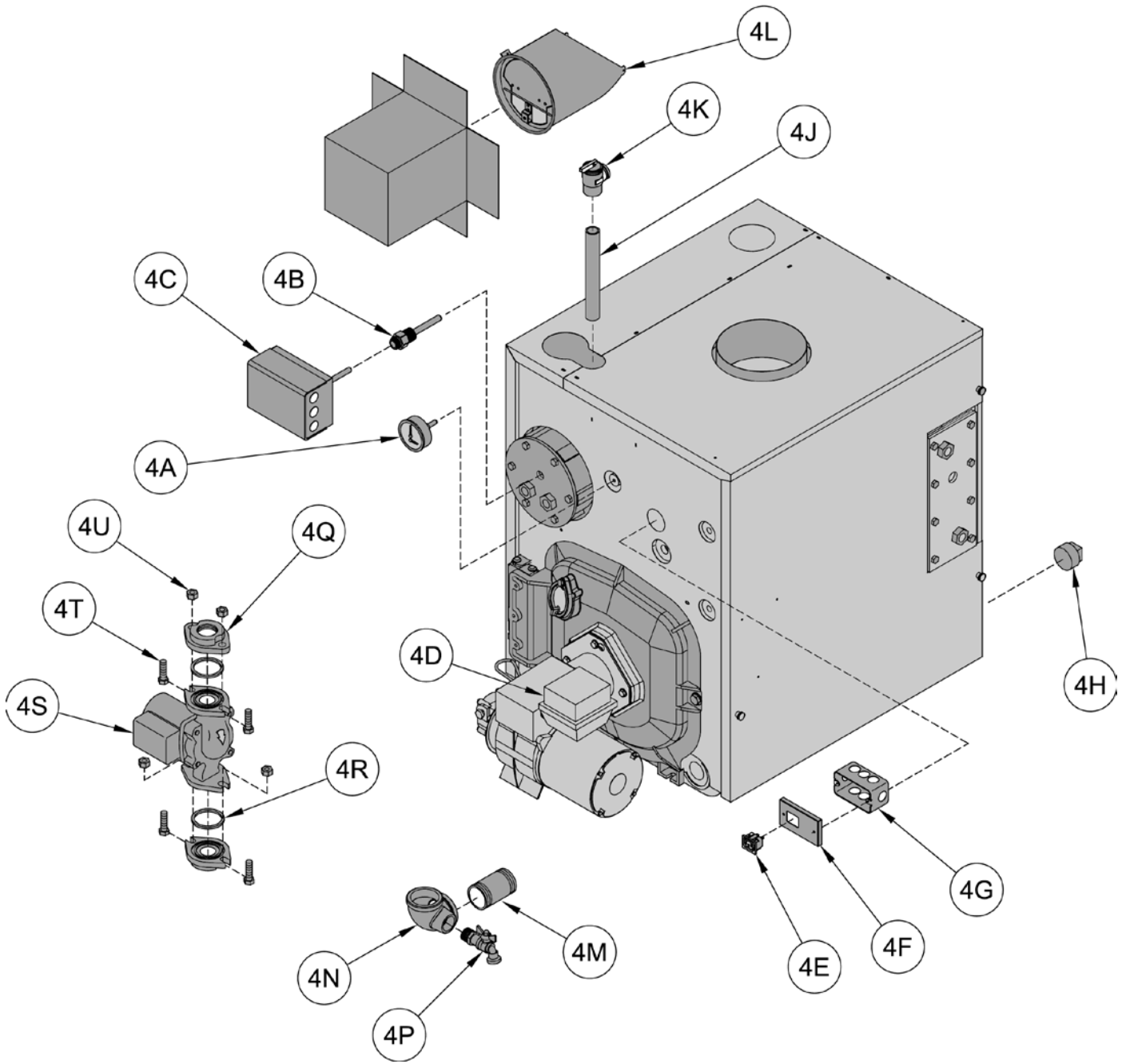


V8H3 Thru V8H9 Steam Boilers - Trim and Controls

SECTION XVI: REPAIR PARTS (continued)

Item No.	Description	Part No.	V8H3	V8H4	V8H5	V8H6	V8H7	V8H8	V8H9
3. V8H3 Thru V8H9 STEAM BOILERS - TRIM AND CONTROLS									
3A	6" Draft Regulator	8116288	1	1	1	1	---	---	---
	7" Draft Regulator	8116289	---	---	---	---	1	1	1
3B	Pressure Gauge	100325-01	1	1	1	1	1	1	1
3C	Probe, Hydrolevel EL-1214 (for Hydrolevel CG450)	80160629	1	1	1	1	1	1	1
3D	Low Water Cut-off, Hydrolevel CG450 (less probe)	80160623	1	1	1	1	1	1	1
	Low Water Cut-off, McDonnell & Miller PSE-801 (w/ probe)	104207-01							
3E	Nipple, 3/4" NPT x 3" Lg.	806600002	1	1	1	1	1	1	1
3F	Elbow, 3/4" NPT, Malleable	806601502	1	1	1	1	1	1	1
3G	Bushing, 3/4" NPT x 1/4" FPT, Brass	806604655	1	1	1	1	1	1	1
3H	Syphon, 1/4" NPT x 4" x 180°, Brass	106333-01	1	1	1	1	1	1	1
3J	Pressure Limit, Honeywell L404F1367	80160369	1	1	1	1	1	1	1
3K	Gauge Glass Set, 6", ConBraCo 20-104-10	8056091	1	1	1	1	1	1	1
3L	Low Water Cut-off, McDonnell & Miller 67-BC-8	80160597	1	1	1	1	1	1	1
3M	Bushing, 1 1/2" NPT x 3/4" FPT, Malleable	806600507	1	1	1	1	1	1	1
3N	Drain Valve, 3/4" NPT, ConBraCo 35-302-03	806603061	1	1	1	1	1	1	1
3P	Nipple, 3/4" NPT x 8" Lg.	806600221	1	1	1	1	1	1	1
3Q	Coupling, 3/4" NPT, Malleable	806602561	1	1	1	1	1	1	1
3R	Safety Valve, 3/4" FIP, 15 psi, ConBraCo 13-511-B15	81660530	1	1	1	1	1	1	1
3S	Limit, Honeywell L4006A2015	80160400	1	1	1	1	1	1	1
3T	Well, 3/4" NPT x 3", Honeywell 123871A	80160452	1	1	1	1	1	1	1
3U	Oil Primary Control Beckett GeniSys 7505P1515	103445-01	1	1	1	1	1	1	1
	Oil Primary Control, Honeywell R7284P1080 (Universal)	103880-01	1	1	1	1	1	1	1
3V	2" x 4" Junction Box, Painted Sherpa Blue	61328252	1	1	1	1	1	1	1
3W	Burner Disc. J-Box Cover, Painted Sherpa Blue	51328251	1	1	1	1	1	1	1
3X	Power Outlet Receptacle, Heyco IEC 320-C13	8136522	1	1	1	1	1	1	1

SECTION XVI: REPAIR PARTS (continued)

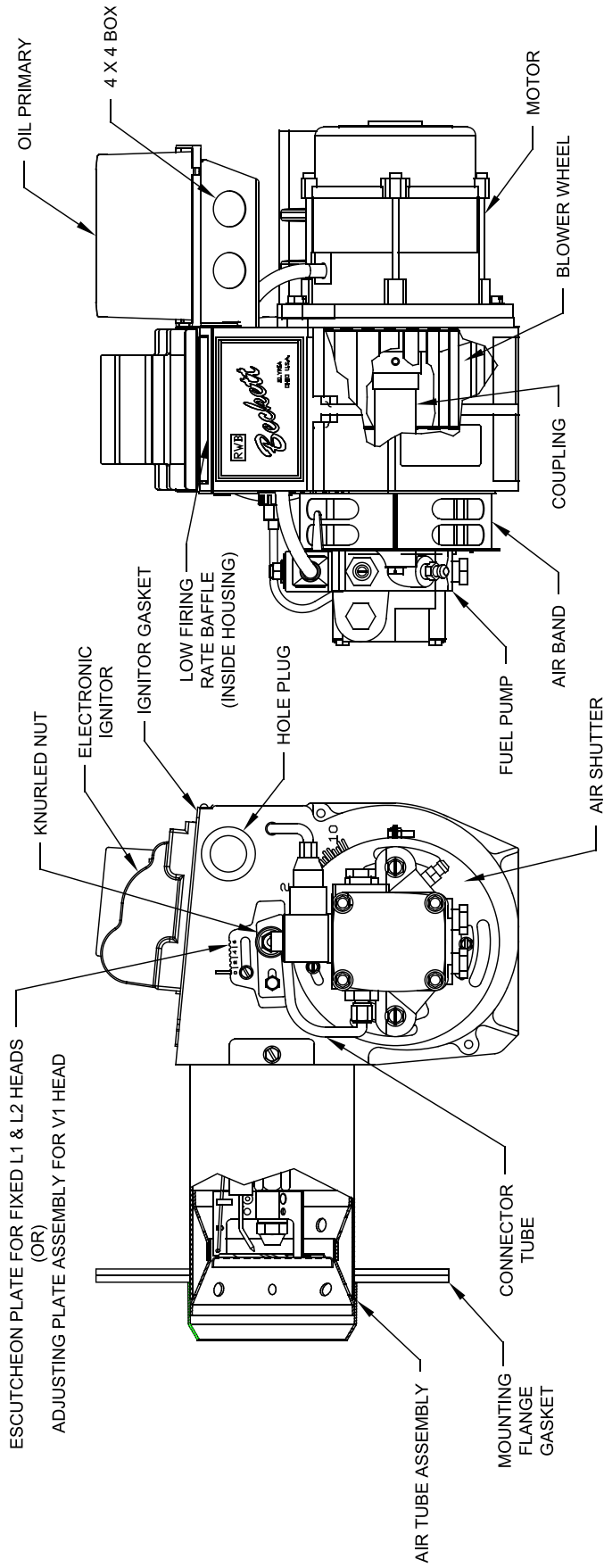


V8H3 Thru V8H9 Water Boilers - Trim and Controls

SECTION XVI: REPAIR PARTS (continued)

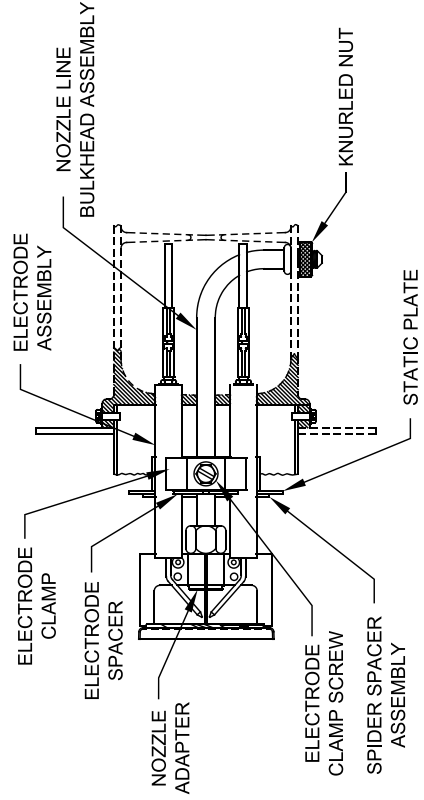
Item No.	Description	Part No.	V8H3	V8H4	V8H5	V8H6	V8H7	V8H8	V8H9
4. V8H3 Thru V8H9 WATER BOILERS - TRIM AND CONTROLS									
4A	Temperature & Pressure Gauge, ¼" NPT x 2½" Dia., 1½" Lg. Shank	100282-01	1	1	1	1	1	1	1
4B	Honeywell #123870A Immersion Well, ¼" NPT x 1½" Insulation (WN)	80160426	1	1	1	1	1	1	1
	--(OR)-- Honeywell #123872A Immersion Well, ½" NPT x 3" Insulation (WF)	80160497	1	1	1	1	1	1	1
	--(OR)-- Honeywell 123871A Immersion Well, ¾" NPT x 3" Insulation (UR & WR)	80160452	1	1	1	1	1	1	1
4C	Honeywell L7248L1080 Hi Limit, Circ. Relay (WN)	103852-01	1	1	1	1	1	1	1
	--(OR)-- Honeywell L7224C1010 Hi & Lo Limit, Circ. Relay (WF and WR)	103854-01	1	1	1	1	1	1	1
4D	Oil Primary Control Beckett GeniSys 7505P1515	103445-01	1	1	1	1	1	1	1
	Oil Primary Control, Honeywell R7284P1080 (Universal)	103880-01	1	1	1	1	1	1	1
4E	Power Outlet Receptacle, Heyco IEC 320-C13	8136522	1	1	1	1	1	1	1
4F	Burner Disc., J-Box Cover, Painted Sherpa Blue	61328251	1	1	1	1	1	1	1
4G	2" x 4" Junction Box, Painted Sherpa Blue	61328252	1	1	1	1	1	1	1
4H	Plug, Square Head, 1½" NPT (Packaged)	806603515	1	1	1	1	1	1	1
	Reducing Bushing, 1½" NPT x ¾" FPT (Knockdown)	806600507							
4J	Nipple, ¾" NPT x 8" Lg.	806600221	1	1	1	1	1	1	1
4K	Relief Valve, Conbraco, ¾" FIP x ¾" FIP	#10-408-05 30 PSI	81660319						
		#10-303-07 40 PSI	81660370	1	1	1	1	1	1
		#10-303-10 50 PSI	81660302						
4L	6" Draft Regulator	8116288	1	1	1	1	---	---	---
	7" Draft Regulator	8116289	---	---	---	---	1	1	1
4M	Nipple, 1½" NPT x 3" Lg.	806600006	1	1	1	1	1	1	1
4N	Side Outlet 90° Elbow 1½" x ¾"	806601636	1	1	1	1	1	1	1
4P	Drain Valve, ¾" NPT, ConBraCo 35-302-03	806603061	1	1	1	1	1	1	1
4Q	Circulator Flange, 1½" NPT	806602014	2	2	2	2	2	2	2
4R	Circulator Gasket	Taco #194-1548	806602006						
		Bell & Gossett	Included w/ circulator	2	2	2	2	2	2
		Grundfos							
4S	Circulator	Taco 007	8056007						
		Bell & Gossett NRF22 w/gaskets	8056174	1	1	1	1	1	1
		Grundfos UP15-42F w/gaskets	8056173						
4T	Cap Screw, Hex Head, 7/16" -14 x 1½" Lg.	80861301	4	4	4	4	4	4	
4U	Hex Nut, 7/16" -14	80860406	4	4	4	4	4	4	

SECTION XVI: REPAIR PARTS (continued)



SIDE VIEW

FRONT VIEW



NOZZLE DETAIL

Beckett AFG Burner

SECTION XVI: REPAIR PARTS (continued)

BECKETT AFG OIL BURNER PART NOS. FOR V8H SERIES BOILERS

NOTE: When ordering parts always give the serial and model numbers shown on the boiler and burner. Also provide the name of the part(s) and part number as listed below.

Boiler Model	V8H3W/S	V8H4W/S	V8H5W/S
Air Tube Combination	AFG70MMAQN	AFG70MDAQN	AFG70MDASN
Beckett's Spec. No.	BCB8603	BCB8604	BCB8605
Air Band	3492A	3492A	3492A
Air Band Nut	4150	4150	4150
Air Band Screw	4198	4198	4198
Air Shutter	3709	3709	3709
Air Shutter Screw	4198	4198	4198
Blower Wheel	2999	2999	2999
Coupling	2454	2454	2454
Low Firing Rate Baffle	3708	Less	Less
Bulkhead Knurled Locknut	3666	3666	3666
Connector Tube Assembly	5636	5636	5636
Electrode Clamp	149	149	149
Electrode Clamp Screw	4219	4219	4219
Electrode Insulator Assembly	5780	5780	5780
Support / Spacer Assembly	5992	5992	5992
Escutcheon Plate	3493	---	---
Adjusting Plate Assembly	---	5941	5941
Head	5912	5913	5913
Head Screws	4221	4221	4221
Flange Gasket	3811	3811	3811
AFG Housing	5874GY	5874GY	5874GY
Motor	21805E/218	21805E/218	21805E/218
Nozzle Adapter	213	213	213
Nozzle Line Electrode Assembly	NL70MD	NL70MD	NL70MD
Oil Pump, Clean Cut Single Stage	21844	21844	21844
Oil Pump, Clean Cut Two-Stage	21941	21941	21941
Static Plate	3384	3383	3383
Ignitor	51771U	51771U	51771U
Ignitor Hinge Screw	4217	4217	42176
Ignitor Holding Screw	4292	4292	4292
Ignitor Gasket Kit	51304	51304	51304
Wire Guard	10251	10251	10251
Junction Box	3741	3741	3741
Flame Detector	7006Q	7006Q	7006Q

(Continued on Next Page)

SECTION XVI: REPAIR PARTS (continued)

BECKETT AFG OIL BURNER PART NOS. FOR V8H SERIES BOILERS (continued)

NOTE: When ordering parts always give the serial and model numbers shown on the boiler and burner. Also provide the name of the part(s) and part number as listed below.

Boiler Model	V8H6W/S	V8H7W/S	V8H8W/S	V8H9W/S
Air Tube Combination	AFG70MDASN	AFG70MDASN	AFG70MDASN	AFG70MDASN
Beckett's Spec. No.	BCB8606	BCB8607	BCB8608	BCB8609
Air Band	3492A	3492A	3492A	3492A
Air Band Nut	4150	4150	4150	4150
Air Band Screw	4198	4198	4198	4198
Air Shutter	3709	3709	3709	3709
Air Shutter Screw	4198	4198	4198	4198
Blower Wheel	2999	2999	2999	2999
Coupling	2454	2454	2454	2454
Low Firing Rate Baffle	Less	Less	Less	Less
Bulkhead Knurled Locknut	3666	3666	3666	3666
Connector Tube Assembly	5636	5636	5636	5636
Electrode Clamp	149	149	149	149
Electrode Clamp Screw	4219	4219	4219	4219
Electrode Insulator Assembly	5780	5780	5780	5780
Support / Spacer Assembly	5992	5992	5992	5992
Escutcheon Plate	---	---	---	---
Adjusting Plate Assembly	5941	5941	5941	5941
Head	5913	5913	5913	5913
Head Screws	4221	4221	4221	4221
Flange Gasket	3811	3811	3811	3811
AFG Housing	5874GY	5874GY	5874GY	5874GY
Motor	21805E/218	21805E/218	21805E/218	21805E/218
Nozzle Adapter	213	213	213	213
Nozzle Line Electrode Assembly	NL70MD	NL70MD	NL70MD	NL70MD
Oil Pump, Clean Cut, Single Stage	21844	21844	21844	21844
Oil Pump, Clean Cut, Two-Stage	21941	21941	21941	21941
Static Plate	3383	3383	3383	3383
Ignitor	51771U	51771U	51771U	51771U
Ignitor Hinge Screw	4217	4217	4217	4217
Ignitor Holding Screw	4292	4292	4292	4292
Ignitor Gasket Kit	51304	51304	51304	51304
Wire Guard	10251	10251	10251	10251
Junction Box	3741	3741	3741	3741
Flame Detector	7006Q	7006Q	7006Q	7006Q

SECTION XVI: REPAIR PARTS (continued)

CARLIN EZ and 102CRD OIL BURNER PART NUMBERS FOR V8H SERIES BOILERS

NOTE: When ordering parts always give the serial and model numbers shown on the boiler and burner.

Refer to *Installation and Operating Instructions for Packaged Heating/Burner Units, Carlin Elite EZ-1HP and EZ-2HP Oil Burners* (Form CCT-569A) for an exploded view of the burner and a list of spare parts.

Refer to *Installation and Operation Instructions For Carlin Model 102 CRD Oil Burner* (Form No. 96858) for an exploded view of the burner and a list of spare parts.

For replacement Carlin oil burner parts, contact your wholesaler or the burner manufacturer:

CCT, Carlin Combustion Technology, Inc.
70 Maple Street
East Longmeadow, MA 01028
Telephone: (413) 525-7700
Facsimile: (413) 525-8306

RIELLO 40 OIL BURNER PART NUMBERS FOR V8H SERIES BOILERS

NOTE: When ordering parts always give the serial and model numbers shown on the boiler and burner.

Refer to Models F3 & F5 Installation Manual, Riello 40 Series Residential Oil Burners (C6501010) or Model F10 Installation Manual, Riello 40 Series Residential Oil Burners (2902554) for an exploded view of the burner and a list of spare parts.

For replacement Riello oil burner parts, contact your wholesaler or the burner manufacturer:

Riello Corporation of America
35 Pond Park Road
Hingham, Massachusetts 02043
Telephone: (617) 749-8292
Facsimile: (617) 740-2069
Toll Free: (outside Massachusetts)
(800) 992-7637

Riello Canada Inc.
2165 Meadowpine Blvd.
Mississauga, Ontario L5N 6H6
Telephone: (905) 542-0303
Facsimile: (905) 542-1525
Toll Free: (800) 387-3898

SECTION XVII: BURNER SPECIFICATIONS

TABLE 12: BURNER SPECIFICATIONS

Boiler Model	Firing Rate GPH	Beckett AFG				Carlin				Riello						
		Settings		1 Nozzle GPH x Angle Type	2 Pump Pressure	Burner Model	Settings		1 Nozzle GPH x Angle Type	2 Pump Pressure	Burner Model	Settings		1 Nozzle GPH x Angle Type	Pump Pressure	
Head (Setting)	Air Shutter	Air Band	Head Bar				Air Band	Air Gate				Turbulator				
V8H3S *	0.75	L1	10	2	0.60 x 60A	140		0.60/0.65	0.53	0.60 x 60B	150	40-F5	2.25	1.0	0.70 x 90B	145
V8H3W	1.05	L1	7	1	0.85 x 60A	140		0.75	0.65	0.85 x 70B Hago	150	40-F5	2.8	1.0	0.90 x 80B	145
V8H4S	1.05	V1 (0)	7	1	0.85 x 60A	140		0.85/1.00	0.75	0.85 x 60B	150	40-F5	3.75	1.0	0.90 x 80B	145
V8H4W	1.35	V1 (0)	10	2	1.10 x 60B Hago	140	EZ-1HP	1.10/1.25	0.85	1.10 x 60B	150	40-F5	3.3	3.0	1.20 x 80B	145
V8H5S	1.35	V1 (0)	10	5	1.10 x 60B	140		1.10/1.25	0.80	1.10 x 60B	150	40-F5	5.5	2.0	1.20 x 80B	145
V8H5W	1.65	V1 (2)	10	5	1.35 x 60B	140		1.35/1.50	1.35	1.35 x 60B	150	40-F5	5.2	4.0	1.35 x 70B	145
V8H6S	1.65	V1 (2)	10	3	1.35 x 60B	140	EZ-2HP	1.50	1.75	1.35 x 60A	170	40-F10	3.2	3.0	1.50 x 45B	145
V8H6W	1.90	V1 (3)	10	3.5	1.50 x 45B	160	EZ-66	5	100%	1.65 x 60B	140	40-F10	3.7	2.0	1.65 x 60B	145
V8H7S V8H7W	2.10	V1 (4)	10	3	1.65 x 45B HAGO	170		3	50%	1.75 x 60B	140	40-F10	4.0	4.0	2.00 x 45B	145
V8H8S V8H8W	2.35	V1 (4)	10	5	1.75 x 45B HAGO	170	102CRD-3	4	50%	2.00 x 60B	140	40-F10	4.0	5.0	2.00 x 60B	175
V8H9S V8H9W	2.60	V1 (6)	10	7	2.00 x 45B	170		5	100%	2.25 x 70B	140	40-F10	7.0	5.0	2.25 x 60P HAGO	145

¹ All burners utilize Delavan nozzles unless otherwise noted.

² Single stage fuel pump is standard, two stage fuel pump is optional. Burner manufacturer has preset single stage fuel pump to settings shown in table above.

Two stage fuel pump is factory set at 140 PSI and must be readjusted to settings shown above during burner start-up.

* V8H3S use Low Fire Baffle