

| | | |
|-----------------------|------------------------|-----------------|
| PROJECT: _____ | UNIT TAG: _____ | QUANTITY: _____ |
| REPRESENTATIVE: _____ | TYPE OF SERVICE: _____ | DATE: _____ |
| ENGINEER: _____ | SUBMITTED BY: _____ | DATE: _____ |
| CONTRACTOR: _____ | APPROVED BY: _____ | DATE: _____ |
| | ORDER NO.: _____ | DATE: _____ |

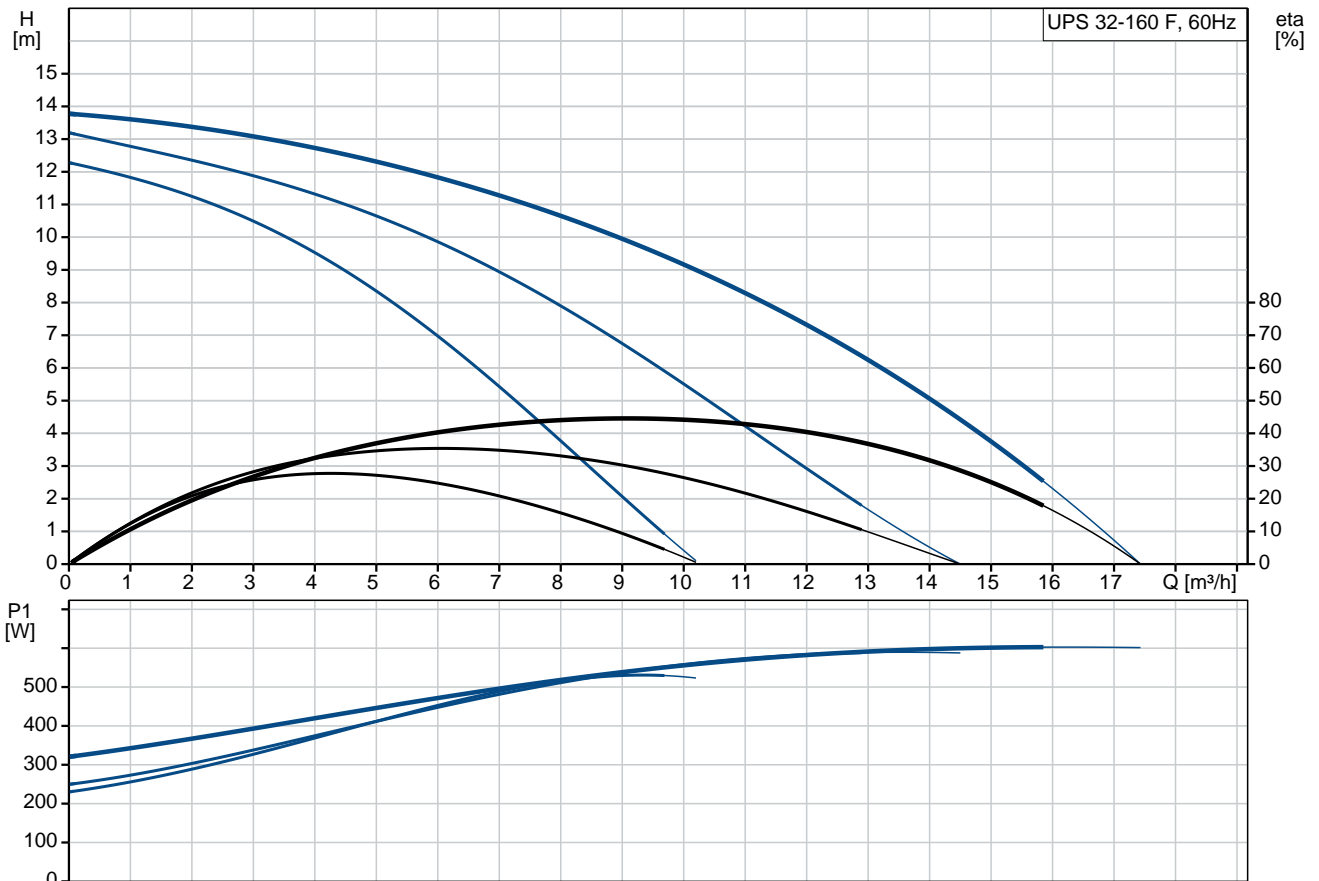


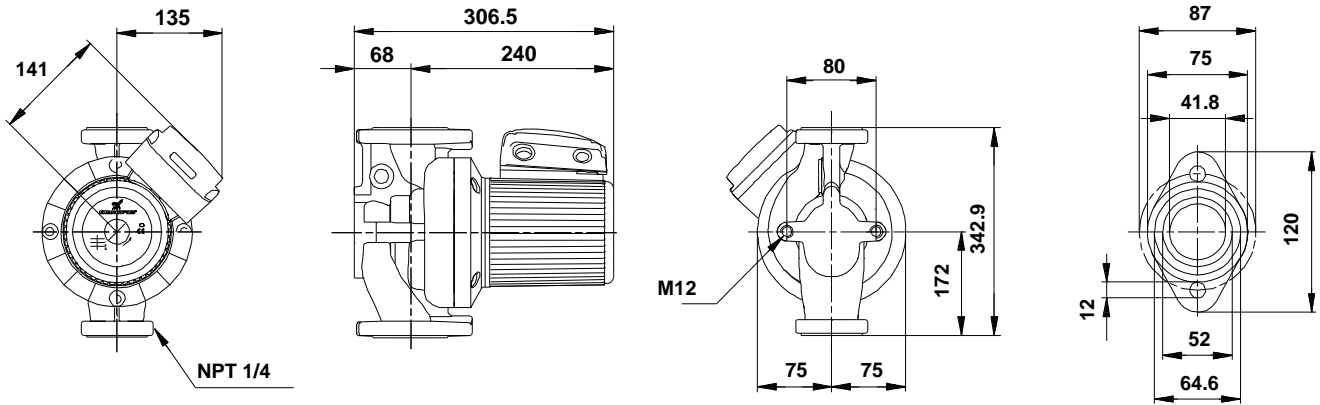
UPS 32-160 F

Circulator pumps

Note! Product picture may differ from actual product

| Conditions of Service | Pump Data | Motor Data |
|-------------------------|---|---------------------------|
| Flow: _____ | Maximum operating pressure: 10 bar | Max. power input: 625 W |
| Head: _____ | Liquid temperature range: -10 .. 120 °C | Rated voltage: 230 V |
| Efficiency: _____ | Maximum ambient temperature: 40 °C | Mains frequency: 60 Hz |
| Liquid: Water | Approvals: CUL | Enclosure class: X4D |
| Temperature: 60 °C | Type of connection: F | Insulation class: H |
| NPSH required: m | Flange standard: USA Oval | Motor protection: CONTACT |
| Viscosity: _____ | Pipe connection: GF 40/43 | Thermal protection: INT. |
| Specific Gravity: 0.985 | Product number: On request | |





Materials:

Pump housing: Cast iron
 EN-JL1040
 ASTM 35 B - 40 B
 Impeller: Stainless steel
 DIN W.-Nr. 1.4301
 AISI 304

Tender Text



Note! Product picture may differ from actual product

Product No.: On request

UPS 32-160 F

The pump is of the canned rotor type, i.e. pump and motor form an integral unit without shaft seal and with only two gaskets for sealing. The bearings are lubricated by the pumped liquid.

In order to avoid problems in connection with disposal, great importance has been attached to using as few different materials as possible.

The pump is characterized by:

- * 3 speed motor.
- * Ceramic radial bearings.
- * Carbon axial bearing.
- * Stainless steel rotor can, bearing plate

and rotor cladding.

- * Aluminium alloy stator housing.
- * Cast iron pump housing.
- * Stator with built-in thermal switch.

The motor is a 1-phase motor.

The pump is supplied with a standard module in the terminal box.

The standard module is to be connected to the mains supply via external contactor.

Controls:

Relay: Y

Liquid:

Pumped liquid: Water
Liquid temperature range: -10 .. 120 °C
Liquid temperature during operation: 60 °C
Density: 983.2 kg/m³

Technical:

Approvals on nameplate: CUL

Materials:

Pump housing: Cast iron
EN-JL1040
ASTM 35 B - 40 B
Impeller: Stainless steel
DIN W.-Nr. 1.4301

AISI 304

Installation:


Range of ambient temperature: 0 .. 40 °C
Maximum operating pressure: 10 bar
Flange standard: USA Oval
Type of connection: F
Pipe connection: GF 40/43
Pressure rating: 145 psi
Port-to-port length: 342 mm

Electrical data:

Power input in speed 1: 555 W
Power input in speed 2: 600 W
Max. power input: 625 W
Mains frequency: 60 Hz
Rated voltage: 1 x 230 V
Current in speed 1: 2.75 A
Current in speed 2: 2.9 A
Current in speed 3: 2.9 A
Cos phi in speed 1: 0,88
Cos phi in speed 2: 0,9
Cos phi: 0,94
Capacitor size - run: 16 µF/400 V
Enclosure class (IEC 34-5): X4D
Insulation class (IEC 85): H

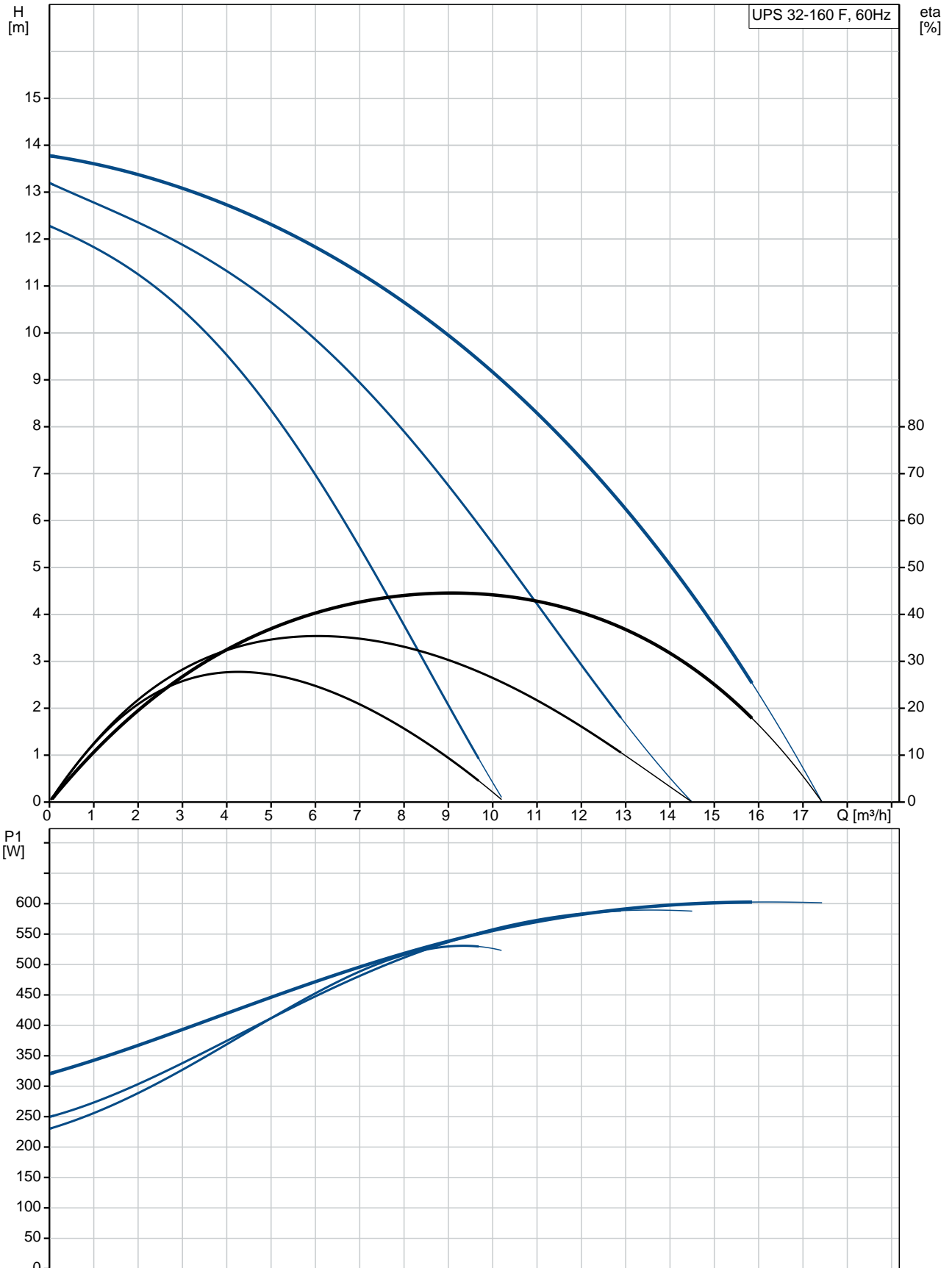
Others:

Net weight: 17.1 kg
Gross weight: 20.5 kg
Shipping volume: 0.059 m³

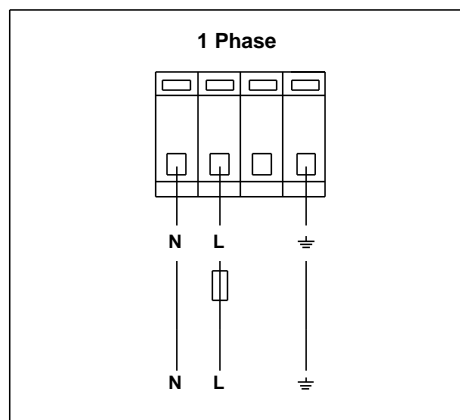
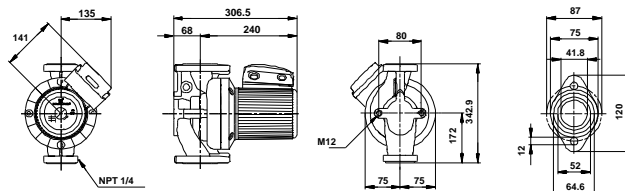
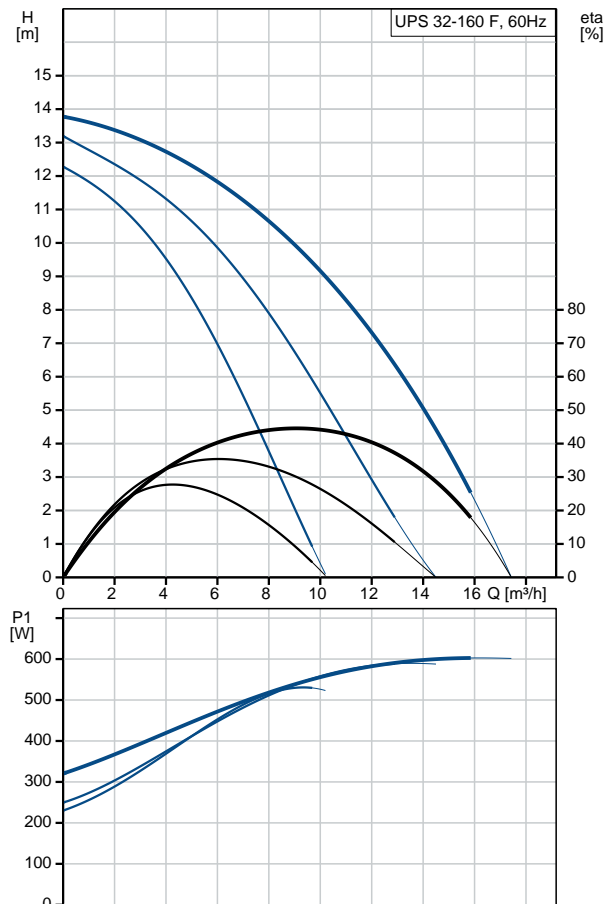
| Position | Qty. | Description |
|----------|------|--|
| | 1 | <p>UPS 32-160 F</p>  <p style="text-align: center;">Note! Product picture may differ from actual product</p> <p>Product No.: On request The pump is of the canned rotor type, i.e. pump and motor form an integral unit without shaft seal and with only two gaskets for sealing. The bearings are lubricated by the pumped liquid.</p> <p>In order to avoid problems in connection with disposal, great importance has been attached to using as few different materials as possible.</p> <p>The pump is characterized by:</p> <ul style="list-style-type: none"> * 3 speed motor. * Ceramic radial bearings. * Carbon axial bearing. * Stainless steel rotor can, bearing plate and rotor cladding. * Aluminium alloy stator housing. * Cast iron pump housing. * Stator with built-in thermal switch. <p>The motor is a 1-phase motor.</p> <p>The pump is supplied with a standard module in the terminal box. The standard module is to be connected to the mains supply via external contactor.</p> <p>Controls: Relay: Y</p> <p>Liquid: Pumped liquid: Water Liquid temperature range: -10 .. 120 °C Liquid temperature during operation: 60 °C Density: 983.2 kg/m³</p> <p>Technical: Approvals on nameplate: CUL</p> <p>Materials: Pump housing: Cast iron EN-JL1040 ASTM 35 B - 40 B Impeller: Stainless steel DIN W.-Nr. 1.4301 AISI 304</p> |

| Position | Qty. | Description |
|----------|------|---|
| | | <p>Installation:</p> <p>Range of ambient temperature: 0 .. 40 °C Maximum operating pressure: 10 bar Flange standard: USA Oval Type of connection: F Pipe connection: GF 40/43 Pressure rating: 145 psi Port-to-port length: 342 mm</p> <p>Electrical data:</p> <p>Power input in speed 1: 555 W Power input in speed 2: 600 W Max. power input: 625 W Mains frequency: 60 Hz Rated voltage: 1 x 230 V Current in speed 1: 2.75 A Current in speed 2: 2.9 A Current in speed 3: 2.9 A Cos phi in speed 1: 0,88 Cos phi in speed 2: 0,9 Cos phi: 0,94 Capacitor size - run: 16 µF/400 V Enclosure class (IEC 34-5): X4D Insulation class (IEC 85): H</p> <p>Others:</p> <p>Net weight: 17.1 kg Gross weight: 20.5 kg Shipping volume: 0.059 m³</p> |

On request UPS 32-160 F 60 Hz



| Description | Value |
|--------------------------------------|-------------------------|
| General information: | |
| Product name: | UPS 32-160 F |
| Product No: | On request |
| EAN number: | On request |
| Technical: | |
| Speed no: | 3 |
| Head max: | 160 dm |
| Approvals on nameplate: | CUL |
| Model: | C |
| Materials: | |
| Pump housing: | Cast iron |
| | EN-JL1040 |
| | ASTM 35 B - 40 B |
| Impeller: | Stainless steel |
| | DIN W.-Nr. 1.4301 |
| | AISI 304 |
| Installation: | |
| Range of ambient temperature: | 0 .. 40 °C |
| Maximum operating pressure: | 10 bar |
| Flange standard: | USA Oval |
| Type of connection: | F |
| Pipe connection: | GF 40/43 |
| Pressure rating: | 145 psi |
| Port-to-port length: | 342 mm |
| Liquid: | |
| Pumped liquid: | Water |
| Liquid temperature range: | -10 .. 120 °C |
| Liquid temperature during operation: | 60 °C |
| Density: | 983.2 kg/m ³ |
| Electrical data: | |
| Power input in speed 1: | 555 W |
| Power input in speed 2: | 600 W |
| Max. power input: | 625 W |
| Mains frequency: | 60 Hz |
| Rated voltage: | 1 x 230 V |
| Current in speed 1: | 2.75 A |
| Current in speed 2: | 2.9 A |
| Current in speed 3: | 2.9 A |
| Cos phi in speed 1: | 0,88 |
| Cos phi in speed 2: | 0,9 |
| Cos phi: | 0,94 |
| Capacitor size - run: | 16 µF/400 V |
| Enclosure class (IEC 34-5): | X4D |
| Insulation class (IEC 85): | H |
| Motor protec: | CONTACT |
| Thermal protec: | INT. |
| R a: | 8.3 - 10.8 ohm |
| R s1: | 2.2 - 2.9 ohm |
| R s2: | 5.05 - 6.65 ohm |
| Controls: | |
| Relay: | Y |
| Pos term box: | 1.30H |





Company name:

Created by:

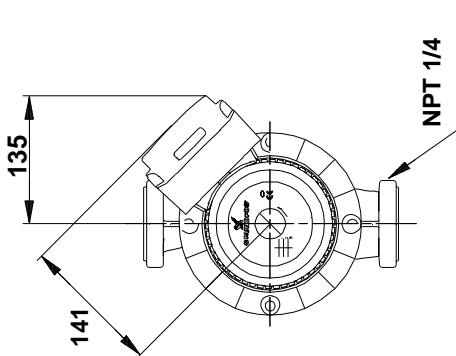
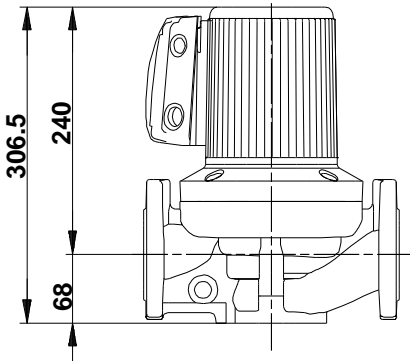
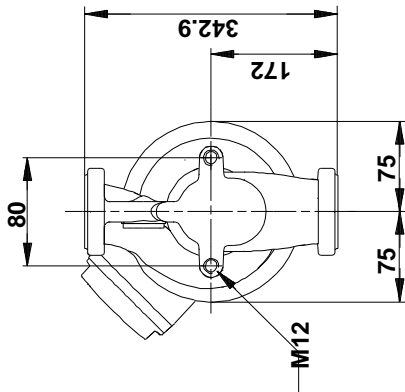
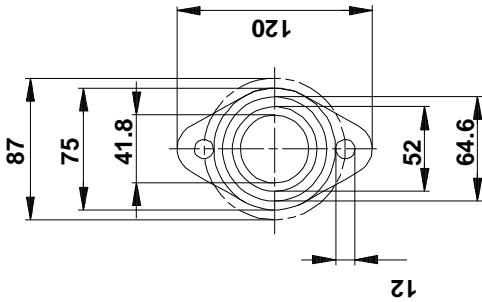
Phone:

Date:

28/11/2017

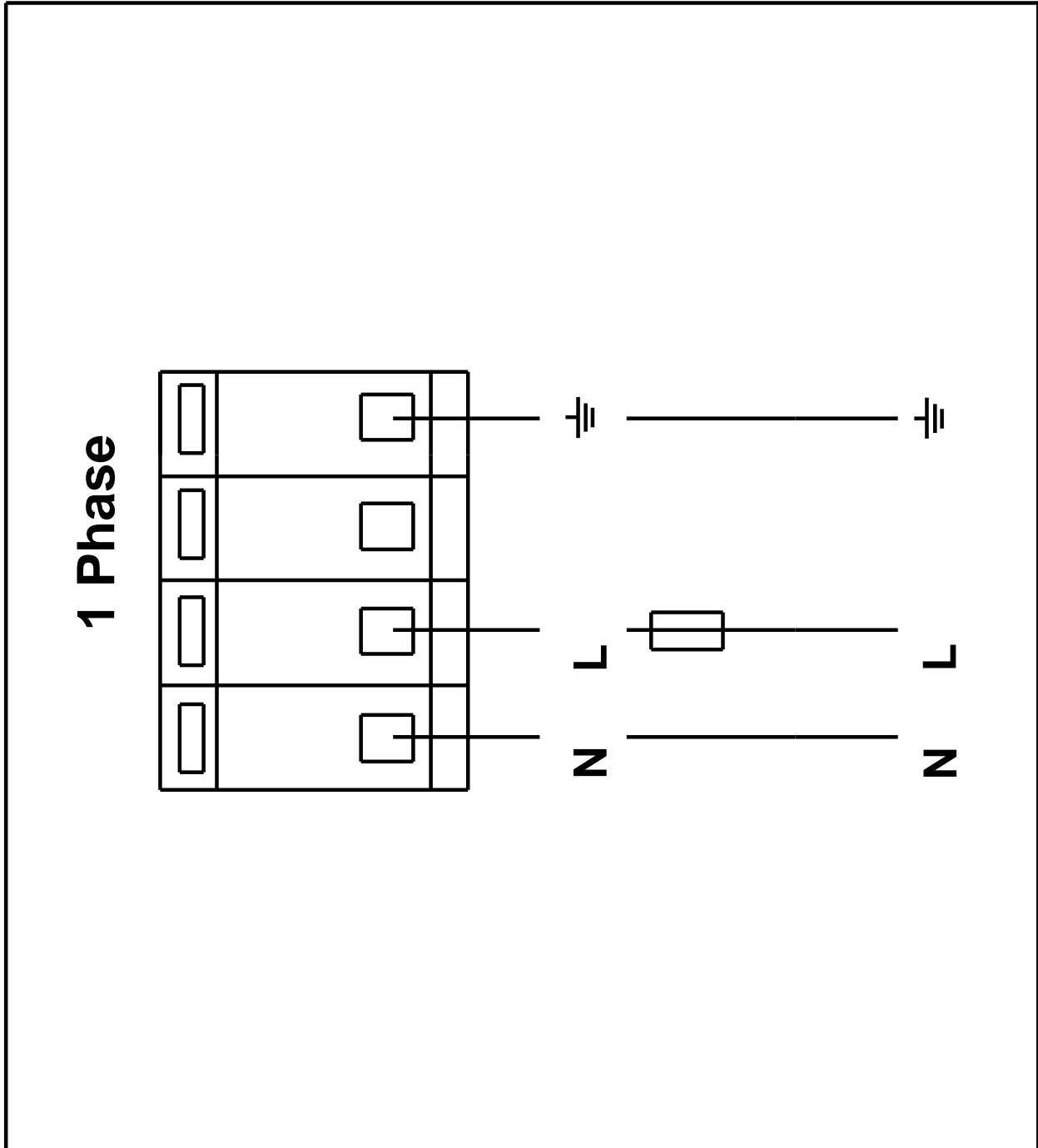
| Description | Value |
|------------------|----------------------|
| Others: | |
| Net weight: | 17.1 kg |
| Gross weight: | 20.5 kg |
| Shipping volume: | 0.059 m ³ |
| Sales region: | Namreg |

On request UPS 32-160 F 60 Hz



Note! All units are in [mm] unless others are stated.
Disclaimer: This simplified dimensional drawing does not show all details.

On request UPS 32-160 F 60 Hz



Note! All units are in [mm] unless others are stated.



Company name:

Created by:

Phone:

Date: 28/11/2017

Order Data:

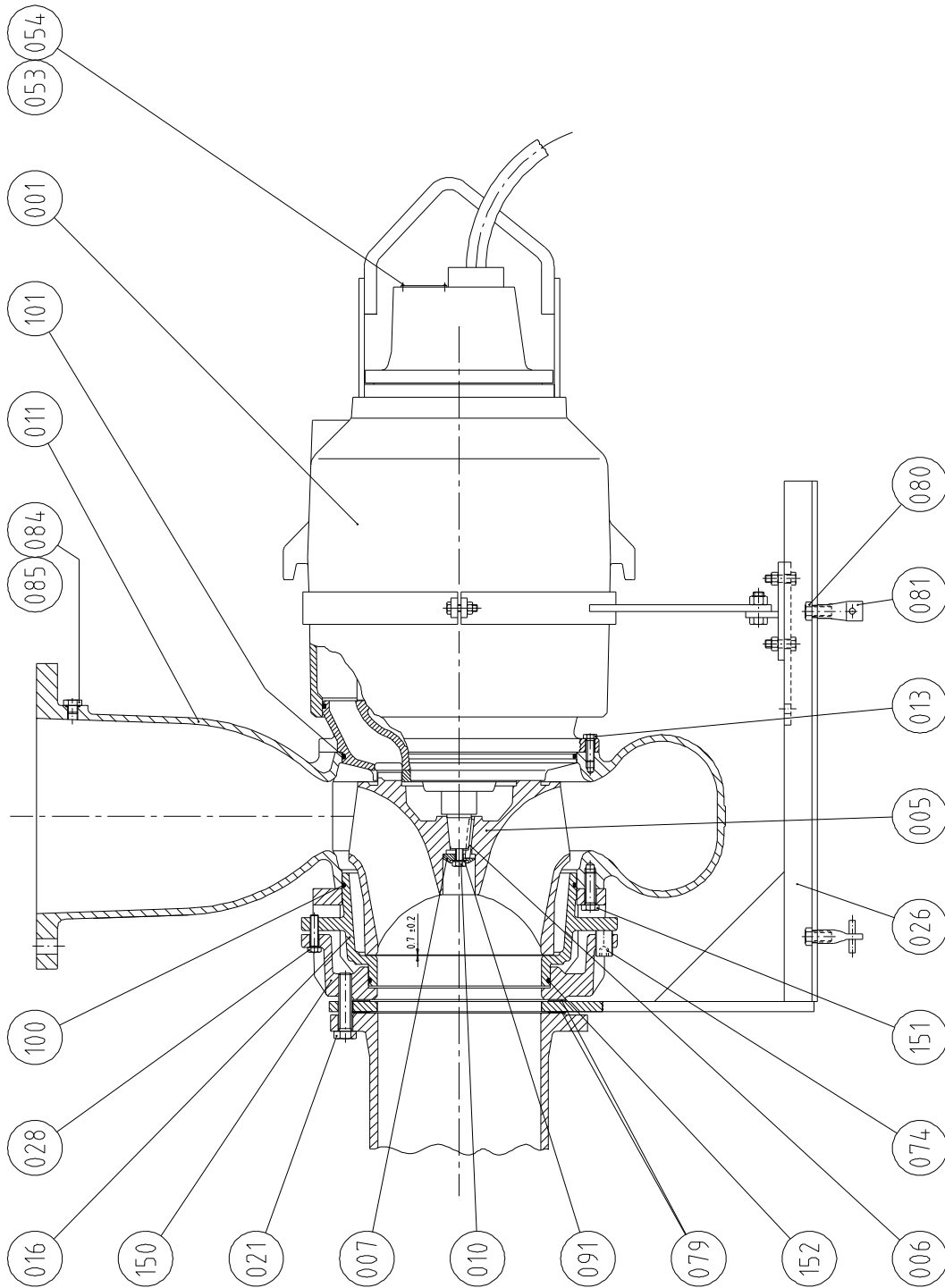
Product name: UPS 32-160 F

Amount: 1

Product No: On request

Total: Price on request

Sectional drawing (A_944781)



Sectional drawing (A_944775)

