



325 COMMERCE DRIVE  
 MT VERNON, OH 43050  
 800-253-8236

**SPECIFICATION  
 DATA SHEET**

DATE: 9-9-13  
 PREPARED BY: RL

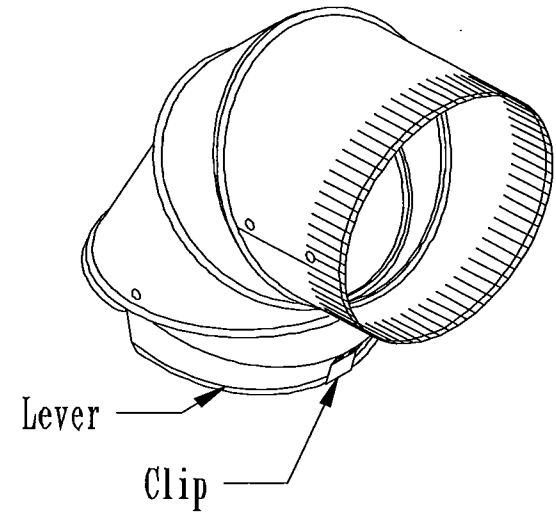
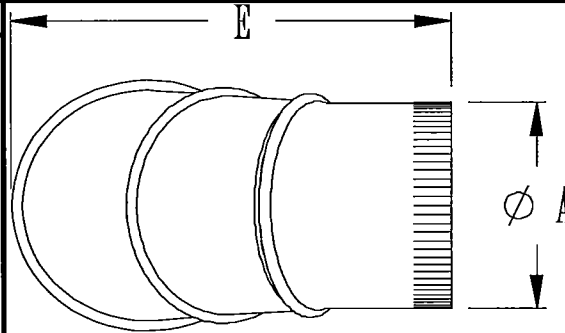
**MODEL NO. 292**

**HALF TAB TAKE-OFF**

STANDARD MODEL

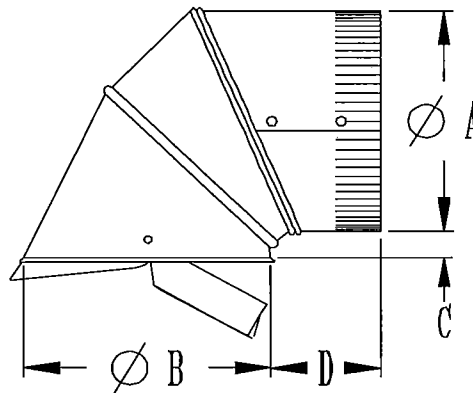
**DIMENSIONS**

SIZE	A	B	C	D	E
6"	6"	7"	1 3/4"	4"	11"



**MATERIAL SPECIFICATIONS**

HOT DIPPED GALVANIZED STEEL.  
 PER ASTM A 653 CSB.  
 ASSEMBLED WITH 1/8" ZINC COATED RIVETS.  
 BODY = STANDARD GAUGE  
 ANGLE = STANDARD GAUGE



**OPTIONS**

JOB: \_\_\_\_\_  
 LOCATION: \_\_\_\_\_  
 CONTRACTOR: \_\_\_\_\_  
 ENGINEER: \_\_\_\_\_  
 NOTES: \_\_\_\_\_