



325 COMMERCE DRIVE  
 MT VERNON, OH 43050  
 800-253-8236

## SPECIFICATION DATA SHEET

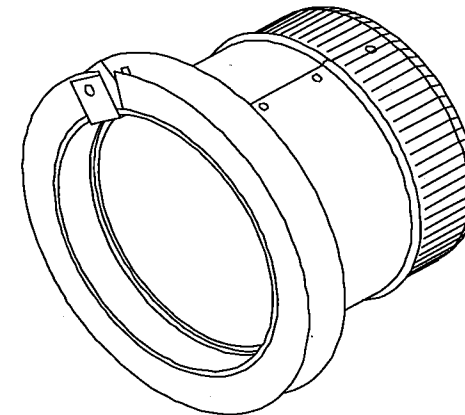
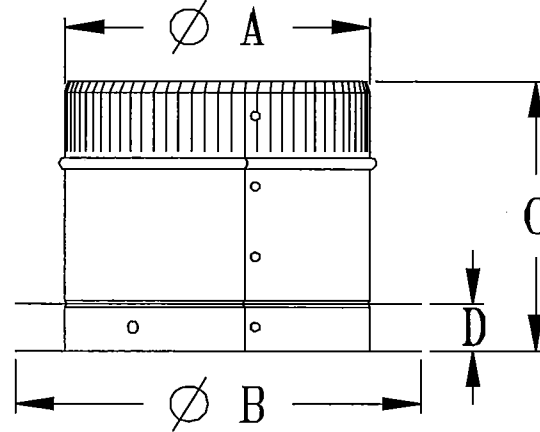
DATE: 3-11-15  
 PREPARED BY: RL

# MODEL NO. 225 DUCTBOARD TWIST-IN COLLAR

STANDARD MODEL

### DIMENSIONS

SIZE	DUCTBOARD SIZES AVAILABLE			
	A	B	C	D
4"	4"	6"	5 3/4"	1", 1 1/2", 2"
5"	5"	7"	5 3/4"	1", 1 1/2", 2"
6"	6"	8"	5 3/4"	1", 1 1/2", 2"
7"	7"	9"	5 3/4"	1", 1 1/2", 2"
8"	8"	10"	5 3/4"	1", 1 1/2", 2"
9"	9"	11"	6 3/4"	1", 1 1/2", 2"
10"	10"	12"	6 3/4"	1", 1 1/2", 2"
12"	12"	14"	6 3/4"	1", 1 1/2", 2"
14"	14"	16"	6 3/4"	1", 1 1/2", 2"
16"	16"	18"	6 3/4"	1", 1 1/2", 2"



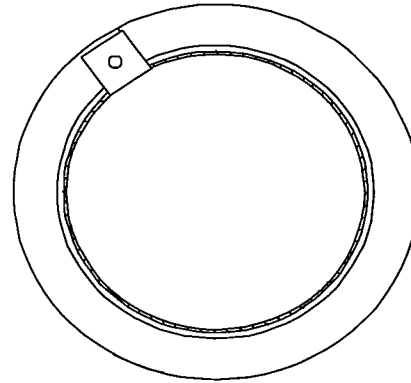
### MATERIAL SPECIFICATIONS

HOT DIPPED GALVANIZED STEEL.  
 PER ASTM A 653 CSB.

BODY : 4"-8" = STD GA  
 9" & UP = 28GA

RING: 4" - 6" = 28 GA  
 7" - 10" = 26 GA  
 10" & UP = 24 GA

ASSEMBLED WITH 1/8" ZINC COATED RIVETS.



### OPTIONS

JOB: \_\_\_\_\_  
 LOCATION: \_\_\_\_\_  
 CONTRACTOR: \_\_\_\_\_  
 ENGINEER: \_\_\_\_\_  
 NOTES: \_\_\_\_\_