

MODEL NUMBER SIGNIFICANCE CHART

1	2	3	4	5	6	7	8	9	10	11	12	13	14
0	6	D	A	3	1	6	0	0	A	3	2	0	0

NOTES:

- SPECIAL ORDER SERVICE COMPRESSORS FOR BRYANT MAY BE PROCESSED AS "9" NAMEPLATED "6" (8TH DIGIT).
- SERVICE MODELS WITH "C" IN THE 10TH DIGIT REPLACE ALL "A", "C" AND "E" ORIGINAL EQUIPMENT MODELS AND "D" SERVICE MODELS REPLACE "8" & "F" MODELS. TERMINAL BOXES AND OVERLOADS ARE TO BE RE-USED OR REPLACED IF DAMAGED.
- "09" IN THE 11TH & 12TH DIGITS HAS BEEN USED IN THE PAST FOR 400-3-50 MOTORS AND IS NO LONGER USED. SO AS TO AVOID CONFUSION IN SERVICE THESE DIGITS ARE TO BE LEFT ON THIS CHART BUT ARE NOT TO BE RE-USED.

06D HERMETIC RECIP. COMPRESSOR

4TH DIGIT UNLOADER VARIABLE				DESCRIPTION
LETTER	SERIES	BOOTH		
L	S			NO HOT GAS BYPASS UNLOADERS
T	A			ELECTRIC UNLOADERS 1 STEP
A	N			ELECTRIC UNLOADERS 2 STEP
B	V			PRESSURE UNLOADERS 1 STEP
C	I			PRESSURE UNLOADERS 2 STEP
D	R			SUCTION CUT-OFF 1 STEP
E	E			ELECTRIC UNLOADERS 2 STEP
F		X		MED. TEMPERATURE, REPLACES ALL "A's" IN SERVICE
G		X		2 SHAVED HDS. - SPECIAL ORDER REFRIGERATION
M		X		AIC - 2 PLUGGED HDS. REPLACES ALL C&E SERVICE SPEC. ORDERS
N		X		1 PLUGGED HEAD - REPLACES ALL B,C,D&E PROD. MODELS IN SERVICE
R	X			REFR. - 2 PLUGGED HDS. SERVICE SPEC. ORDER
W	X			HI-EFF SERVICE MOD. W/1 BLOCKED UNLDR HD - REPLACES F,G,H&J
X	X			SUCTION CUT-OFF PRES 1 STEP
Y	X			SURE UNLOADERS! 2 STEP
S				
H	X			
J	X			

13TH DIGIT	FUTURE DESIGN VARIABLES
0	ORIGINAL DESIGN A/C & REFRIG.
1	2ND GENERATION REFRIG. CPRSR. W/NEW VALVE PLATE
2	MED. RANGE A/C CPRSR. WITH REFRIG. CHARACTERISTICS
3	LOW CLEARANCE VOLUME
4	SUCTION CUT-OFF 1 STEP
5	ELECTRIC UNLOADERS
6	OIL-LESS
7	-

14TH DIGIT	PACKAGING VARIATIONS
0	SERVICE UNIT SINGLE PACK-BASE UNIT UNPACKAGES
1	SINGLE PACK - DOMESTIC
2	LESS SERVICE VALVE
3	MULTI-PACK DOMESTIC
4	EXPORT - 1 UNIT
5	MULTI-PACK
6	PALLETIZED
7	GOVERNMENT PACK
8	SINGLE PACK - DOMESTIC WITH SERVICE VALVE
9	MATCHED COMPONENTS - CONSISTS OF SEPARATE EXPORT PACKAGE PIECES DOMESTIC MULTI-PACK & MCMINNVILLE

10TH DIGIT	OVERLOAD & T'STAT VARIABLE SEE NOTE 2			DESCRIPTION
	EXTL. OVLDS.	INTL. T'RAT.		
A	YES	YES		
B	YES	NO		
C	NO	YES		
D	NO	NO		
E	YES	YES		1ST OVERLOAD VARIATION
F	YES	NO		1ST OVERLOAD VARIATION
G	YES	YES		MANUAL RESET OVERLOADS
T	NO	YES		TECUMSEH SERVICE MODELS

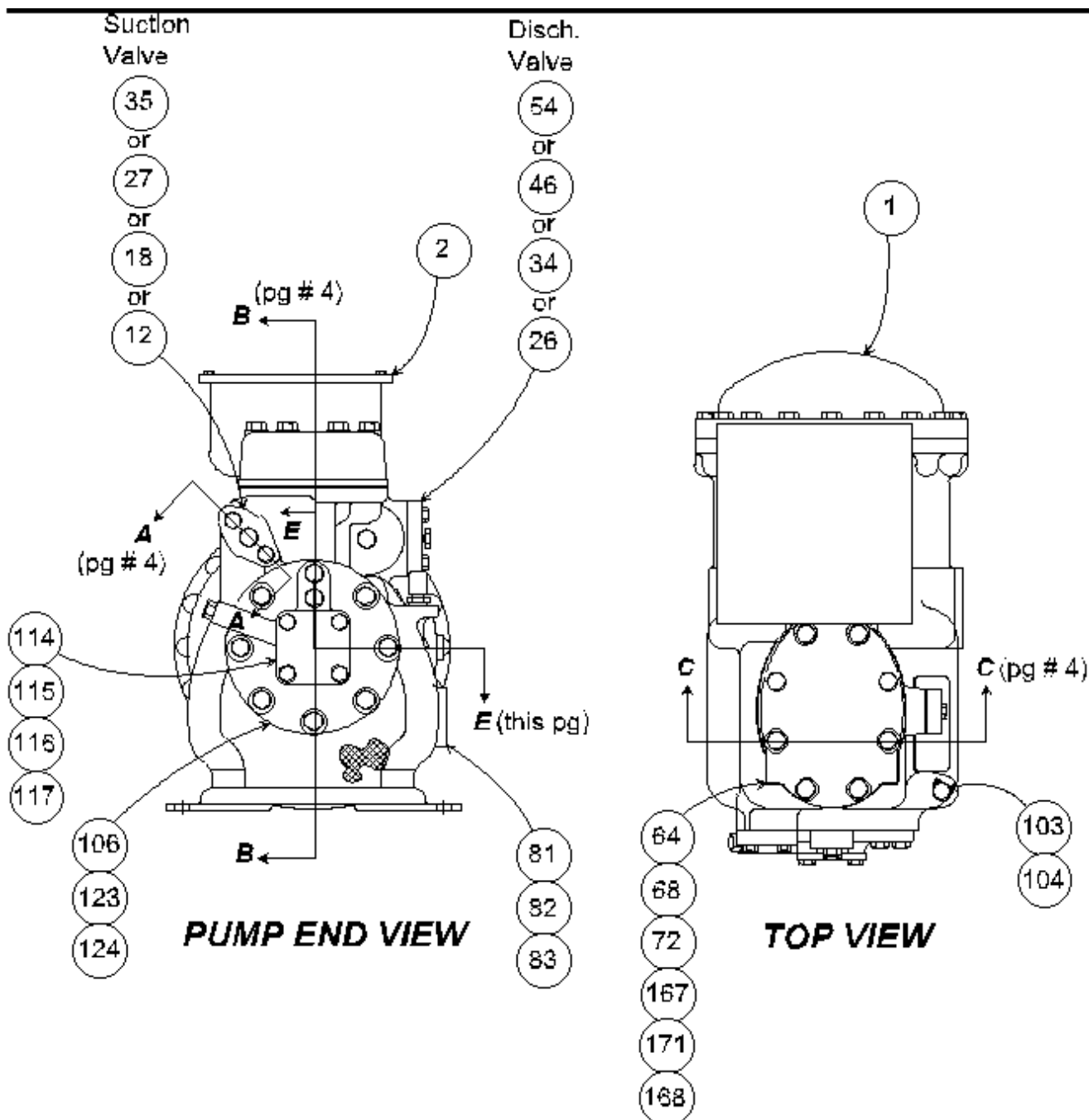
11TH & 12TH DIGITS	ELECTRICAL CHARACTERISTICS VOLTS-PHASE-HERTZ	START
00	-	XL
01	575 - 3 - 60	XL
02	200 - 1 - 60	XL
03	230 - 1 - 60	XL
04	200 - 3 - 60	XL
05	230 - 3 - 60	XL
06	400/460 - 3 - 50/60	XL
07	230 - 1 - 50	XL
08	220 - 3 - 50	XL
09	SEE NOTE 3	XL
10	230 - 2 - 60	XL
11	480 - 3 - 60	XL
12	208/230 - 3 - 60	XL
13	380 - 3 - 60	XL
14	200 - 3 - 60	P/W
15	230 - 3 - 60	P/W
18	220 - 3 - 50	P/W
19	230/460 - 3 - 60	XL
21	575 - 3 - 60	XL
26	400/460 - 3 - 60	XL
31	575 - 3 - 60	XL
32	208/230 - 3 - 60	XL
36	400/460 - 3 - 50/60	XL
38	415 - 3 - 50	P/W
39	415 - 3 - 50	XL
33	208/230 - 1 - 60	XL
34	220 - 3 - 50	XL

5TH DIGIT VARIABLE	MOTOR SIZES		
	2 CYL	4 CYL	6 CYL
0	2 HP		
1			5 HP
2			24 LBFT
3		5 HP	27 LBFT
4	3 1/2 HP		
5		5 1/2 HP	38 LBFT
6			
7		5 HP	20 LBFT
8	3 HP	20 LBFT	24 LBFT
9			

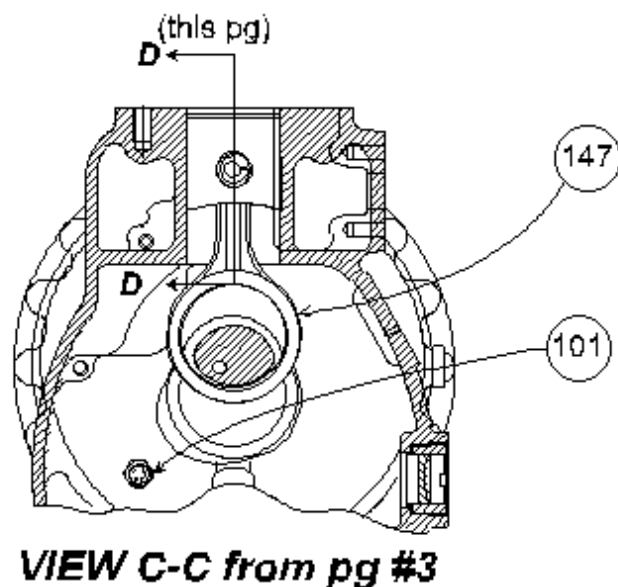
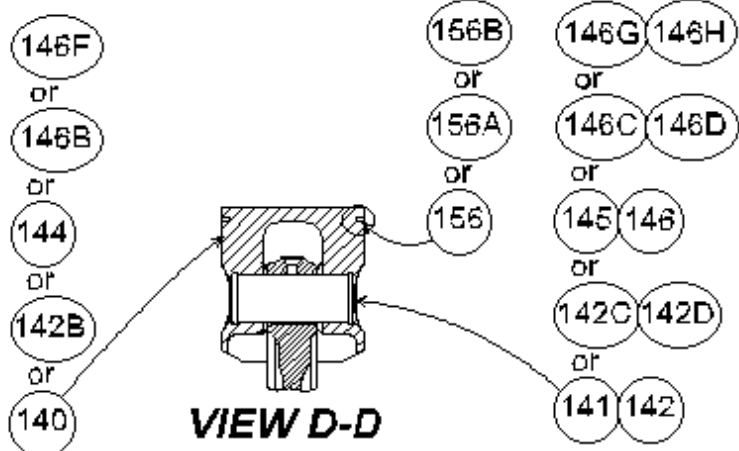
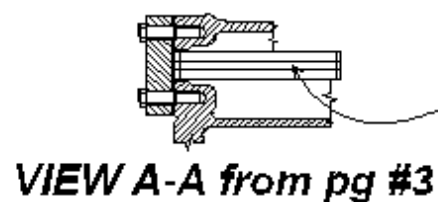
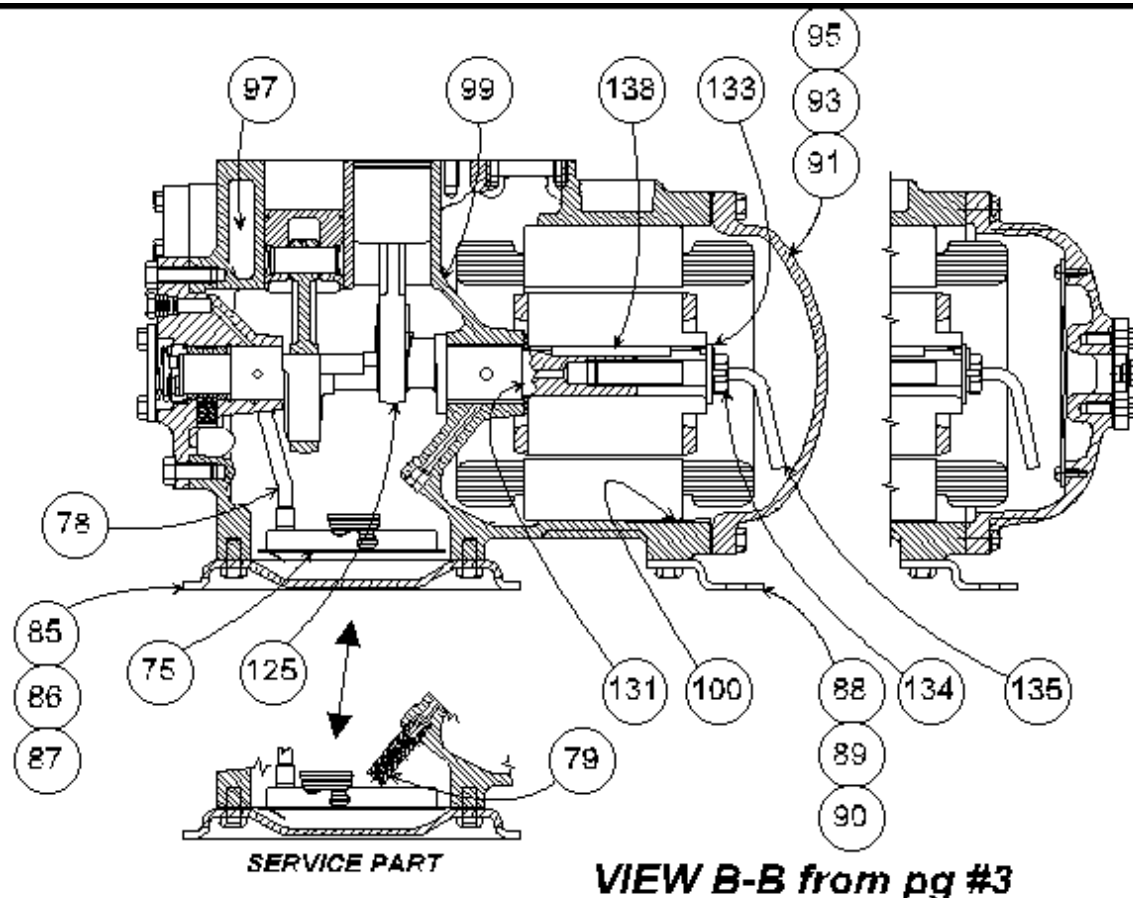
8TH DIGIT	KEY NO. SIGNIFICANCE
0	PROD. MOD. W/T-BOX
1	PKG. CPRSR. & CONTROL BOX
2	OEM A/C CPRSR.
3	TYLER MODELS
4	TECUMSEH OEM MODELS
5	FUTURE USE
6	REMAN. SERVICE CPRSR.
7	NEWMAN SERVICE CPRSR.
8	SPECIAL ORDER ONLY
9	SERV. SPEC. OR SEE NOTE 1

6TH & 7TH DIGITS	CRANKCASE ASSEMBLY NO.	CYL BORE
	CFM	
07	6D20-249	1-13/16
08	6D23-249	2
09	6D23-249	2
13	6D48-249	2
16	6D48-249	2
18	6D48-249	2
20	6D48-249	2
24	6D68-249	2
25	6D75-249	2
28	6D75-249	2
37	6D75-249	2

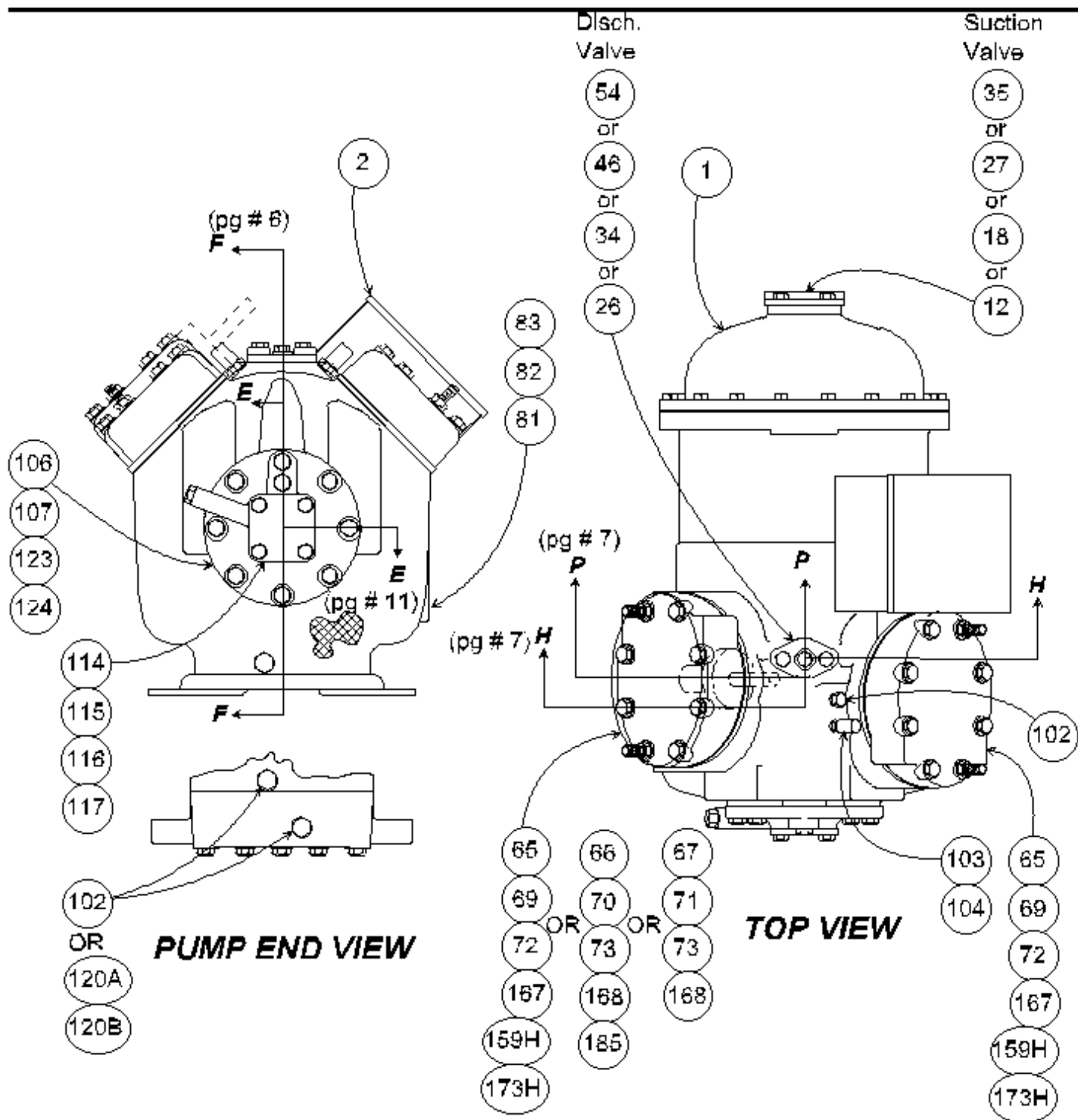
9TH DIGIT	SUCTION SERVICE VALVE VARIABLES		
	LOC. OF VALVE	M.E. COV. DESC.	VALVE ORIENTATION
A	MOTOR END	2 BOLT	30
B	MOTOR END	4 BOLT	30
C	MOTOR END	2 BOLT	90
D	MOTOR END	4 BOLT	90 OR 180
E	MOTOR END	2 BOLT	150
F	PUMP END	PLAIN	270
G	PUMP END	PLAIN	225



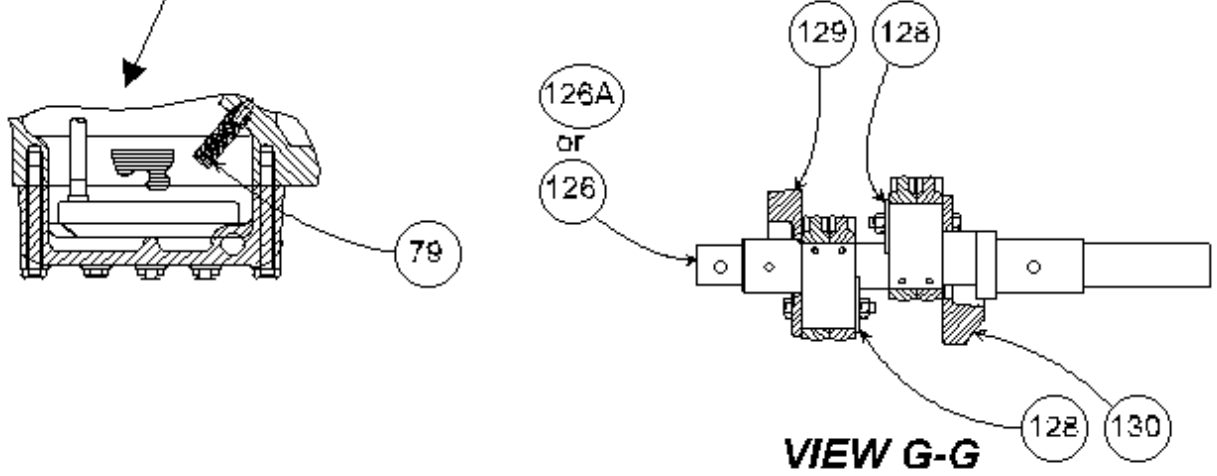
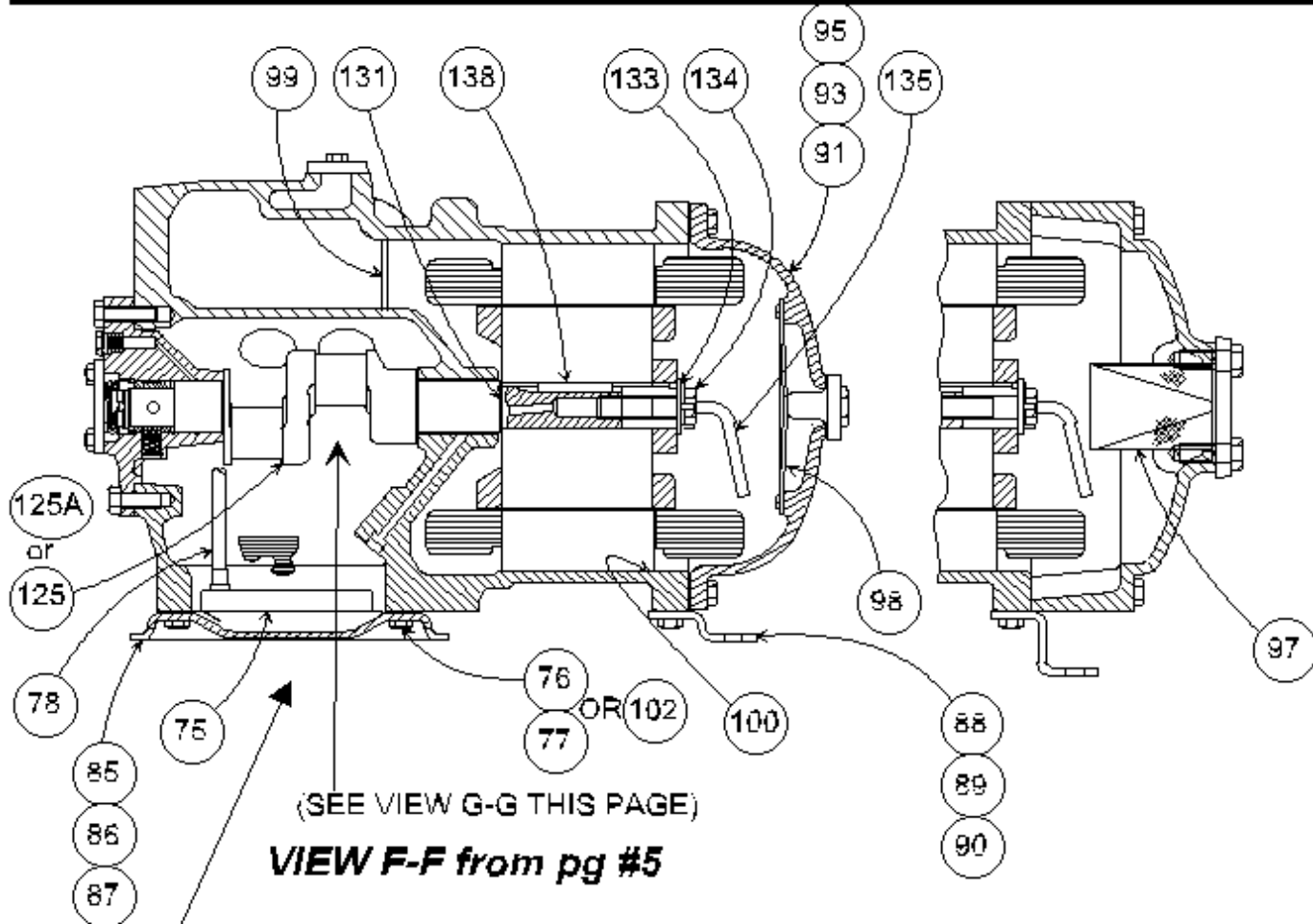
2 CYL. COMPRESSORS



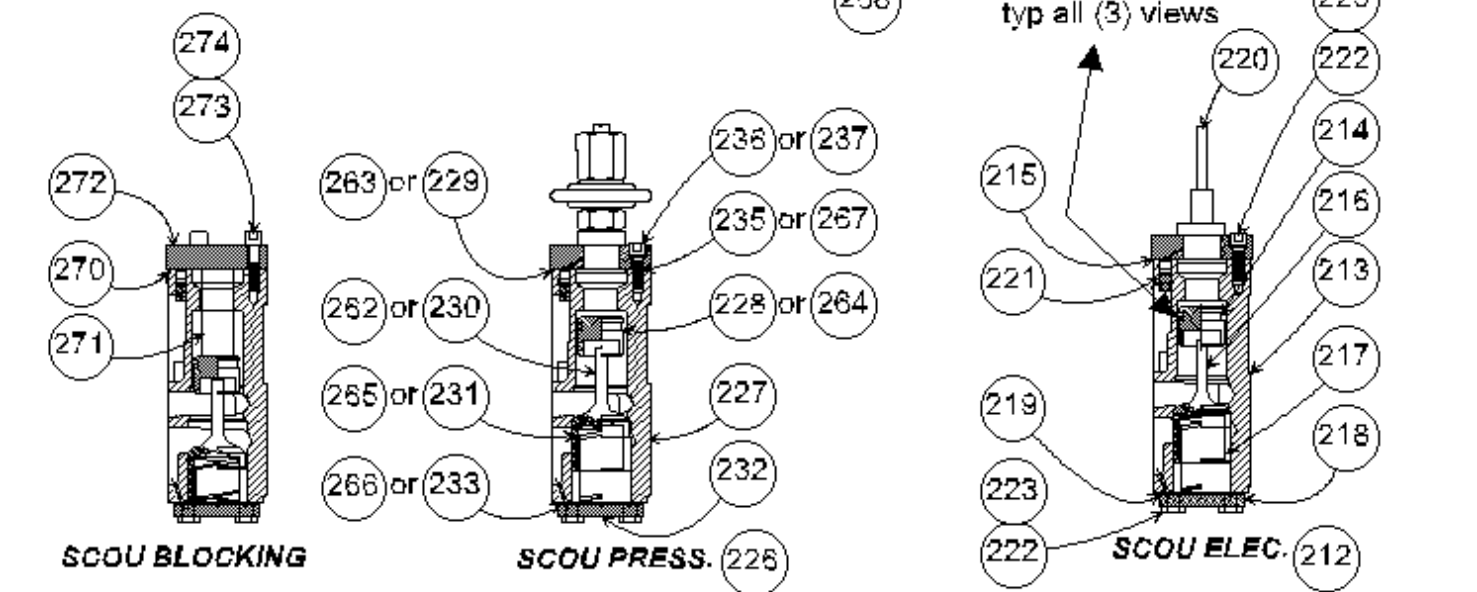
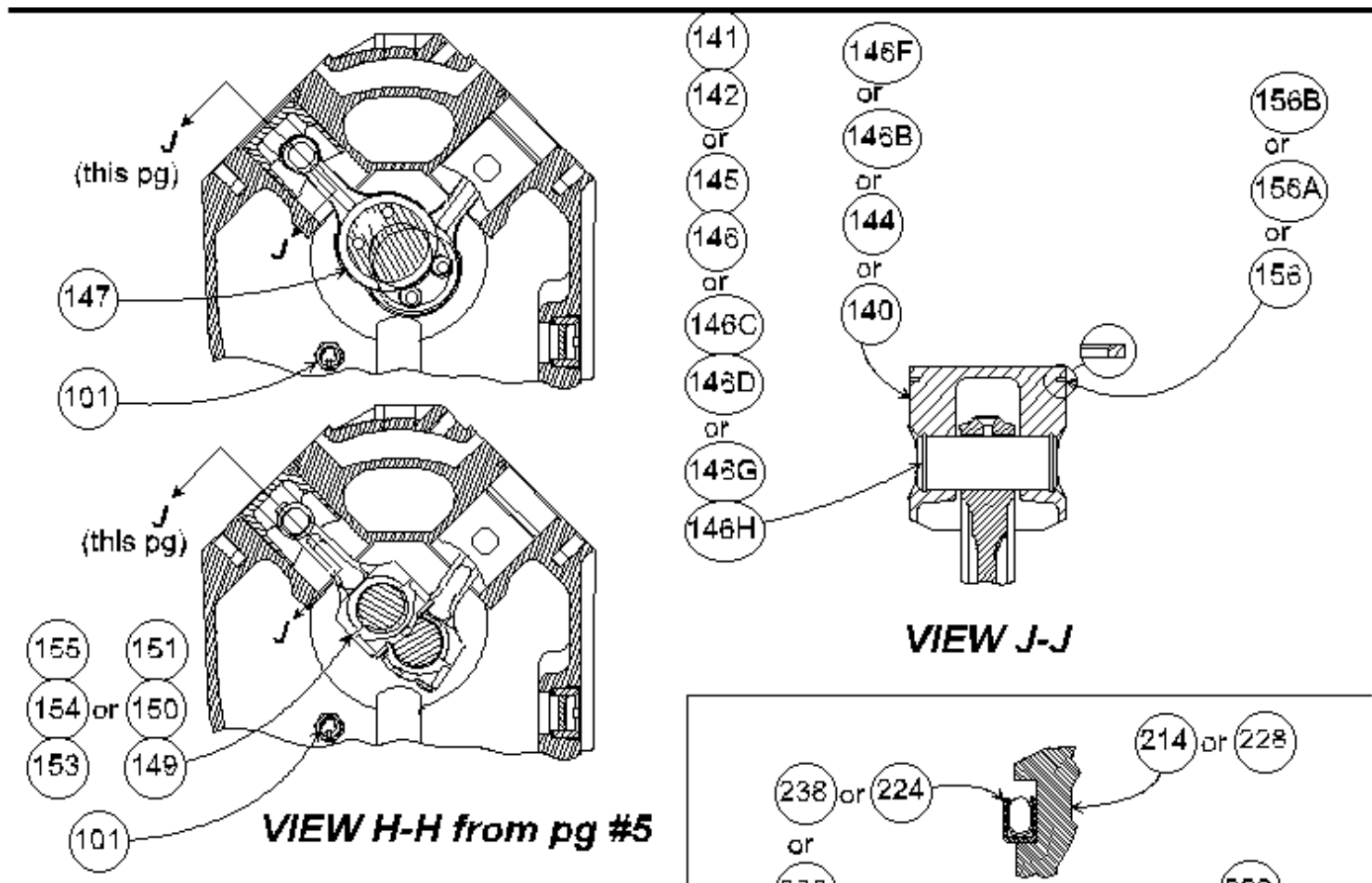
2 CYL. COMPRESSORS



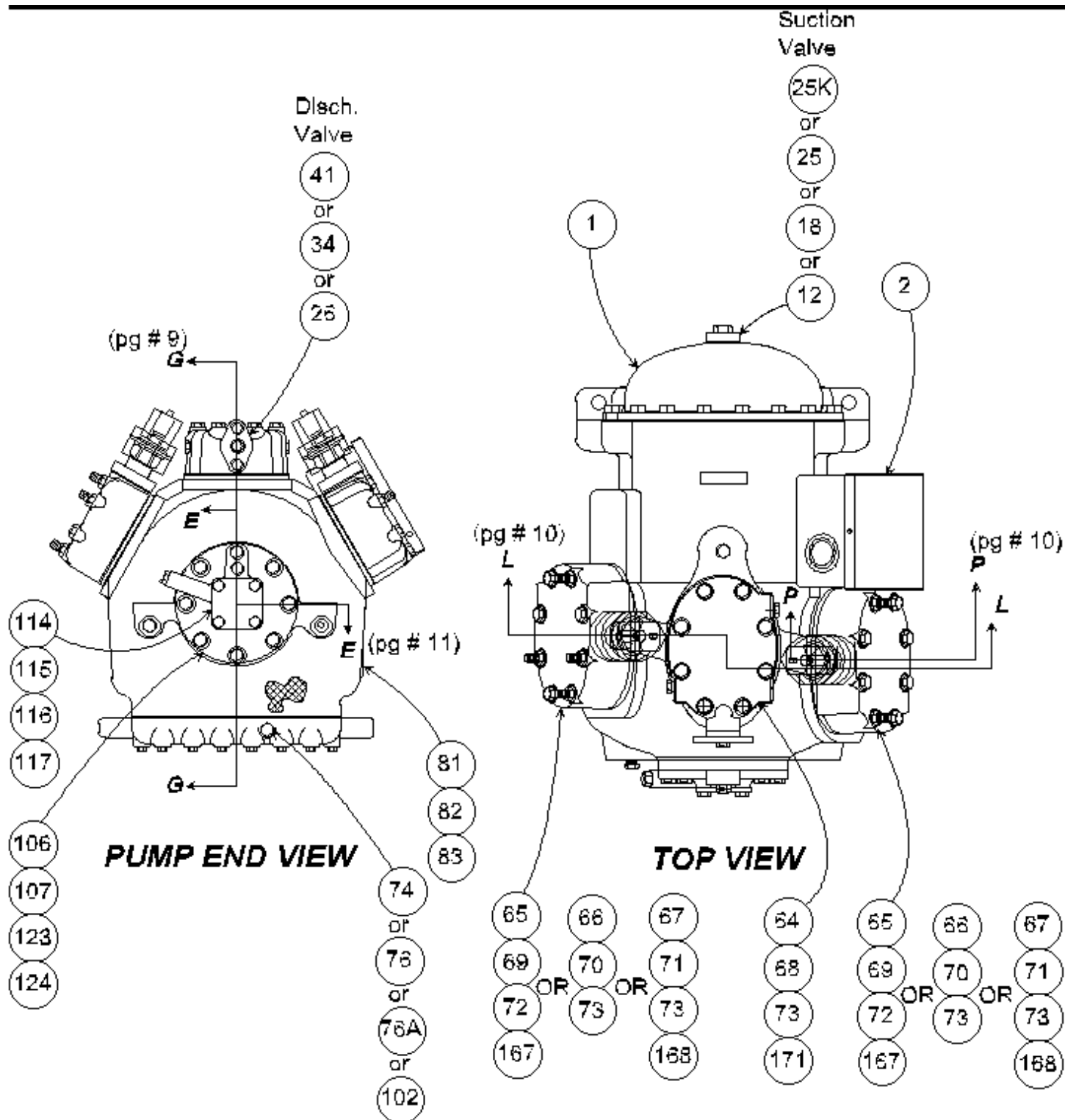
4 CYL. COMPRESSORS



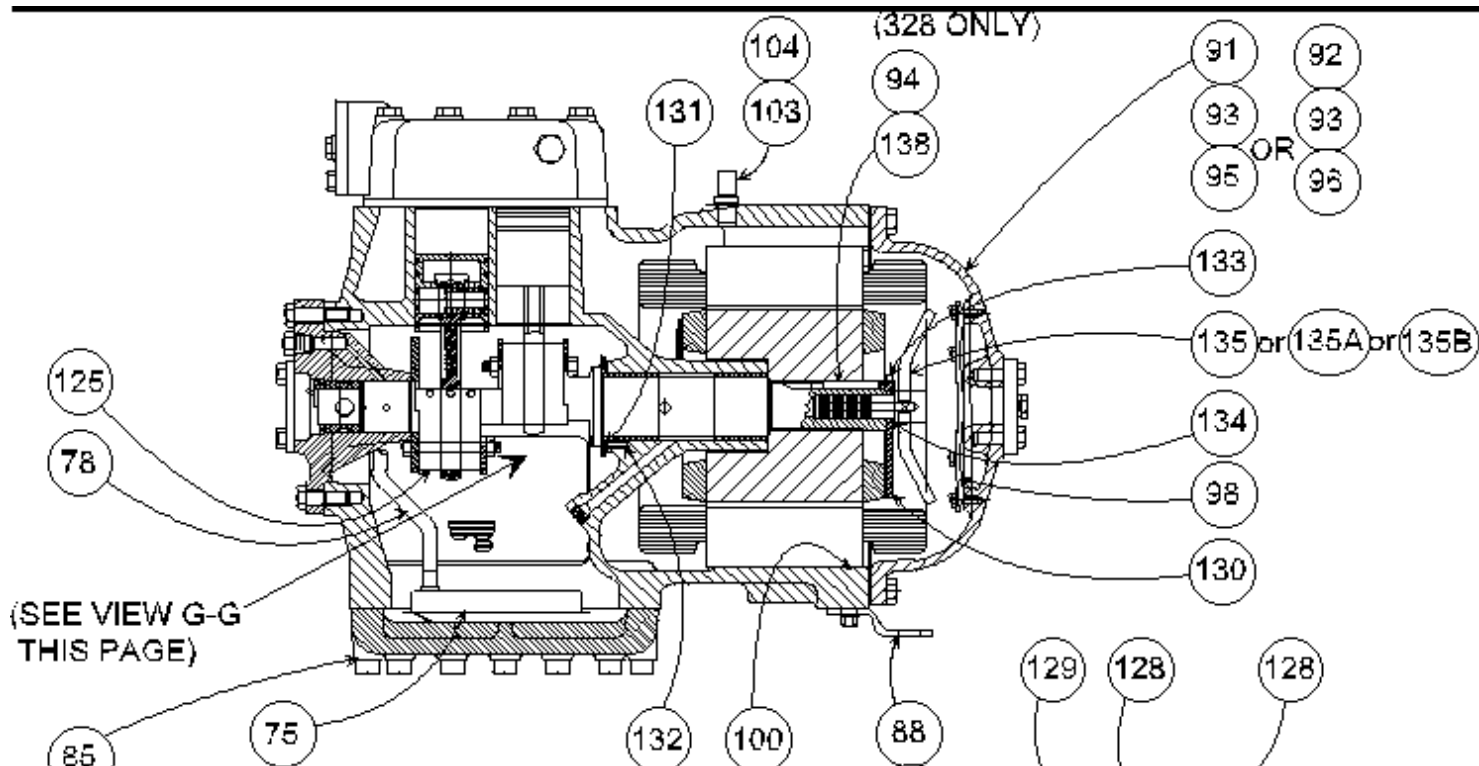
4 CYL. COMPRESSORS



**HGBP CAPACITY CONTROL
VIEW P-P from pg #5
4 CYL. COMPRESSORS**

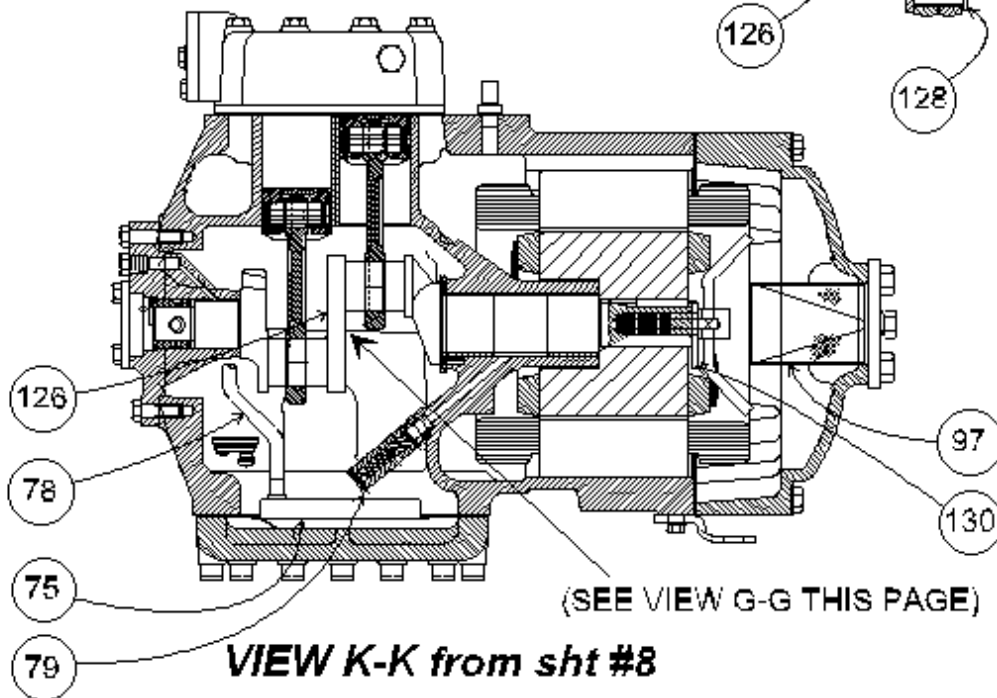


6 CYL. COMPRESSORS



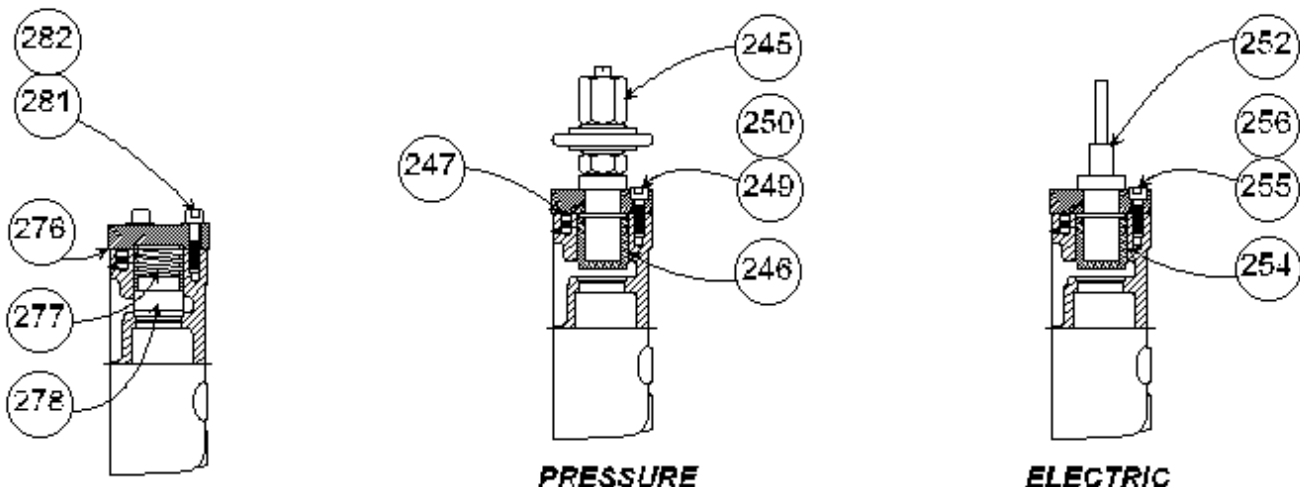
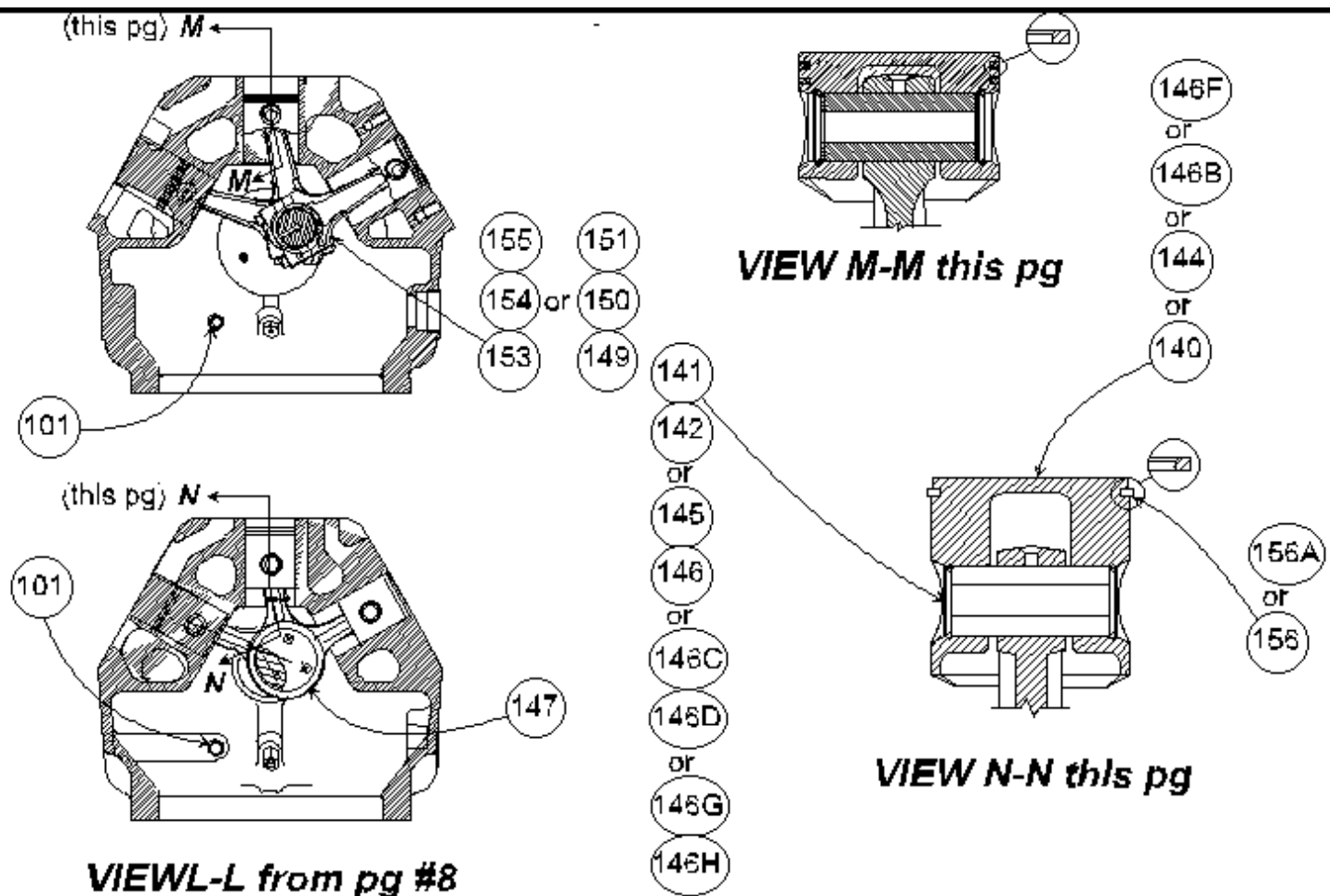
VIEW K-K from pg #8

VIEW G-G

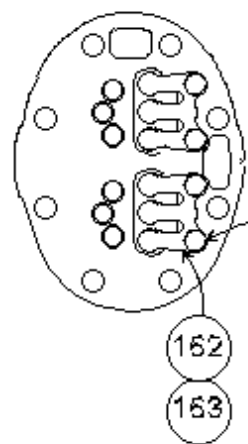


VIEW K-K from sht #8

6 CYL. COMPRESSORS

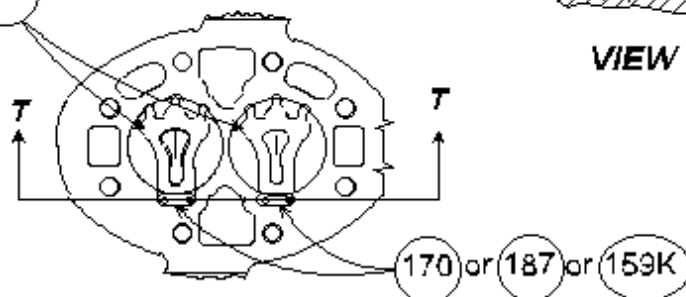


**HGBP CAPACITY CONTROL
VIEW P-P from pg #8
6 CYL. COMPRESSORS**



2 CYL. COMP'S

- (159J)
- or
- (173J)
- or
- (186)
- or
- (169)



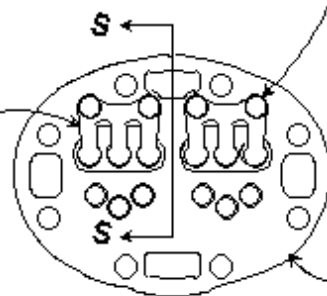
ALL COMP'S

- (176)
- (175)
- or
- (163)
- (162)
- or
- (159D)
- (159C)
- or
- (173D)
- (173C)



VIEW S-S

- (159E)
- or
- (182)
- or
- (177)
- or
- (164)

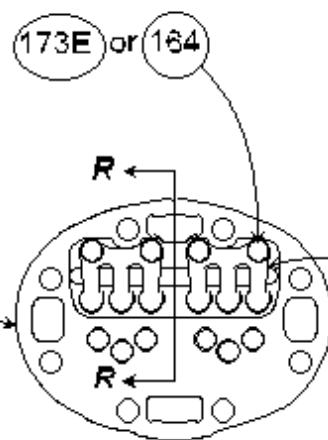


A/C COMP'S
MED. TEMP. COMP'S

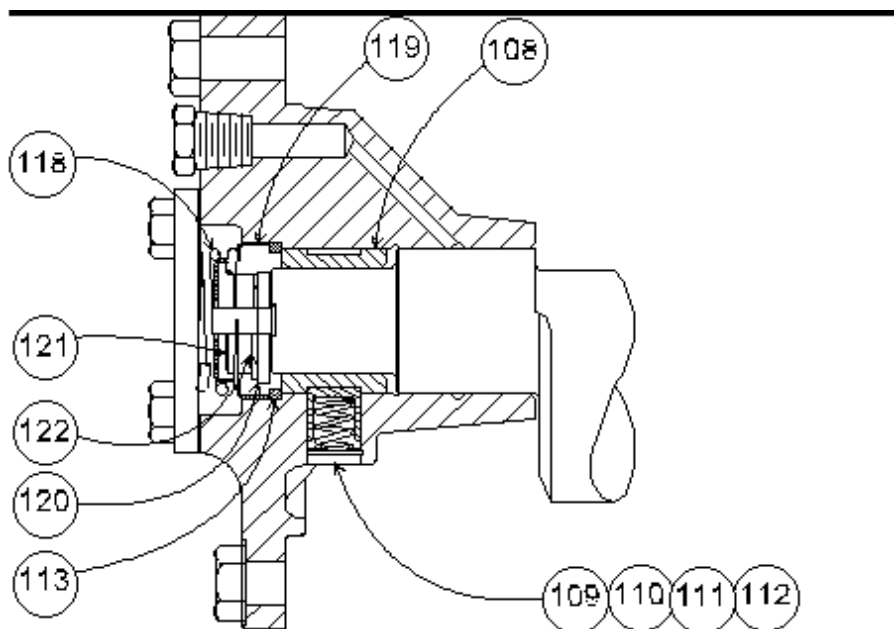


VIEW R-R

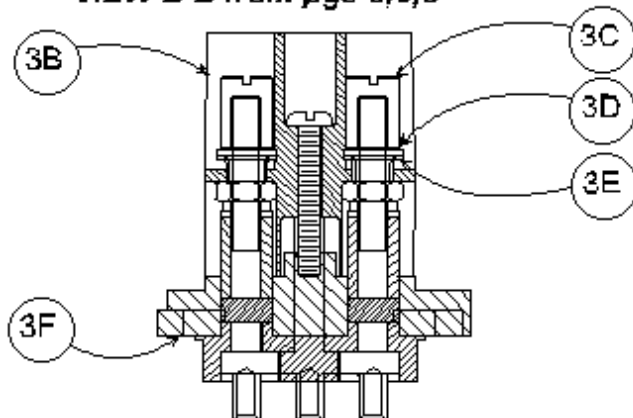
- (176)
- (175)
- or
- (163)
- (162)
- or
- (159D)
- (159C)
- or
- (173D)
- (173C)



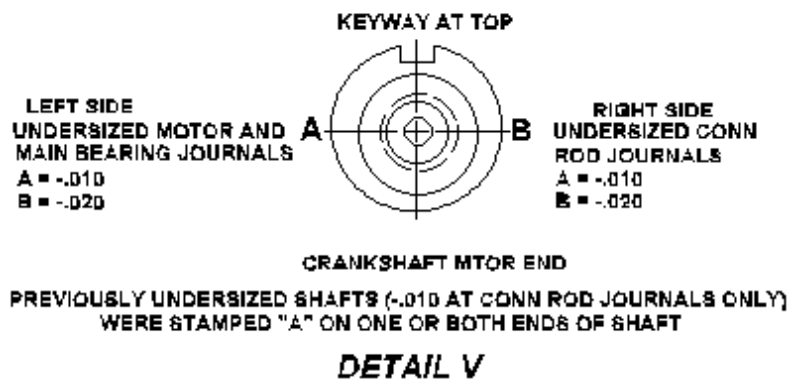
REFRIG. COMP'S



VIEW E-E from pgs 3,5,8



3A TYPICAL TERMINAL PLATE



Model 06DR109.....

Description 2 & 4 CYLINDER REFRIG. DUTY RECIPROCATING COMPRESSOR, 6D21 2 CYL

Itm#	Qty	Rec	Part Number	Description
1A	1	-	06DR1096GA3250	COMPRESSOR ASSEMBLY 208/230-3-60
1B	1	-	06DR1096CC3350	COMPRESSOR ASSEMBLY 208/230-1-60
1C	1	-	06DR1096GA3650	COMPRESSOR ASSEMBLY 460/400-3-50/60
1D	1	-	06DR1096GA3150	COMPRESSOR ASSEMBLY 575-3-60: NOTE: COMPRESSORS WITH A 5 IN THE 13TH DIGIT HAVE NO OIL CHARGE.
2	1	-	06DA660075	TERM.BOX & COVER KIT(3X 5X 6)
2B	1	-	06DA660076	TERM.BOX & COVER KIT(3.4X6X6)
2D	1	-	06DA660088	TERM.BOX & COVER KIT(3 X6 X6)
3	1	-	06DA660134	TERMINAL PLATE PACKAGE: INCLUDES: ITEMS 3A - 3H
3A	1	-	NSS	> TERMINAL PLATE ASSY(6 PIN): INCLUDES: ITEMS 3B - 3E
3B	1	-	06DA503674	> PHASE BARRIER(PLASTIC)
3C	6	-	06DA503262	> NUT,TERMINAL(BRASS)
3D	6	-	AU29AR171	> WASHER,LOCKTOOTH
3E	6	-	06DA502333	> SPACER SLEEVE (BRASS)
3F	1	-	06DA504123	> GASKET,TERMINAL PLATE
3G	2	-	NSS	> SPLICE
3H	4	-	NSS	> SCREW,TERMINAL PLATE MTG
4B	1	-	6D401311	GROMMET,MOTOR LEAD
5	1	-	06DA660095	TERMINAL PACKAGE: INCLUDES: ITEM 5A
5A	6	-	NSS	> TERMINAL NUT & SET SCREW: NOTE: FOR USE ONPOWER LEADS THROUGH SIZE #5 WIRE.
6A	1	C	HN69GZ037	OVERLOAD 0300* 230-1-60: NOTE: * INDICATES VOLTAGE CODE OF COMPRESSOR LISTED AS LAST 4 DIGITS OF COMPRESSOR MODEL NUMBER. SEE SIGNIFICANCE CHARTS ON PAGES 1 & 2 OF GRAPHICS FOR THIS CATALOG.
6B	2	C	HN69GZ007	OVERLOAD 0400* 208-3-60
6C	2	C	HN69GZ039	OVERLOAD 0500* 230-3-60
6E	2	C	HN69GZ015	OVERLOAD 0600* 400/460-3-50/60
6F	2	C	HN69GZ012	OVERLOAD 0100* 575-3-60
6G	2	C	HN69GZ012	OVERLOAD 0800* 230-3-50
6M	2	C	HN69GZ060	OVERLOAD 3100* 575-3-60
6N	2	C	HN69GZ007	OVERLOAD 3200* 208/230-3-60 XL
6Q	2	C	HN69GZ015	OVERLOAD 3600* 400/460-3-50/60
6R	2	C	HN69GZ015	OVERLOAD 3900* 415-3-50
9	1	-	06DA660077	OVERLOAD SPACER PACKAGE(2PCS): NOTE: OVERLOAD SPACER IS USED TO MOUNT O/L'S IN TERMINAL BOX.
9A	1	-	06DA403052	OVERLOAD SPACER PACKAGE: NOTE: WILL TAKE UP TO 6 O/L'S.
9B	1	-	06DA403042	OVERLOAD SPACER PACKAGE: NOTE: WILL TAKE 1 OR 2 O/L'S.
27	1	R	06DA660061	SUCTION SERVICE VALVE PKG: INCLUDES: ITEMS 28-33A
28	1	-	NSS	> SERVICE VALVE
29	1	R	6D231421	> GASKET,VALVE
30	2	-	NSS	> CAPSCREW,VALVE MOUNTING
31	1	-	EN99ZA006	> CAP,VALVE (MUELLER)
33	1	-	EN99ZA102	> GASKET,VALVE CAP (MUELLER)
43	1	-	06DA660127	BAFFLE PLATE PKG (UNDER DISCH VLV): INCLUDES: ITEMS 44-45
45	2	-	6D231421	> GASKET
46	1	R	06DA660060	DISCHARGE SERVICE VALVE PKG: INCLUDES: ITEMS 47-52A
47	1	-	NSS	> SERVICE VALVE(5/8ODS,2BOLT)
48	1	R	6D231421	> GASKET,VALVE (1.62 CTRS.)
49	2	-	NSS	> CAPSCREW,VALVE MOUNTING
50	1	-	EN99ZA001	> CAP,VALVE(MUELLER)
54	1	R	06DA660059	DISCHARGE SERVICE VALVE PKG: INCLUDES: ITEMS 55-60A
55	1	-	NSS	> SERVICE VALVE

Itm#	Qty	Rec	Part Number	Description
56	1	R	6D231421	> GASKET,VALVE (1.62 CTRS)
57	2	-	NSS	> CAPSCREW,VALVE MOUNTING
58	1	-	EN99ZA001	> CAP,VALVE (MUELLER)
60	1	-	EN99ZA102	> GASKET,VALVE CAP (MUELLER)
62	1	-	PH23QK016	PAINT (SPRAY CAN)(SEA FOAM GREEN)
63	1	R	6D43172	GASKET SET (NOTE): NOTE: GASKET SET CONTAINS ITEMS 3F,14,30,31,38,46,51 73,80,108 & 200. ALL AVAIL.VERSIONS OF EACH INCL'D. QUANTITIES ARE SUFFICIENT FOR 2,4 OR 6 CYL..
64	1	-	6D402163	HEAD,CYLINDER (CENTER)
68	1	R	05GA502213	GASKET,CYLINDER HEAD (CENTER)
72	8	-	AA06GR237	CAPSCREW,CYLINDER HEAD (PLAIN)
75	1	-	6D40103	SCREEN ASSEMBLY,OIL FILTER
78	1	-	05DA500283	TUBE,OIL SUCTION
79	1	-	6D23522	VALVE ASSEMBLY,OIL RELIEF
81	1	-	30HH401051	ADAPTOR (1 1/2-18 X 1 1/8 ODS)
82	1	R	5F20152	SIGHTGLASS ASSEMBLY: INCLUDES: ITEM 83
83	1	R	5F201631	> GASKET,SIGHTGLASS
85	1	-	6D401033	COVER,BOTTOM
86	1	-	6D401043	GASKET,BOTTOM COVER
87	16	-	NSS	CAPSCREW,BOTTOM PLATE
88	1	-	6D401042	FOOT,COMPRESSOR (MOTOR END)
89	2	-	NSS	CAPSCREW,COMPRESSOR FOOT
90	2	-	AU27AR241	WASHER,EVERLOCK
91	1	R	6D231084	COVER,MOTOR END: NOTE: AN ALTERNATE COVER FOR 2 BOLT SUCT. VALVE IS 06DA505404 ON 109 SIZE.
93	1	R	6D231063	GASKET,MOTOR END COVER
95	18	-	NSS	CAPSCREW,MOTOR END COVER
97	1	R	6D23112	STRAINER,SUCTION (CYLINDER)
99	1	-	6D231172	PLATE,BAFFLE (OLDER UNITS ONLY)
100	1	-	AX14CA135	ROLLPIN (STATOR TO C'CASE)
101	1	-	6D40162	VALVE ASSEMBLY,CHECK
102	3	-	CA63AA051	PLUG,PIPE (1/4")
103	1	-	06DA403844	VALVE ASSEMBLY,LOW PRESS.CONN
104	1	-	99CC409372	CAP,VALVE
105	1	-	06DA660126	BEARING HEAD PACKAGE: NOTE: BRG. HEAD PKG. HAS 1/8 NPT CONN. FOR OIL SAFETY SW.WHICH IS NOT PART OF IT.# 105. ORDER SW. P529-2110 IF REQ'D. ALSO SEE IT # 283. INCLUDES: ITEMS 106-124
106	1	-	NSS	BEARING HEAD ASSEMBLY: INCLUDES: ITEMS 107-120
107	1	-	NSS	BEARING,HEAD includes
108	1	-	NSS	> ROTOR,PUMP
109	2	-	NSS	> VANE,PUMP
110	2	-	NSS	> SPRING,VANE
111	2	-	NSS	> GUIDE,SPRING
112	1	-	NSS	> RING,RETAINING
113	1	-	NSS	> RING,ROTOR RETAINING
114	4	-	AU51YA003	> GASKET,CAPSCREW
115	4	-	AA06GR199	> SCREW,HEX HEAD CAP
116	1	-	7J16002	> PLATE,COVER
117	1	R	6D401061	> GASKET,COVER PLATE
118	1	-	6D401112	> SPRING,GUIDE VANE
119	1	-	6D401171	> VANE,GUIDE
120	1	-	05KA404093	> DRIVE SEGMENT,OIL PUMP
120A	1	-	05GA502142	> FILL PLUG (3/8-24 SAE)
120B	1	-	KK71EW904	> "O" RING (FOR ITEM 120A)
121	2	-	NSS	SCREW,SOCKET HEAD
122	2	-	NSS	LOCKWASHER
123	8	-	NSS	SCREW,HEX HEAD CAP
124	1	R	6D401022	GASKET,BEARING HEAD

Itm#	Qty	Rec	Part Number	Description
125	1	-	6D241094	SHAFT,ECCENTRIC
131	1	-	6D231591	THRUSTWASHER
133	1	-	06DA503112	LOCKWASHER,ROTOR (1.75DIA)
134	1	-	06DA503102	LOCKWASHER (5/8) 5PT.STAR
135	1	-	6D23122	TUBE ASSEMBLY,EQUALIZER: NOTE: THE FOLLOWING STD & OVERSIZE FLATTOP PISTONS ARE USED ON COMPR. MODELS 06D_____0100,0400, 500,600 & 1200 ONLY.
138	1	-	AW01DA103	KEY,ROTOR
139	2	-	06DR660025	PISTON & PIN PKG.(2.00 DIA): INCLUDES: ITEMS 140-142
140	1	-	NSS	> PISTON (CONTOUR TOP)
141	1	-	NSS	> PISTON,PIN
142	2	-	6D431651	> RETAINING RING,PISTON PIN
143	2	-	06DR660033	PISTON & PIN PKG.(+.020): INCLUDES: ITEMS 144-146
144	1	-	NSS	> PISTON (CONTOUR TOP)
145	1	-	NSS	> PISTON PIN
146	1	-	6D431651	> RETAINING RING,PISTON PIN
146A	2	-	6D43962	PISTON & PIN PKG.(2.00 DIA BORE): INCLUDES: ITEMS 146B-146D
146B	1	-	NSS	> PISTON (FLAT TOP)
146C	1	-	NSS	> PIN,PISTON
146D	2	-	6D431651	> RETAINING RING,PISTON PIN
146E	2	-	06DA660067	PISTON & PIN PKG.(+.020): INCLUDES: ITEMS 146F-146H
146F	1	-	NSS	> PISTON (FLAT TOP)
146G	1	-	NSS	> PIN,PISTON
146H	2	-	6D431651	> RETAINING RING,PISTON PIN: NOTE: THE 06DR013 COMPRESSOR WITH 1.81 CYL BORE IS NO LONGER PRODUCED. THE PRE 1985 COMPRESSOR MODELS THAT ENDED IN 004,005,006,008 USED THIS SMALLER PISTON WHICH IS NLA.ALL COMPR MODELS WITH ENDINGS OF 3100,3200 3600,3800 ARE ALL 2.00 BORE.
147	2	-	5D401372	ECCENTRIC STRAP
156	2	-	AU50CP355	RING,COMPRESSION(2.00 DIA)
156A	2	-	6D402553	RING,COMPRESS.(2.00 DIA +.020): NOTE: I.D. BY .020 STAMPED NEXT TO OVERSIZED CYLINDER CHECK NEAR EACH,NOT ALL MAY BE MARKED,ONLY 1 OR 2.
158	2	-	AU50CP245	RING,OIL (2.00 DIA): NOTE: CURRENT PRODUCTION COMPR. NO LONGER USE OIL RINGS.
158A	2	-	6D402543	RING,OIL (2.00 DIA +.020)
160	1	-	06DA660094	VALVE PLATE PACKAGE (2.00 BORE): INCLUDES: ITEMS 161-172
161	1	-	NSS	> VALVE PLATE ASSMBLY: INCLUDES: ITEMS 162-165
162	2	-	06DA502913	> VALVE,DISCHARGE
163	2	-	06DA503943	> STOP,DISCHARGE VALVE
164	4	-	06DA507672	> SCREW,HEX HEAD
165	4	-	AU61ML171	> LOCKWASHER
166	1	-	05DA500153	GASKET,VALVE PLATE (STD)
167	1	R	05GA502213	GASKET,CYL HEAD (W/O UNLOADING)
169	2	-	06DA502903	VALVE,SUCTION (HI-EFF)
170	2	-	NSS	SPRING,SUCT VALVE POSITION
171	1	R	05GA502173	GASKET,CYL HEAD (CENTER)
172	1	-	06DA502923	GASKET,VALVE PLATE (LESS 1 PORT)
189	1	R	06DA660091	C'CASE HTR;STRAP ON 115V,50W
189A	1	R	06DA660092	C'CASE HTR;STRAP ON 230V,50W
190	1	-	07DA500011	> BRACKET
197	1	-	30HR0701071	SOLID MOUNT SPACER PACKAGE
198	1	-	06DA900072	OIL EQUALIZATION PKG (R'PL GLASS): INCLUDES: ITEMS 199-200
199	2	-	30HH401051	> ADAPTER (1 1/2-18 X 1 1/8 OD)
200	2	-	5F201631	> GASKET: NOTE: SOME 06DR109 MODELS MAY HAVE A 3/4 NPT SIGHT GLASS CONNECTION. SEE PMB 87-42 FOR INSTRUCTIONS.
201	1	-	06DA605594	MUFFLER

Itm#	Qty	Rec	Part Number	Description
202	1	-	06EA660096	MOUNTING PLATE KIT
203	1	-	06DA660058	SUSPENSION KIT: INCLUDES: ITEMS 204-210
204	4	-	50K21231	> SPRING,MOUNTING
205	4	-	50K41221	> RETAINING,SPRING
206	4	-	AT61JA241	> NUT,LOCK
207	4	-	6D732241	> SNUBBER
208	4	-	6D732251	> CUP,SNUBBER
209	4	-	NSS	> STUD
210	8	-	NSS	> NUT,FLANGED: NOTE:SUCTION CUTOFF CAPACITY CONTROL CAN BE USED ON REFRIG COMPR'S.
283	1	-	06EA401993S1	OPSS TRANSDUCER KIT(OIL PRESS SFTY SW): INCLUDES: ITEMS 284-299
284	1	-	06EA680078	> MOUNTING BLOCK
285	1	-	06DA680063	> GASKET,MOUNTING BLOCK
286	1	-	06DA403713	> SENSOR PACKAGE: INCLUDES: ITEMS 287-290
287	1	-	NSS	> > CONTROL ASSY
288	1	-	06DA405552	> > WIRE ASSY
289	1	-	06DA405532	> > SENSOR,LUBE
290	1	-	06DA680060	> > WASHER
291	4	-	NSS	> SCREW,ALLEN HEAD
292	1	-	CA63ZZ051	> PLUG,PIPE 1/4"
293	1	-	NSS	> PLUG,PIPE 1/8"
294	1	-	DD07UA051	> COUPLING,HALF UNION
295	1	-	DD07DA053	> COUPLING,HALF UNION
296	1	-	DD10CA053	> ELBOW,HALF UNION
297	1	-	NSS	> SET SCREW
298	1	-	NSS	> TUBE ASSY
299	1	-	NSS	> ALLEN WRENCH
300	1	-	06DA660114	HARDWARE PACKAGE (FOR IT# 283): NOTE: HARDWARE PKG CONTAINS ITEMS 284,285,291-297 & 299.
320	1	-	06DR660014	CYLINDER HEAD COOLING PKG: INCLUDES: ITEMS 321-332
321	1	-	HC27GB230	> MOTOR 1/20 H P,208/230-1-60
322	1	-	LA01AA102	> FAN REPLACEMENT PKG: INCLUDES: ITEMS 323-325
323	1	-	P251-0064	> FAN AM
324	1	-	AE54FR167	> BUSHING
325	1	-	AE54FR167	> SET SCREW
326	1	-	06DA401773	> FAN GUARD & MOTOR MTG ASSY
327	1	-	06DA401763	> COVER ASSY,FAN GUARD
328	1	-	HW680001	> ADAPTER,CONDUIT
329	8	-	AU02AB242	> WASHER,3/8 PLATE
330	4	-	AT39AB241	> NUT,3/8 HEX
331	1	-	NSS	> SCREWS
332	1	-	NSS	> CONDUIT: NOTE: CARRIER DOES NOT HAVE A 460V CYL HEAD COOLING PKG.IT IS AVAILABLE FROM TJERNLUND IN WHITE BEAR LAKE MINN TEL 612426-2993. ALSO NOTE THAT CYL HEAD COOLING IS NOT USED ON 2 CYL COMPRESSORS.