

87% Efficient!

Burnham®

MPO-IQ™



Oil Fired, Chimney Vented, Cast Iron Water Boiler

- 87% AFUE, ENERGY STAR® certified
- 3-pass cast iron sectional design
- Easy, intelligent IQ Control System™
- Outdoor reset available – increases efficiency by 15-20%
- Honeywell digital oil primary control on both Beckett and Carlin EZ-Pro.
- Five sizes available, 0.60-1.65 GPH
- Direct vent option kit available in three sizes (1.05-1.65 GPH)
- Easy installation and servicing; Reversible swing away burner door, no target wall/blanket, removable rear plates provide direct access to flue passages
- Lifetime limited warranty



IQ control system

- Consists of the Intelligent Oil Boiler Control and IQ Option Panel



Intelligent Oil Boiler Control

- Provides fast and easy “out of the box” installation
- Simple codes convey boiler status and eliminate guesswork
- Two customizable integrated switching relays for easy integration of additional heating zone or indirect water heater



IQ Option Panel

- Enables the easy plug & play installation of optional features such as outdoor reset, LWCO, and high limit



Optional Touchscreen

- LCD displays all boiler settings, diagnostics, and troubleshooting in sentences, not codes



Honeywell digital oil primary is available on Beckett and Carlin EZ-Pro burners

Burnham®

by

U.S. Boiler Company



MPO-IQ: Technical Information



Standard Equipment

- Precision cast and machined sections
- Return mixing manifold
- Stylish, countoured, powder coated steel jacket
- Molded plastic control cover
- Insulated jacket (3")
- Reversible cast iron swing-away burner door
- Vacuum-formed burner door insulation
- Insulated, removable clean-out ports
- Integrated lifting legs
- Mounted and wired controls

- 30# relief valve
- Barometric draft regulator
- Boiler drain valve
- Circulator

IQ Oil Boiler Control

- 3-digit LED readout displays boiler status, settings, and error codes for easy set-up and troubleshooting
- Adjustable high limit and differential
- 120V input for indirect water heater or 2nd heating zone

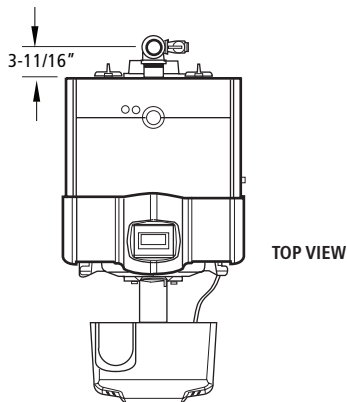
- 120V output for indirect or second zone circulator
- Selectable, adjustable circulator pre-purge & post-purge
- Displays diagnostic and status info from primary control*
- Concealed Junction Box in Rear of Boiler
- Accepts plug & play IQ Option Cards for simple installation of Outdoor Reset, Low Water Cutoff, & Aux. High Limit
- 3-digit display for option card settings, status and diagnostics.

*when equipped with Carlin or Beckett burner



MPO-IQ Ratings & Specifications

Model	AFUE%	Burner Cap. (GPH)	DOE Heating Cap. (MBH)	Net AHRI Water Rating (MBH)	Flue Collar (In.)	Min. Chimney Diameter (In.)	Water Content (Gal.)	Approx. Shipping Weight. (lbs.)	(DV) Approx. Shipping Weight (lbs.)
MPO-IQ84	87	0.60	74	64	5	6	7.70	475	N/A
MPO-IQ115	87	0.80	101	88	5	6	7.70	475	N/A
MPO-IQ147	87	1.05	129	112	6	6	11.08	525	579
MPO-IQ189	87	1.35	167	145	6	7	14.46	660	692
MPO-IQ231	87	1.65	203	177	7	7	17.84	776	807



Dimensions (Inches)

Model	'A'	'B'	'C'
MPO-IQ84	16-5/8	24	5
MPO-IQ115	16-5/8	24	5
MPO-IQ147	22-5/8	24	6
MPO-IQ189	28-5/8	30	6
MPO-IQ231	34-5/8	30	7

Direct Vent Kit Dimensions (Inches)

Model	Vent Connector Diameter	Optional Starter "T" Depth 'D'
MPO-IQ147	5	14
MPO-IQ189	5	14
MPO-IQ231	6	14.5

