



325 COMMERCE DRIVE
 MT VERNON, OH 43050
 800-253-8236

SPECIFICATION DATA SHEET

DATE: 8-1-11
 PREPARED BY: RL

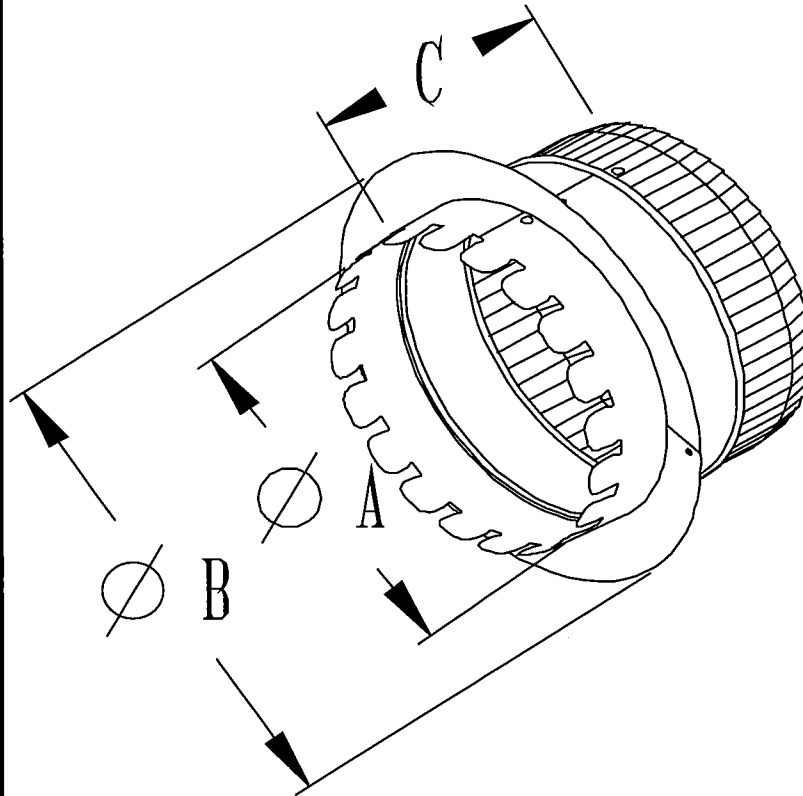
MODEL NO. 014

STARTING COLLAR - 1" DUCTBOARD

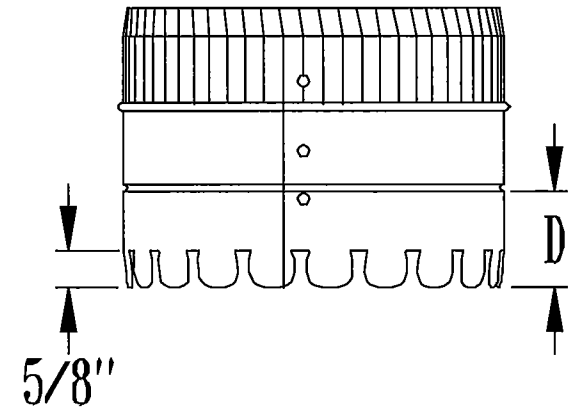
STANDARD MODEL

DIMENSIONS

SIZE	A	B	C	D
4"	4"	6"	5" or 6 1/4"	1 5/8"
5"	5"	7"	5" or 6 1/4"	1 5/8"
6"	6"	8"	5" or 6 1/4"	1 5/8"
7"	7"	9"	5" or 6 1/4"	1 5/8"
8"	8"	10"	5" or 6 1/4"	1 5/8"
9"	9"	11"	5" or 6 1/4"	1 5/8"
10"	10"	12"	5" or 6 1/4"	1 5/8"
12"	12"	14"	5" or 6 1/4"	1 5/8"
14"	14"	16"	5" or 6 1/4"	1 5/8"
16"	16"	18"	5" or 6 1/4"	1 5/8"
18"	18"	20"	5" or 6 1/4"	1 5/8"
20"	20"	22"	5" or 6 1/4"	1 5/8"



Bead Position for Ring



MATERIAL SPECIFICATIONS

HOT DIPPED GALVANIZED STEEL.
 PER ASTM A 653 CSB.

4"-8" STD GA
 9"-20" 28GA

OTHER GAUGES AVAILABLE.

ASSEMBLED WITH 1/8" ZINC COATED RIVETS.

OPTIONS

- Available in 5" or 6 1/4" long.
- Available for 1 1/2" DB & 2" DB.
- Available with 1 1/4" tabs.
- Available crimped or not crimped.

JOB: _____
 LOCATION: _____
 CONTRACTOR: _____
 ENGINEER: _____
 NOTES: _____