

# EV200 STANDARD



## INDOOR UNIT



## SPECIFICATIONS

**Ventilation Type:**  
Static plate, heat and humidity transfer

**Typical Airflow Range:** 100-200 CFM

**Standard Features:**  
Painted cabinet  
Line-cord power supply  
Low-voltage circuit for controls  
Unit may be mounted in any orientation

**Controls:**  
On board 24 VAC transformer/relay package with switched dry contacts

**Filters:**  
Total qty. 2, MERV 8, spun-polyester media:  
10 1/2" x 21 3/4" x 1"

**Unit Dimensions & Weight:**  
33 1/2" L x 24" W x 20" H  
68 lbs.

**Max. Shipping Dimensions & Weight (on pallet):**  
34" L x 44" W x 34" H  
110 lbs.

**Motor(s):**  
Qty. 1, Double-shaft standard motor

**Accessories:**  
Backdraft damper 8"  
Wall cap 8" - taupe plastic, galvanized, paintable galvanneal  
Louver with 8" round duct connection - 12" (W) x 8" (H)  
Percentage timer control (PTL)  
Push-button point-of-use controls (PBL), PTL req'd.  
Percentage timer control with furnace interlock (FM)  
Electric duct heater - EK series (1-60 kW)

## ELECTRICAL DATA

HP	Volts	HZ	Phase	Input Watts	FLA
0.1	120	60	Single	157 @ 181 CFM	1.5

## UNIT PERFORMANCE

Airflow CFM	ESP in H <sub>2</sub> O
122	0.70
149	0.60
168	0.50
176	0.40
186	0.30
192	0.20
207	0.10

## CORE PERFORMANCE

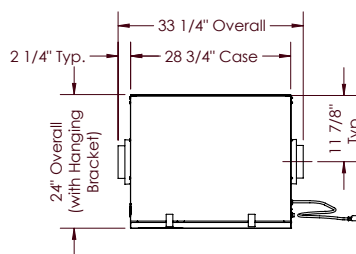
Temp EFF%	Total EFF% Winter/Summer*
81	77/64
79	75/61
78	73/59
78	72/59
77	72/58
77	71/57
76	70/56

\* See HVI certification ratings on page 135 of RenewAire's Full Line Volume XVI Catalog.

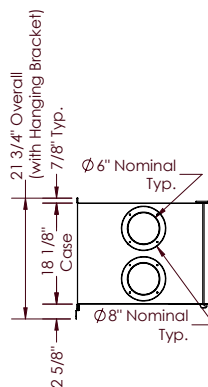
## UNIT DIMENSIONS

**AIRFLOW CONFIGURATION**  
Available as shown in dimension drawing.

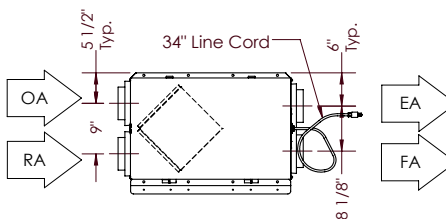
**UNIT MOUNTING & APPLICATION**  
Can be mounted in any orientation. RA/EA airstream can be switched with OA/FA airstream.



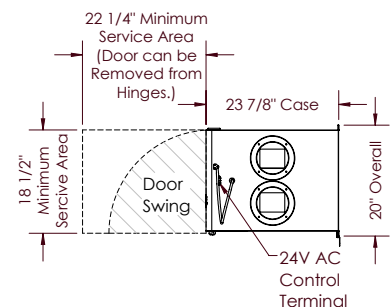
TOP VIEW



LEFT VIEW



FRONT VIEW



RIGHT VIEW

**ABBREVIATIONS**  
EA: Exhaust Air to outside  
OA: Outside Air intake  
RA: Room Air to be exhausted  
FA: Fresh Air to inside

**INSTALLATION ORIENTATION**  
Unit may be installed in any orientation.

**NOTE**  
1. UNLESS OTHERWISE SPECIFIED, DIMENSIONS ARE ROUNDED TO THE NEAREST EIGHTH OF AN INCH.  
2. SPECIFICATIONS MAY BE SUBJECT TO CHANGE WITHOUT NOTICE.

Specifications may be subject to change without notice.