



325 COMMERCE DRIVE  
 MT VERNON, OH 43050  
 800-253-8236

## SPECIFICATION DATA SHEET

DATE: 5-6-11  
 PREPARED BY: EB

# MODEL NO. 019 ROUND VOLUME DAMPER

STANDARD MODEL

### DIMENSIONS

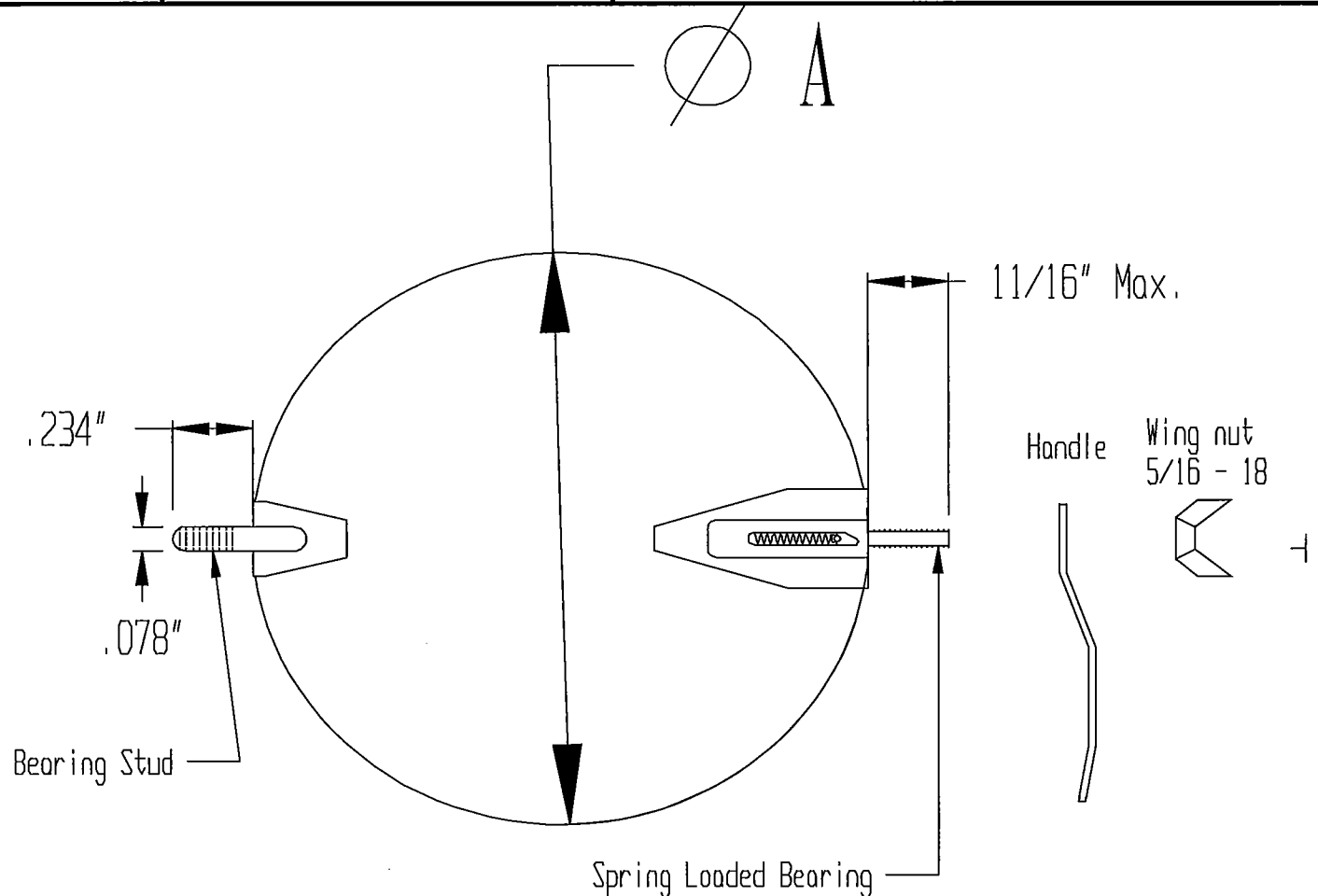
SIZE	A	GAUGES AVAILABLE
4"	3 3/4"	28, 26
5"	4 3/4"	28, 26
6"	5 3/4"	28, 26, 24
7"	6 3/4"	28, 26, 24
8"	7 3/4"	28, 26, 24
9"	8 3/4"	26, 24
10"	9 3/4"	26, 24
12"	11 3/4"	26, 24
14"	13 3/4"	24
16"	15 3/4"	24
18"	17 3/4"	24

### MATERIAL SPECIFICATIONS

DISC IS HOT DIPPED GALVANIZED STEEL.  
 PER ASTM A 653 CSB.

### OPTIONS

CAN BE ORDERED ASSEMBLED OR UNASSEMBLED.



HANDLE AND WING NUT NOT ATTACHED UNLESS SPECIFIED AS "ASSEMBLED".

JOB: \_\_\_\_\_  
 LOCATION: \_\_\_\_\_  
 CONTRACTOR: \_\_\_\_\_  
 ENGINEER: \_\_\_\_\_  
 NOTES: \_\_\_\_\_