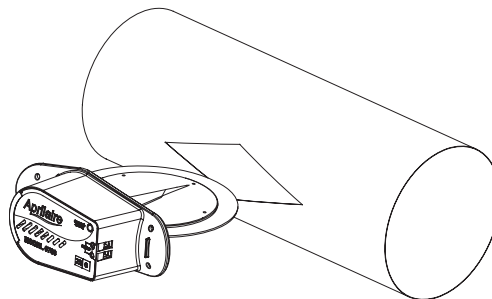


Aprilaire has broken open the service and replacement revenue stream for Zoned Comfort Control with the first-ever, spring-return damper designed to be inserted in a 6" round branch duct.

Virtually every home without zoning has comfort problems. It is now affordable to zone these homes without costly, and sometimes impossible, duct modification.

By offering this simple solution, you provide your customers with true comfort, throughout their home, better than operating constant fan or manually adjusting registers. And you assure your quality reputation with enhanced customer satisfaction through increased comfort and reliable, maintenance-free operation.



MODEL 6706 - DAMPER SPECIFICATIONS

DUCT SIZE	6" round
OVERALL SIZE	3.3"(H)x8.0"(W)x8.3"(D)
WEIGHT	1 lb
POWER REQUIREMENT	10 VA @ 24 VAC
RESISTANCE	0.008" W.C. @ 700 fpm

CONSUMER BENEFITS

COMFORT:

- The temperature where they want it when they want it

CONVENIENCE:

- System is completely automatic.
Add programmable thermostats or step up to the Aprilaire Intelligent Zoned Comfort System for the ultimate convenience and control.

ENERGY SAVINGS:

- It makes sense; don't waste energy conditioning the whole home, only condition areas that need it. "Would you have a single light switch?"

CONTRACTOR BENEFITS

PROFITABLE:

- You can now provide an economical solution to your customers comfort needs

EASY INSTALLATION:

- Simply cut a slot, insert the damper and screw or strap the damper to the duct

INSTALLER FRIENDLY:

- High-resolution LED on the damper lights when closed, simplifying check-out and troubleshooting

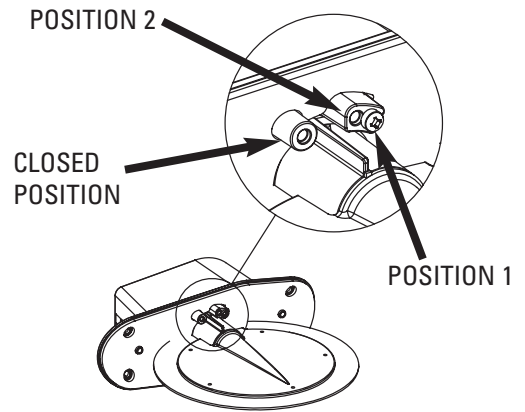
RELIABLE:

- "No gears" technology assures long life

FAIL SAFE:

- Spring-open operation assures airflow and minimizes after-hour calls

6706 BYPASS AIRFLOW (CFM)	
ADJUSTABLE STOP POSITION	SUPPLY SIDE PRESSURE (" W.C.)
	0.2
POSITION 1 (CONTROLLED PRESSURE RELIEF)	25 CFM
POSITION 2	10 CFM
CLOSED	5 CFM

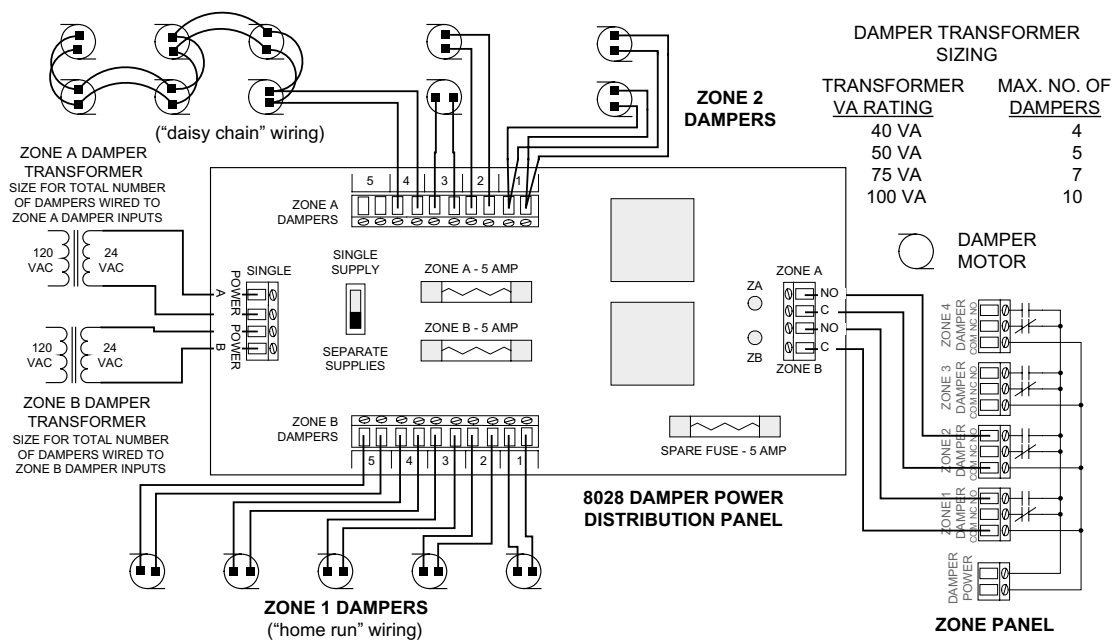


Model 8028 Power Distribution Panel

- Simplifies installation when the number of dampers exceeds the fuse rating of the zone panel
- Makes troubleshooting easier
- Gives a professional and clean appearance to your installation



MODEL 8028 - POWER DISTRIBUTION PANEL SPECIFICATIONS	
MAX. DAMPER POWER INPUT PER ZONE	100 VA @ 24 VAC
DAMPER FUSE SIZE	5 A fast acting (spare supplied)
CONTROL INPUT CURRENT DRAW (ZONE A & B)	50 mA @ 24 VAC
MAX. NO. OF APRILAIRE DAMPERS PER ZONE	10
MAX. WIRE SIZE	18 AWG
APPLICATION TEMPERATURE / RH	140°F / 90% RH (non-condensing)



RESEARCH PRODUCTS RESERVES THE RIGHT TO CHANGE SPECIFICATIONS WITHOUT NOTICE.