



325 COMMERCE DRIVE
 MT VERNON, OH 43050
 800-253-8236

SPECIFICATION DATA SHEET

DATE: 10-15-13 PAGE 1
 PREPARED BY: RL

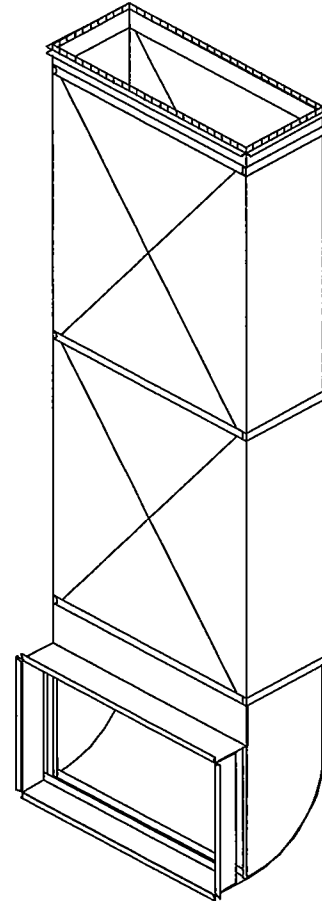
MODEL NO. 712 COLD AIR DROP KIT - SIDE LOAD

STANDARD MODEL

DIMENSIONS

SIZE		DUCT SIDE	FILTER SIZE
PLENUM SIDE	DUCT SIDE		
16" x 25"	25" x 10"		16X25X1

Cold Air Drop Kit Includes:



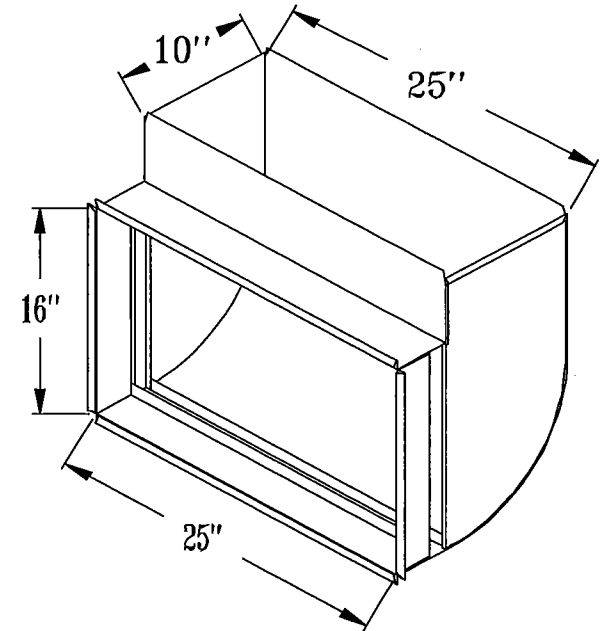
(x1) 25x10 Duct Starting Collar
 (See page 2)

(x2) 10x25x32 Duct
 (See page 3)

(x6) 10" Double End
 Drive Cleats
 (See page 4)

(x6) 25" S-Cleats
 (See page 5)

(x1) 16x25-25x10 Cold Air Boot w/Rack
 (See page 6)



MATERIAL SPECIFICATIONS

HOT DIPPED GALVANIZED STEEL.
 PER ASTM A 653 CSB.

OPTIONS

JOB: _____
 LOCATION: _____
 CONTRACTOR: _____
 ENGINEER: _____
 NOTES: _____



325 COMMERCE DRIVE
MT VERNON, OH 43050
800-253-8236

SPECIFICATION DATA SHEET

DATE: 10-15-13
PREPARED BY: RL
PAGE 2

MODEL NO. 007

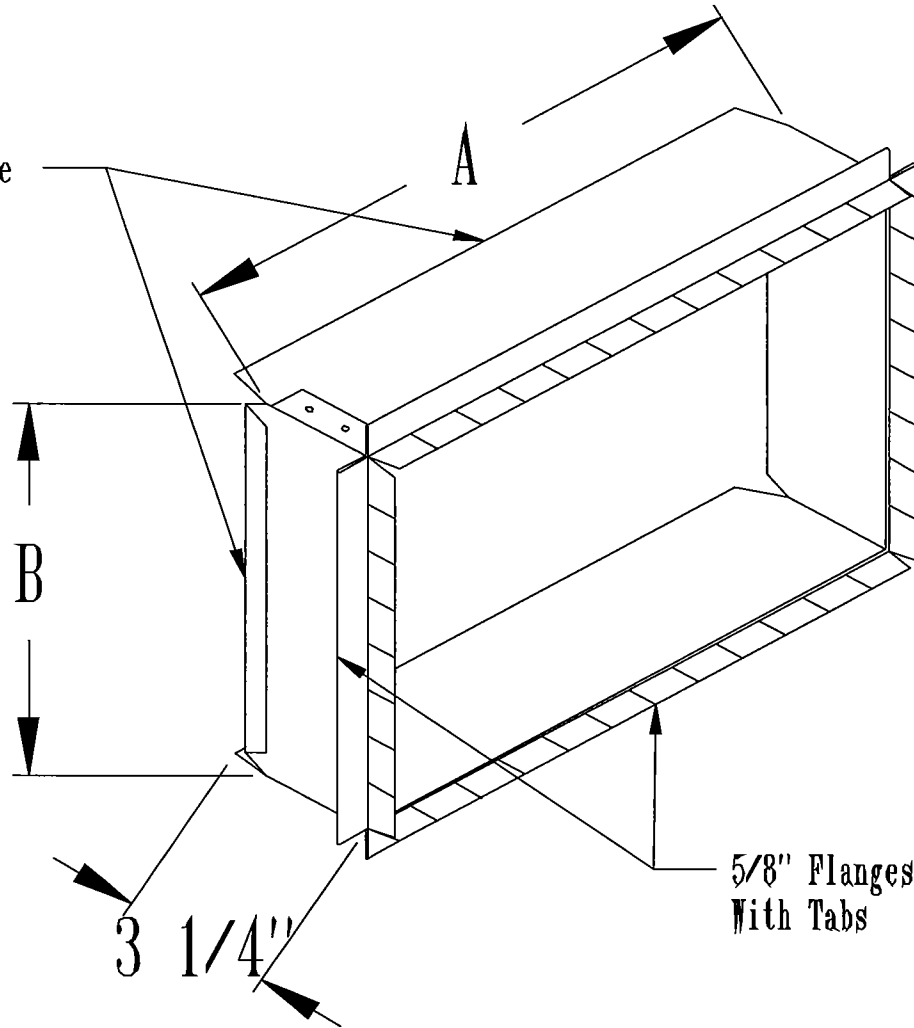
Duct Start Collar - No Rise

STANDARD MODEL - FOR 712 DROP KIT

DIMENSIONS

SIZE	A	B
25X10	25"	10"

Slip & Drive
Flanges



MATERIAL SPECIFICATIONS

HOT DIPPED GALVANIZED STEEL.
PER ASTM A 653 CSB.

26 GAUGE CONSTRUCTION

OPTIONS

JOB: _____
LOCATION: _____
CONTRACTOR: _____
ENGINEER: _____
NOTES: _____



325 COMMERCE DRIVE
MT VERNON, OH 43050
800-253-8236

SPECIFICATION DATA SHEET

DATE: 10-15-13 PAGE: 3
PREPARED BY: RL

MODEL NO. 153

DUCT

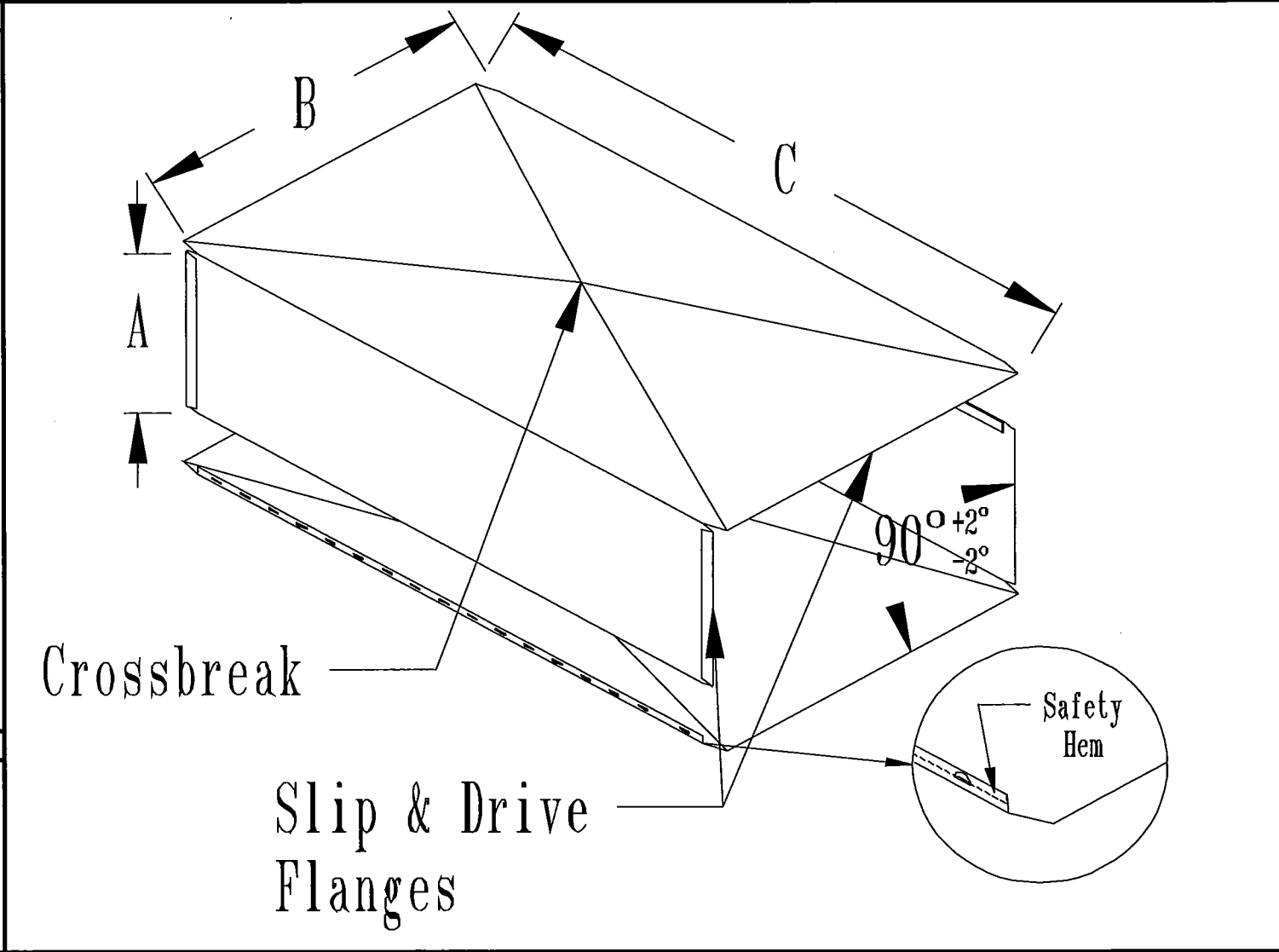
STANDARD MODEL - FOR 712 DROP KIT

SIZE			GAUGE
A	x B	x C	
10"	x 25"	x 32"	26

MATERIAL SPECIFICATIONS

HOT DIPPED GALVANIZED STEEL.
PER ASTM A 653 CSB.

OPTIONS



JOB: _____
LOCATION: _____
CONTRACTOR: _____
ENGINEER: _____
NOTES: _____



325 COMMERCE DRIVE
MT VERNON, OH 43050
800-253-8236

SPECIFICATION DATA SHEET

DATE: 10-15-13 PAGE: 4
PREPARED BY: RL

MODEL NO. 700

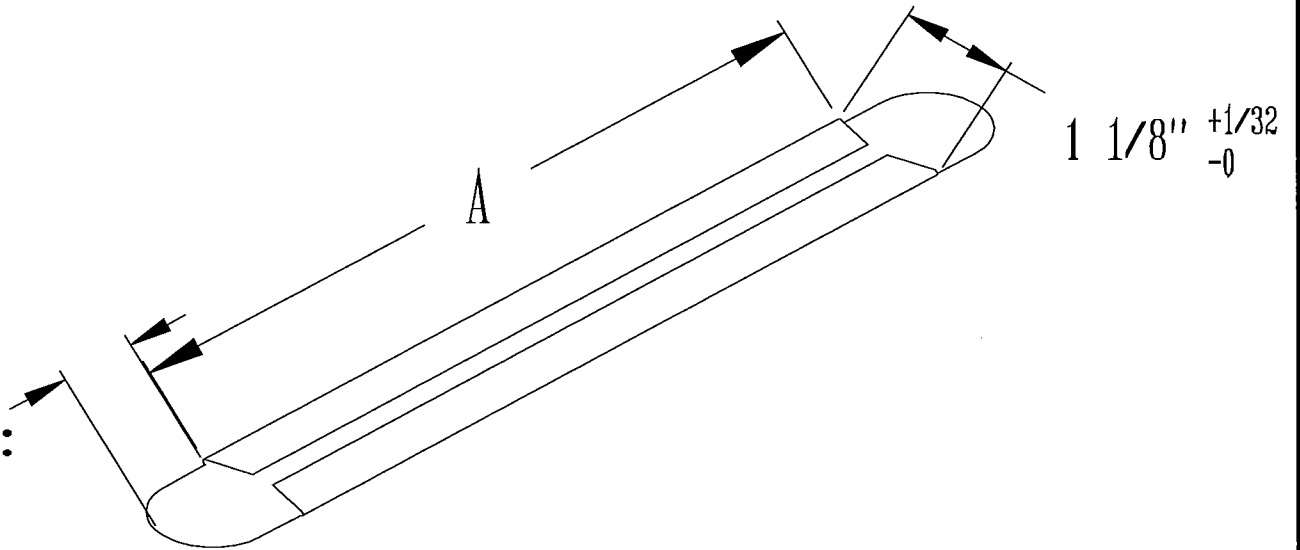
DOUBLE END DRIVE CLEAT

STANDARD MODEL - FOR 712 DROP KIT

DIMENSIONS

SIZE	A	Tol.
10"	10"	+/-1/32"

Tab Length:
7/8"



MATERIAL SPECIFICATIONS

HOT DIPPED GALVANIZED STEEL.
PER ASTM A 653 CSB.

28 GAUGE CONSTRUCTION

OPTIONS

JOB: _____
LOCATION: _____
CONTRACTOR: _____
ENGINEER: _____
NOTES: _____



325 COMMERCE DRIVE
MT VERNON, OH 43050
800-253-8236

SPECIFICATION DATA SHEET

DATE: 10-15-13 PAGE: 5
PREPARED BY: RL

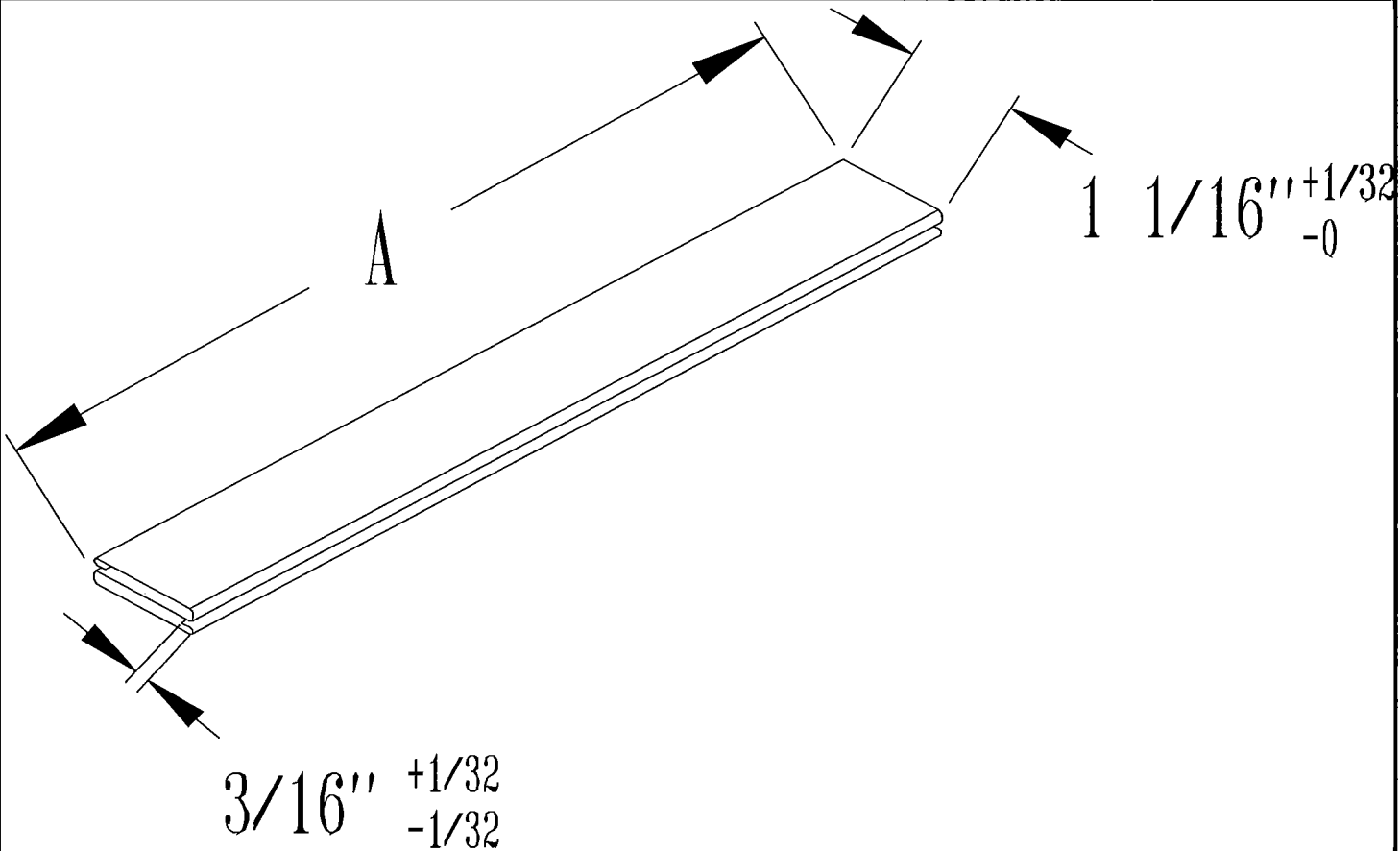
MODEL NO. 516

S CLEATS

STANDARD MODEL - FOR 712 DROP KIT

DIMENSIONS

SIZE A
25" 24 1/2"



MATERIAL SPECIFICATIONS

HOT DIPPED GALVANIZED STEEL.
PER ASTM A 653 CSB.

STD GAUGE CONSTRUCTION

OPTIONS

JOB: _____
LOCATION: _____
CONTRACTOR: _____
ENGINEER: _____
NOTES: _____



325 COMMERCE DRIVE
 MT VERNON, OH 43050
 800-253-8236

SPECIFICATION DATA SHEET

DATE: 10-15-13 PAGE: 6
 PREPARED BY: RL

MODEL NO. 076
COLD AIR BOOT - SIDE LOAD
 STANDARD MODEL - FOR 712 DROP KIT

DIMENSIONS

SIZE = A x B - C x D						FILTER SIZE		
PLENUM SIDE		DUCT SIDE		E	F	G	H	I
A	B	C	D					
16"	x 25"	25"	x 10"	6"	4"	17"	26"	16X25X1

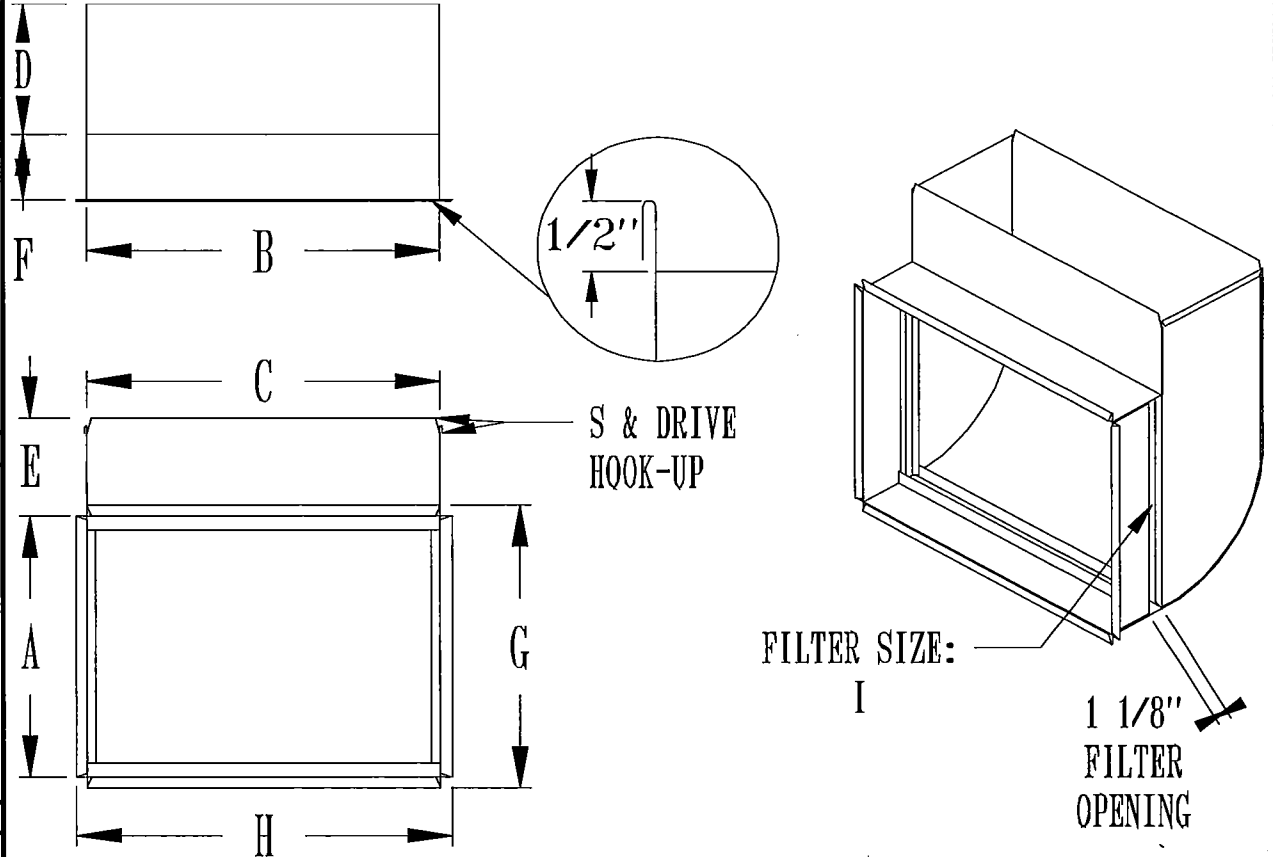
MATERIAL SPECIFICATIONS

HOT DIPPED GALVANIZED STEEL.
 PER ASTM A 653 CSB.

26 GAUGE CONSTRUCTION.

PITTSBURG LOCK ASSEMBLY

OPTIONS



JOB: _____
 LOCATION: _____
 CONTRACTOR: _____
 ENGINEER: _____
 NOTES: _____