



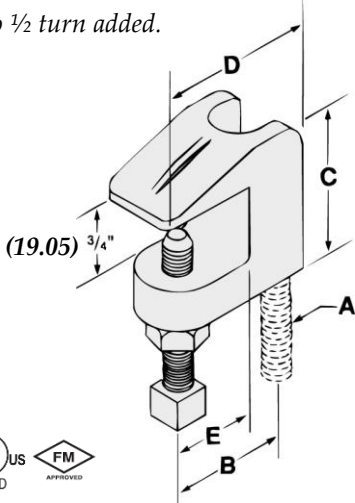
BEAM CLAMPS

Fig. 350
IMPORT BEAM CLAMP

Set Screw Torque			
Nominal Thread Size		3/8	1/2
Rec. Torque	in-lbs	60	125
	N-m	(6.8)	(14.1)

Caution should be taken not to over tighten the set screw

Note: When a torque wrench is unavailable, the setscrew should be tightened so it contacts the I-beam and then an additional 1/4 to 1/2 turn added.



FUNCTION: Designed for attaching hanger rod to the top flange of a beam or bar joist, where the flange thickness does not exceed 3/4 inch (19.05mm). The open U design permits rod adjustment.

APPROVALS: Underwriters' Laboratories Listed in the U.S. (UL), Canada (CUL), for sizes 1/2" to 7/8" malleable iron only. Factory Mutual Approved for rod size 1/2" malleable iron only. Complies with Federal Specifications A-A-1192A (Type 19) and Manufacturers' Standardization Society ANSI/SP-69 and SP-58 (Type 19). (Approvals are only valid for beam clamps with locknut).

MATERIAL: Malleable iron with hardened steel cup point set screw and locknut
FINISH: Plain or electro-galvanized
ORDERING: Specify rod size, finish and figure number.

Rod Size A	B	C	D	E	Max. Pipe Size	Max. Rec. Load		Wt. Each			
						lbs.	kN	lbs.	kg		
* 1/4	7/8	(22.23)	1 1/2 (38.10)	1 5/8 (41.28)	1/2 (12.70)	N/A	N/A	250	(1.11)	.34	(.15)
Δ 3/8	7/8	(22.23)	1 1/2 (38.10)	1 5/8 (41.28)	1/2 (12.70)	4 (100)		400	(1.78)	.33	(.15)
1/2	1	(25.40)	1 1/2 (38.10)	1 11/16 (42.86)	1/2 (12.70)	8 (200)		500	(2.22)	.34	(.15)
5/8	1 1/16	(26.99)	1 1/2 (38.10)	1 7/8 (47.63)	5/8 (15.88)	8 (200)		600	(2.67)	.39	(.18)
3/4	1 5/16	(33.34)	1 3/4 (44.45)	2 3/8 (60.33)	5/8 (15.88)	8 (200)		800	(3.56)	.63	(.29)
7/8	1 5/16	(33.34)	1 3/4 (44.45)	2 3/8 (60.33)	5/8 (15.88)	8 (200)		1200	(5.34)	.60	(.27)

* 1/4" Not UL or FM approved.
 Δ 3/8" Available in type 304 or 316 stainless steel only, not UL or FM approved. For non stainless steel 3/8" rod sizes, see Fig. 345 Steel Top Beam Clamp and Fig. 353 Malleable Domestic Beam Clamp.

1/4", 3/8", and 1/2" Available in stainless steel.
 To order, specify 304 or 316 and add suffix SS to figure number.
 Price on request.



Unless otherwise specified, all dimensions on drawings and in charts are in inches and dimensions shown in parentheses are in millimeters.