

Specification Submittal Data

Panasonic Radiation Damper for Non-Combustible Assemblies

Description:

Radiation damper shall be assembled with select ENERGY STAR® rated ventilation fans, fan/lights and fans with motion/condensation sensors. Damper shall be UL and cUL listed for T-bar, hanger rod/wire ceiling installation and exceed UL 555C for use in 3-hour fire rated floor/ceiling or roof/ceiling assemblies, Damper shall exceed National Fire Protection Agency NFPA-90A.

Features:

- UL 555C listed for use in a 1, 2 or 3 hour fire rated floor/ceiling and roof/ceiling designs.*
- 165 degree Fahrenheit fusible link.
- High-temperature, non-asbestos, reinforced fiber thermal fabric.
- Galvanized steel frame.
- Damper sleeve allows for fan/motor access for ongoing maintenance or framing/drywall/paint installation staging.

UL listed assembly with Panasonic ENERGY STAR® models:

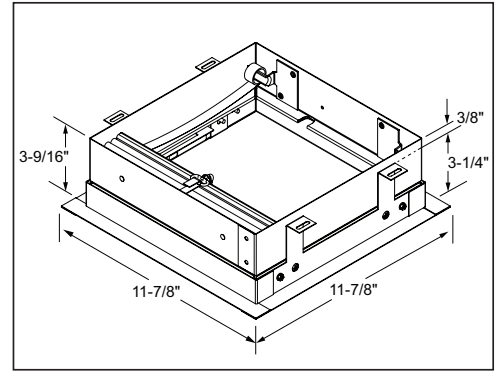
WhisperGreen® Select
VENTILATION FAN
FV-0511VK2, FV-0511VKL2, FV-0511VKS2, FV-0511VKSL2, FV-1115VK2, FV-1115VKL2.

WhisperCeiling® DC
VENTILATION FAN
FV-0511VQ1, FV-1115VQ1, FV-0511VQL1, FV-1115VQL1

WhisperSense® DC
VENTILATION FAN
FV-0511VQC1, FV-0511VQCL1

WhisperFit® DC
VENTILATION FAN
FV-0511VF1, FV-0511VFC1, FV-0511VFL1, FV-0511VFL1K

WhisperValue® DC
VENTILATION FAN
FV-0510VS1, FV-0810VSS1, FV-0510VSC1, FV-0510VSL1, FV-0810VSSL1, FV-0510VSSL1.



PC-RD05C5

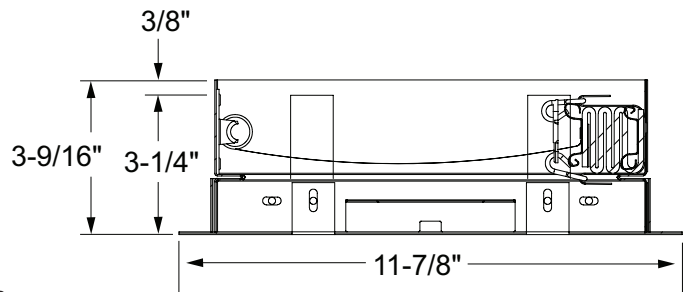
* UL and Warnock Hersey 555C classification for 1, 2 or 3 hour Non-Combustible Assemblies.



File #: 3225-1598-100



File #: WHI-495-PSH-0177, -0178



For complete Installation Instructions visit us.panasonic.com/ventfans

Model	Quantity	Comments	Project:
			Location:
			Architect:
			Engineer:
			Contractor:
			Submitted by:
			Date:

Panasonic Life Solutions Company of America
IAQ Division
Two Riverfront Plaza
Newark, NJ 07102
us.panasonic.com/ventfans