



325 COMMERCE DRIVE
 MT VERNON, OH 43050
 800-253-8236

SPECIFICATION DATA SHEET

DATE: 4-22-13
 PREPARED BY: RL

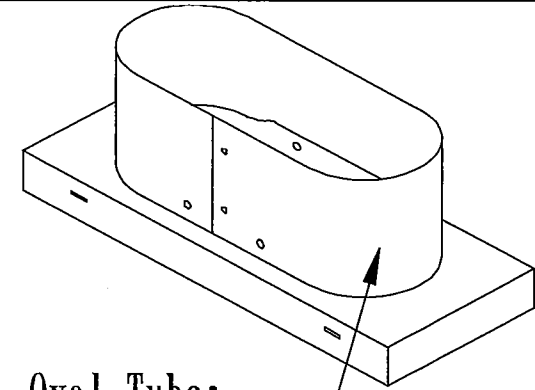
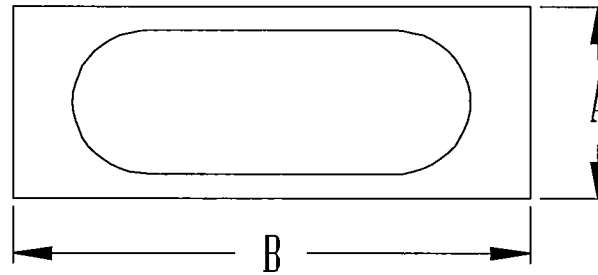
MODEL NO. 580

OVAL ADAPTER

STANDARD MODEL

DIMENSIONS

SIZE			
A	B	C	D
3 1/4" x	10" x	6"	7 5/8"
3 1/4" x	10" x	7"	9 1/4"
3 1/4" x	12" x	6"	7 5/8"
3 1/4" x	12" x	7"	9 1/4"
4" x	10" x	6"	7 5/8"
4" x	12" x	6"	7 5/8"
4" x	12" x	7"	9 1/4"



Oval Tube:
 *1.5" Radius

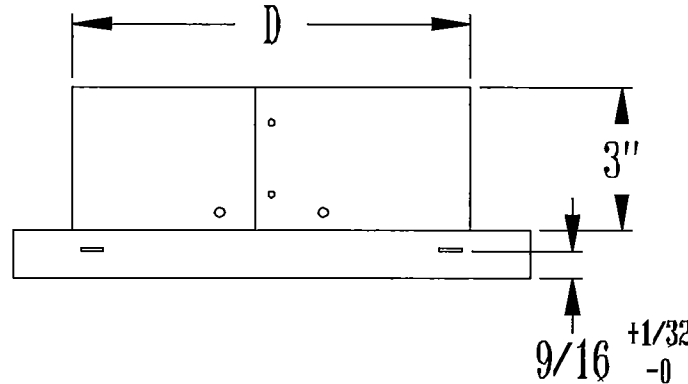
MATERIAL SPECIFICATIONS

HOT DIPPED GALVANIZED STEEL.
 PER ASTM A 653 CSB.

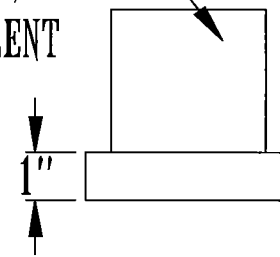
BODY: STD GAUGE CONSTRUCTION
 COLLAR: 5" - 8" = STD GAUGE

STD GAUGE CONSTRUCTION

ASSEMBLED WITH 1/8" ZINC COATED RIVETS.



C: OVAL SIZE
 EQUIVALENT



OPTIONS

JOB: _____
 LOCATION: _____
 CONTRACTOR: _____
 ENGINEER: _____
 NOTES: _____