



325 COMMERCE DRIVE
 MT VERNON, OH 43050
 800-253-8236

SPECIFICATION DATA SHEET

DATE: 4-1-12
 PREPARED BY: RL

**MODEL NO. 021
 TEE COVER W/ CRIMP**

STANDARD MODEL

DIMENSIONS

SIZE	A	B	Body Gauge	Collar Gauge
3"	3"	2 1/4"	28	STD
4"	4"	2 1/4"	28	STD
5"	5"	2 1/4"	28	STD
6"	6"	2 1/4"	28	STD
7"	7"	2 1/4"	28	STD
8"	8"	2 1/4"	26	STD
9"	9"	2 1/4"	26	28
10"	10"	2 1/4"	26	28
12"	12"	2 1/4"	26	28
14"	14"	2 1/4"	26	28
16"	16"	2 1/4"	24	28
18"	18"	2 1/4"	24	26
20"	20"	2 1/4"	24	26
22"	22"	2 1/4"	24	26
24"	24"	2 1/4"	24	26

MATERIAL SPECIFICATIONS

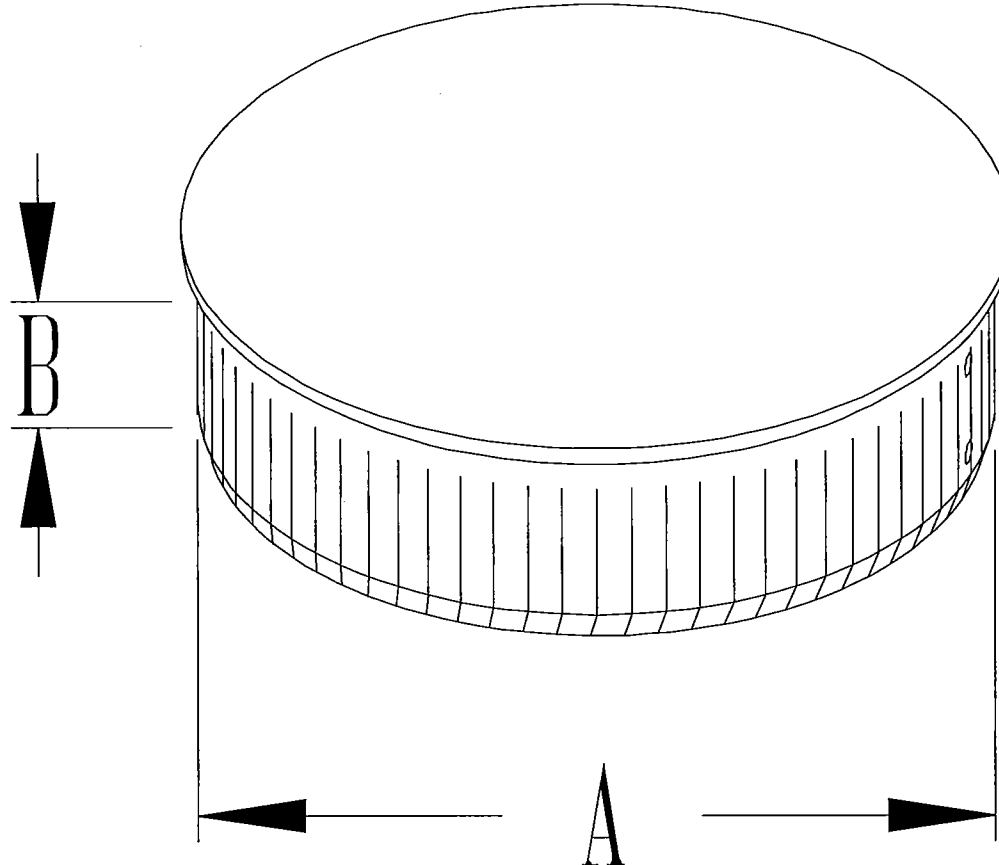
HOT DIPPED GALVANIZED STEEL.
 PER ASTM A 653 CSB.

ASSEMBLED WITH 1/8" ZINC COATED RIVETS.

OPTIONS

24 & 26 GAUGES AVAILABLE.

6", 7", & 8" AVIALABLE IN 24GA BLACK



JOB: _____
 LOCATION: _____
 CONTRACTOR: _____
 ENGINEER: _____
 NOTES: _____