

40VM Series Indoor Fan Coils VRF (Variable Refrigerant Flow) System 2" Filter Rack for 4-Way Cassette

Installation and Operating Instructions

Part Number 40VMF002----

CONTENTS

SAFETY CONSIDERATIONS	1
INSTALLATION	2
• ASSEMBLY OF THE FRAME	2
• INSTALLATION OF 2" FILTER RACK	4
STATIC PRESSURE SETTING	10
• UNIT CONNECTED TO CONTROLLER (NON-PROG)	10
• UNIT CONNECTED TO CONTROLLER (PROG)10	10

SAFETY CONSIDERATIONS

Improper installation, adjustment, alteration, service, maintenance, or use can cause explosion, fire, electrical shock, or other conditions which may cause death, personal injury or property damage. The qualified installer or agency must use factory-authorized kits or accessories when modifying this product.

Follow all safety codes. Wear safety glasses, protective clothing, and work gloves. Use quenching cloth for brazing operations. Have fire extinguisher available. Read these instructions thoroughly and follow all warnings or cautions included in literature and attached to the unit. Consult local building codes and the current editions of the National Electrical Code (NEC) ANSI/NFPA (American National Standards Institute/National Fire Protection Association) 70. In Canada, refer to the current editions of the Canadian Electrical Code CSA (Canadian Standards Association) C22.1.

Understand the signal words — DANGER, WARNING, and CAUTION. DANGER identifies the most serious hazards which will result in severe personal injury or death. WARNING signifies hazards that could result in personal injury or death. CAUTION is used to identify unsafe practices, which would result in minor personal injury or product and property damage.

Recognize safety information. This is the safety-alert symbol (⚠). When this symbol is displayed on the unit and in instructions or manuals, be alert to the potential for personal injury. Installing, starting up, and servicing equipment can be hazardous due to system pressure, electrical components, and equipment location.

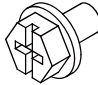
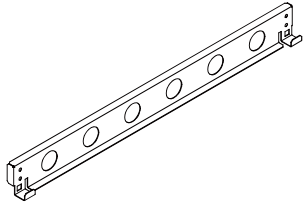
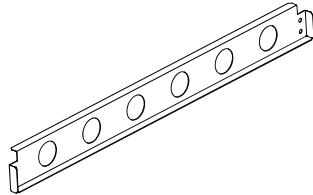
⚠ WARNING

Electrical shock can cause personal injury and death. Shut off all power to this equipment during installation. There may be more than one disconnect switch. Tag all disconnect locations to alert others not to restore power until work is completed.

⚠ WARNING

When installing the equipment in a small space, provide adequate measures to avoid refrigerant concentration exceeding safety limits due to refrigerant leak. In case of refrigerant leak during installation, ventilate the space immediately. Failure to follow this procedure may lead to personal injury.

Table 2 —Components Shipped with Unit

Name	Image	Quantity
Screw		12
Rack Assembly		2
Rack Assembly		2

INSTALLATION

Assembly of the Filter Frame

1

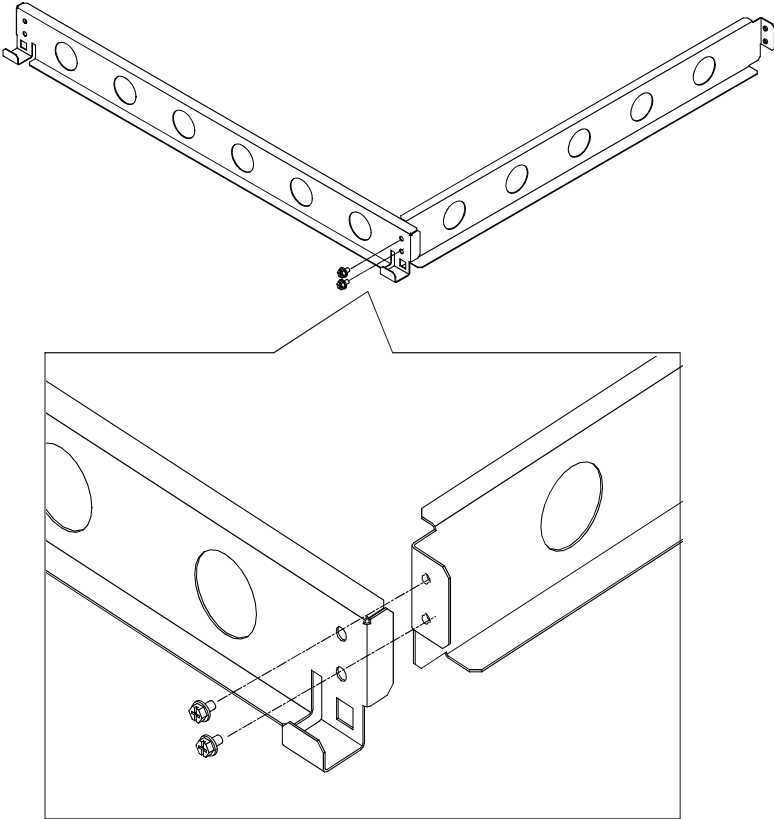


Fig. 1 —Install Filter Frame - Step 1

2

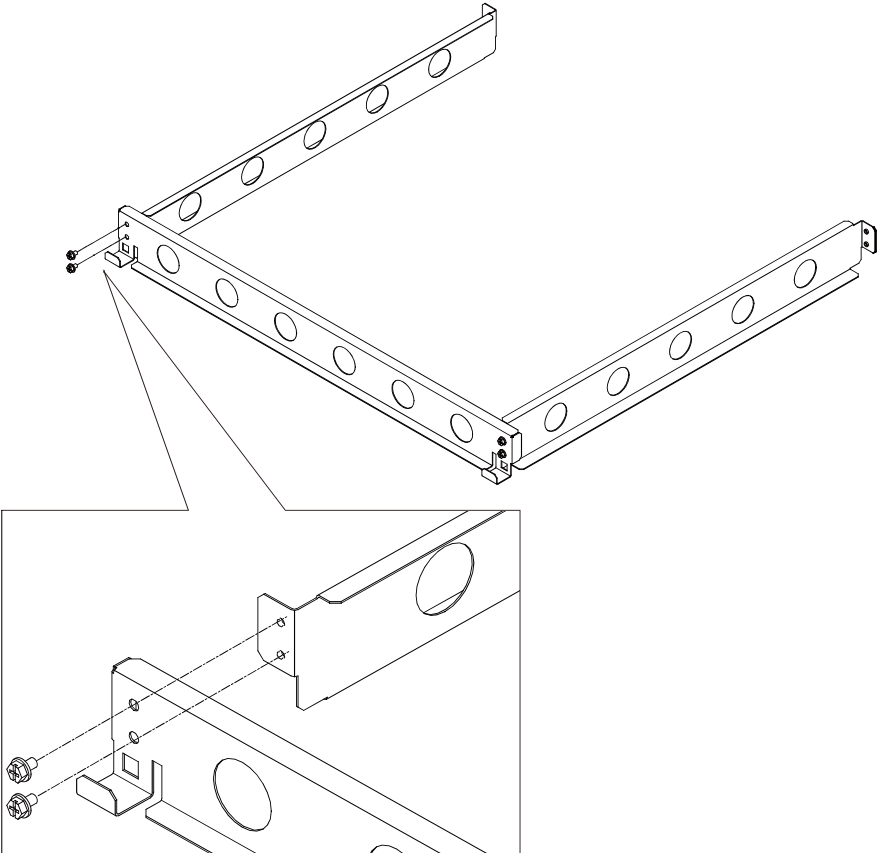


Fig. 2 —Install Filter Frame - Step 2

3

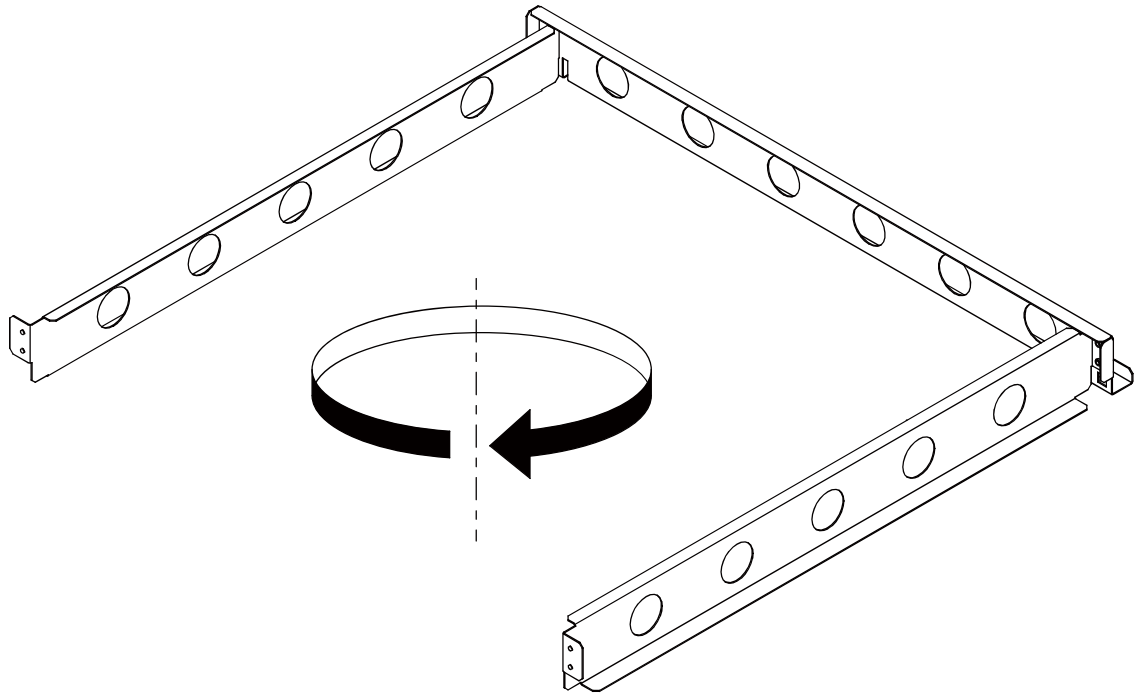


Fig. 3 —Install Filter Frame - Step 3

4

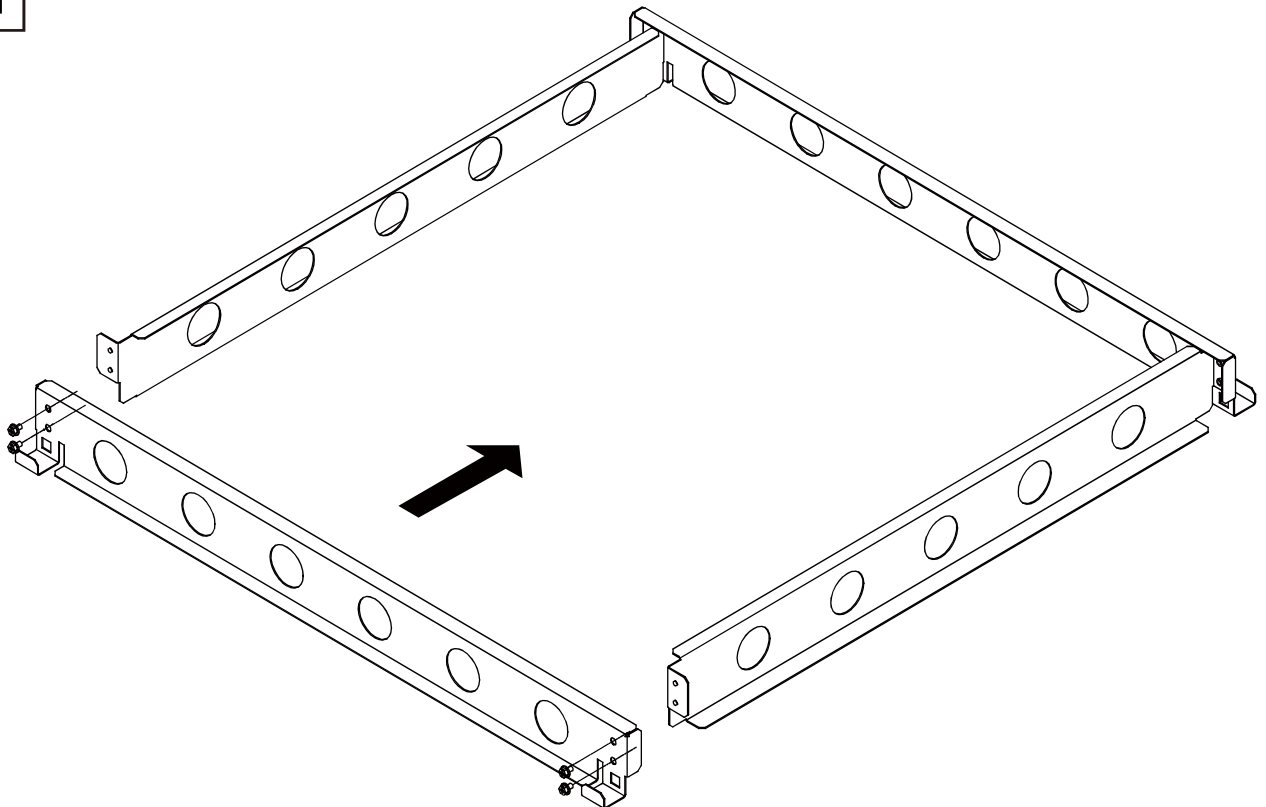


Fig. 4 —Install Filter Frame - Step 4

5

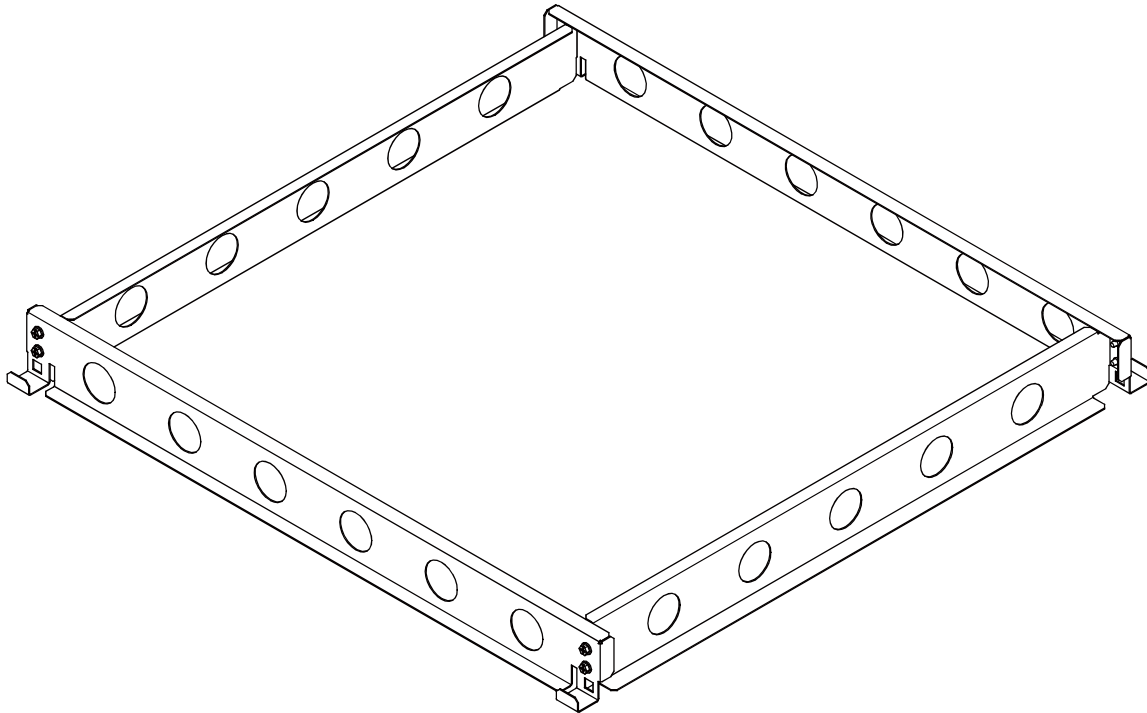


Fig. 5 —Install Filter Frame - Step 5

Installation of 2" Filter Rack —

1

2" Nominal Size Filter
(field supplied)

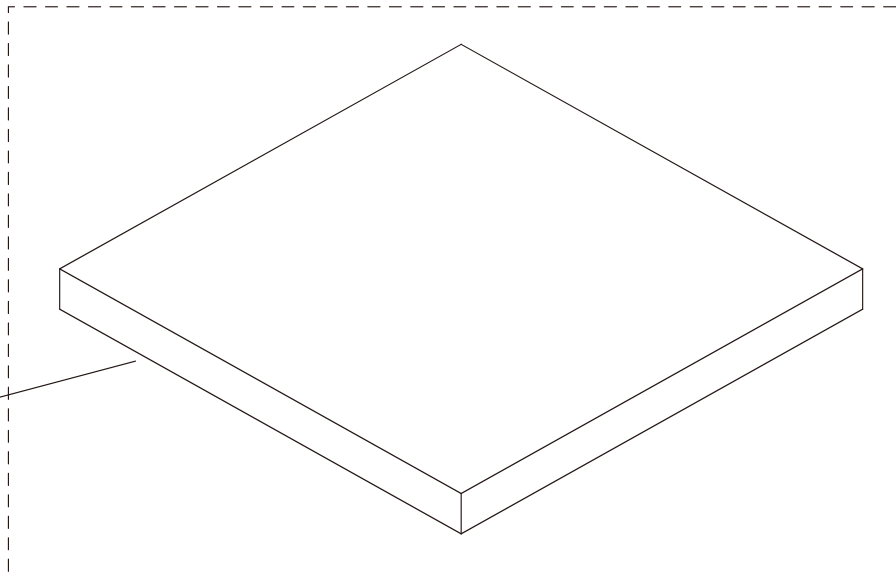


Fig. 6 —Install Filter Rack - Step 1

2

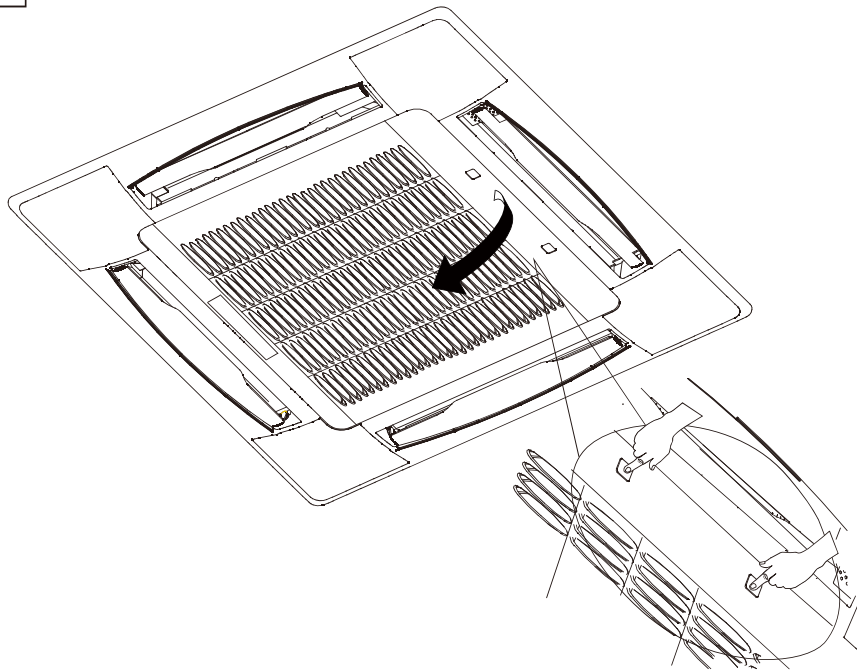


Fig. 7 —Install Filter Rack - Step 2

3

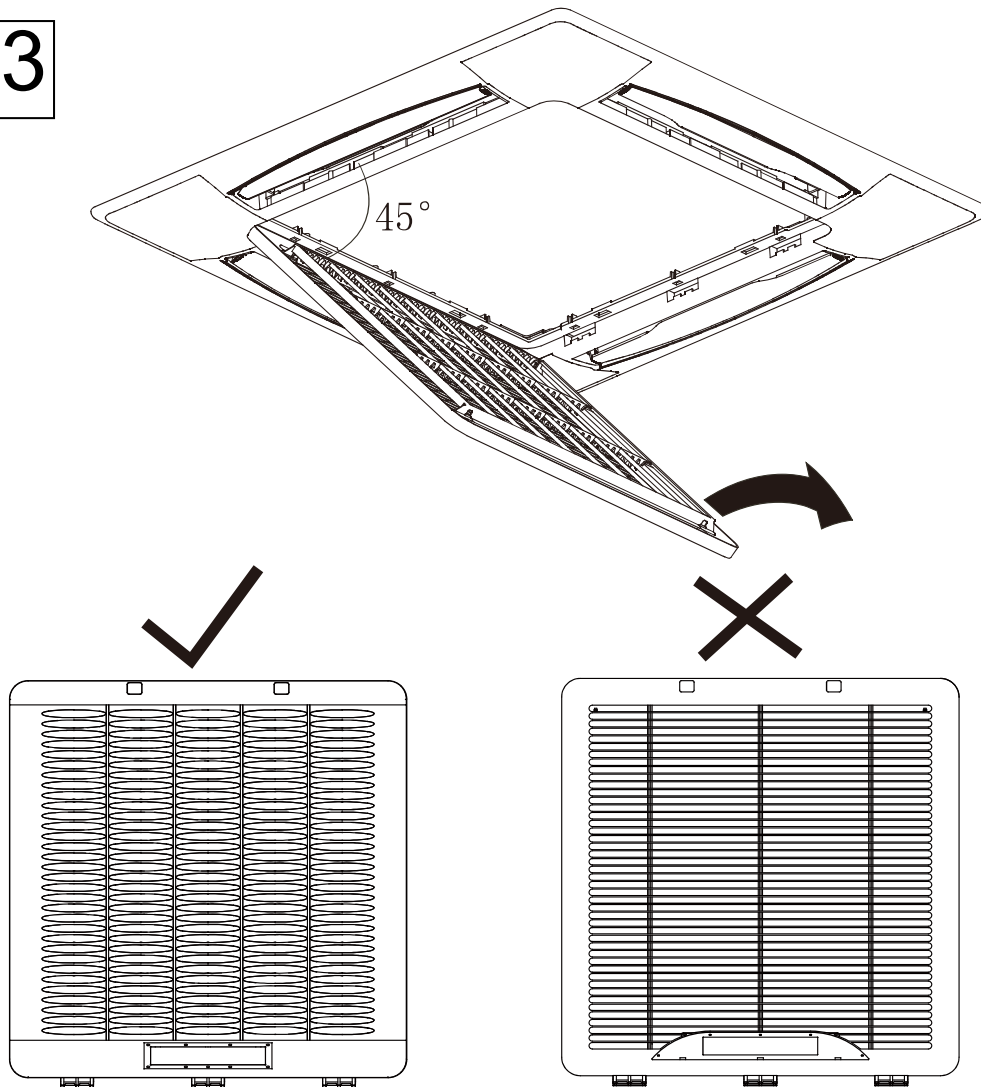


Fig. 8 —Install Filter Rack - Step 3

4

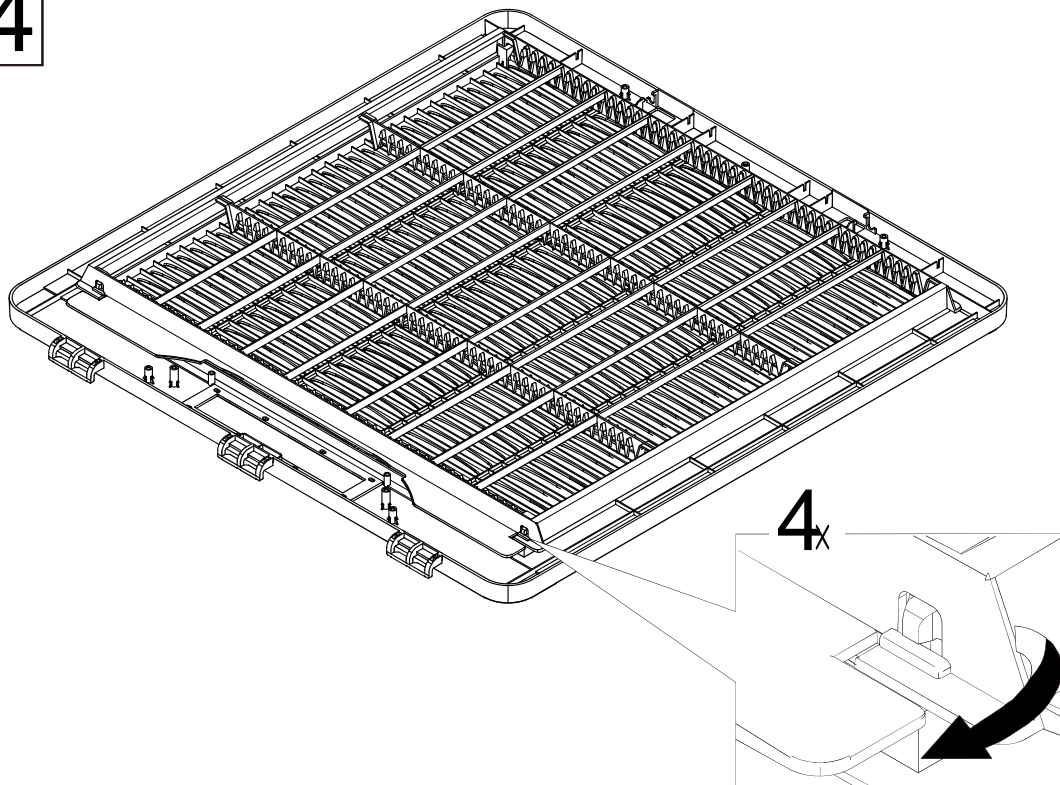


Fig. 9 —Install Filter Rack - Step 4

5

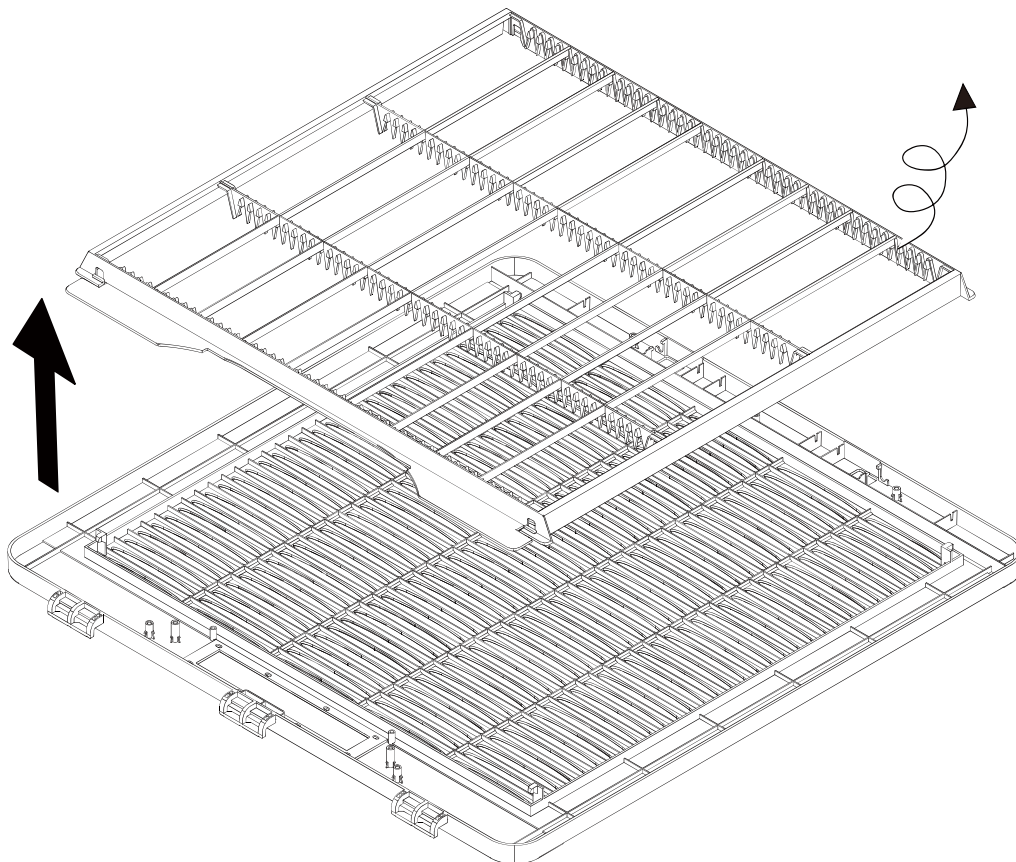


Fig. 10 —Install Filter Rack - Step 5

6

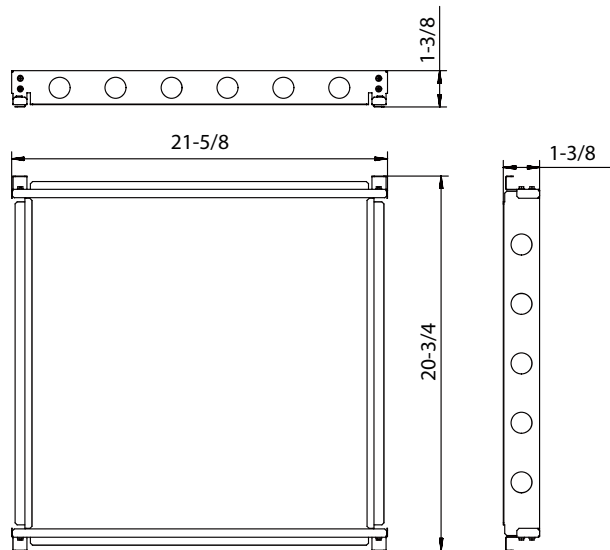
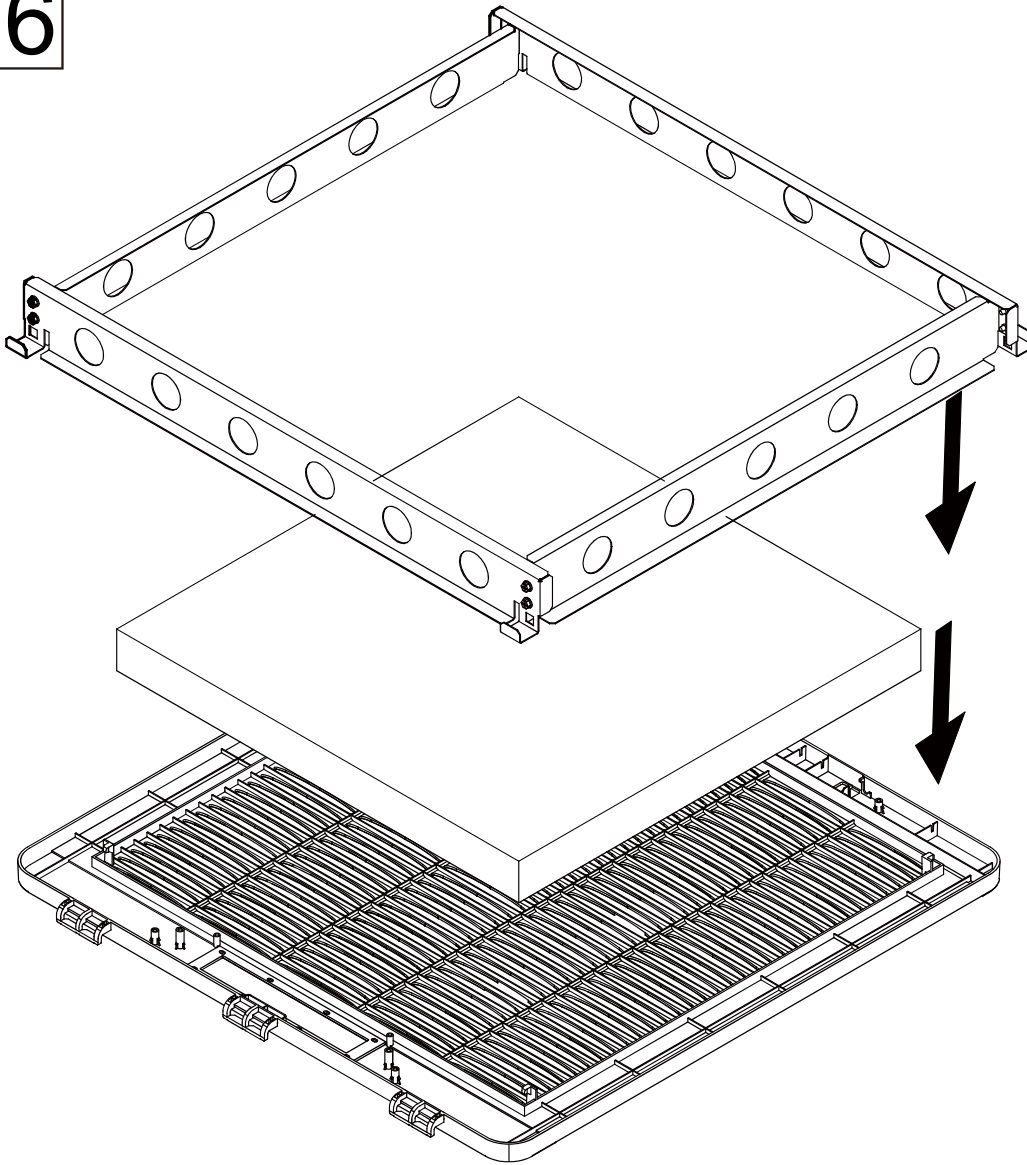


Fig. 11 —Install Filter Rack - Step 6

7

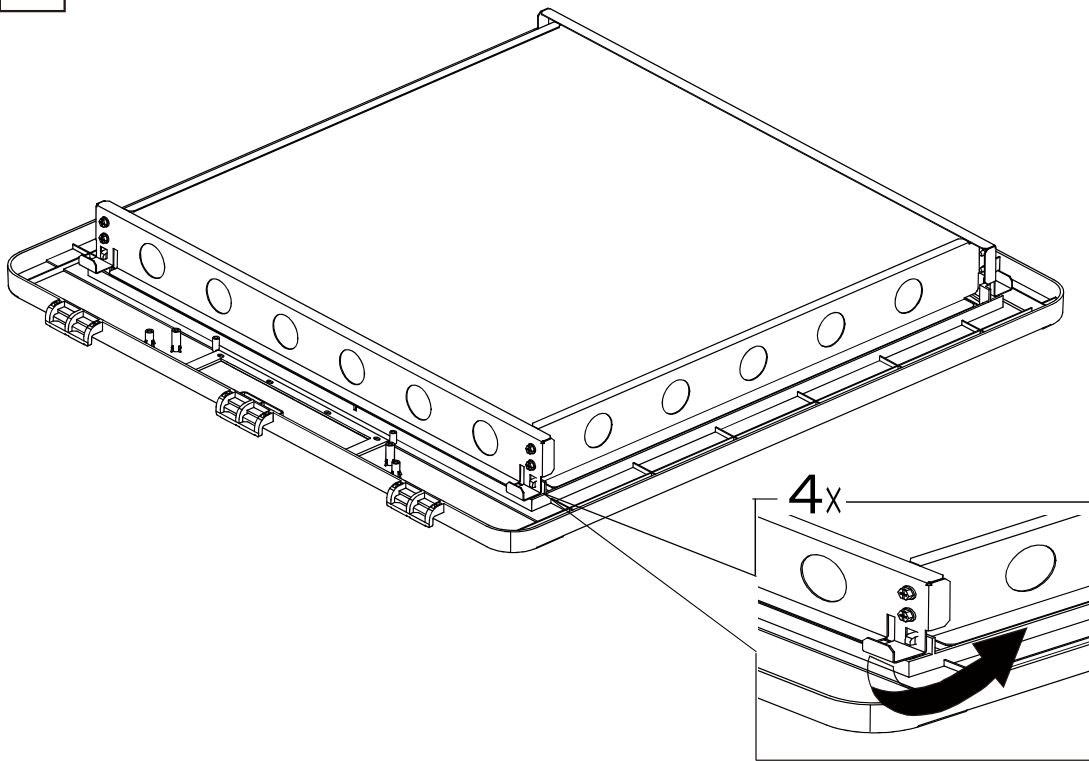


Fig. 12 —Install Filter Rack - Step 7

8

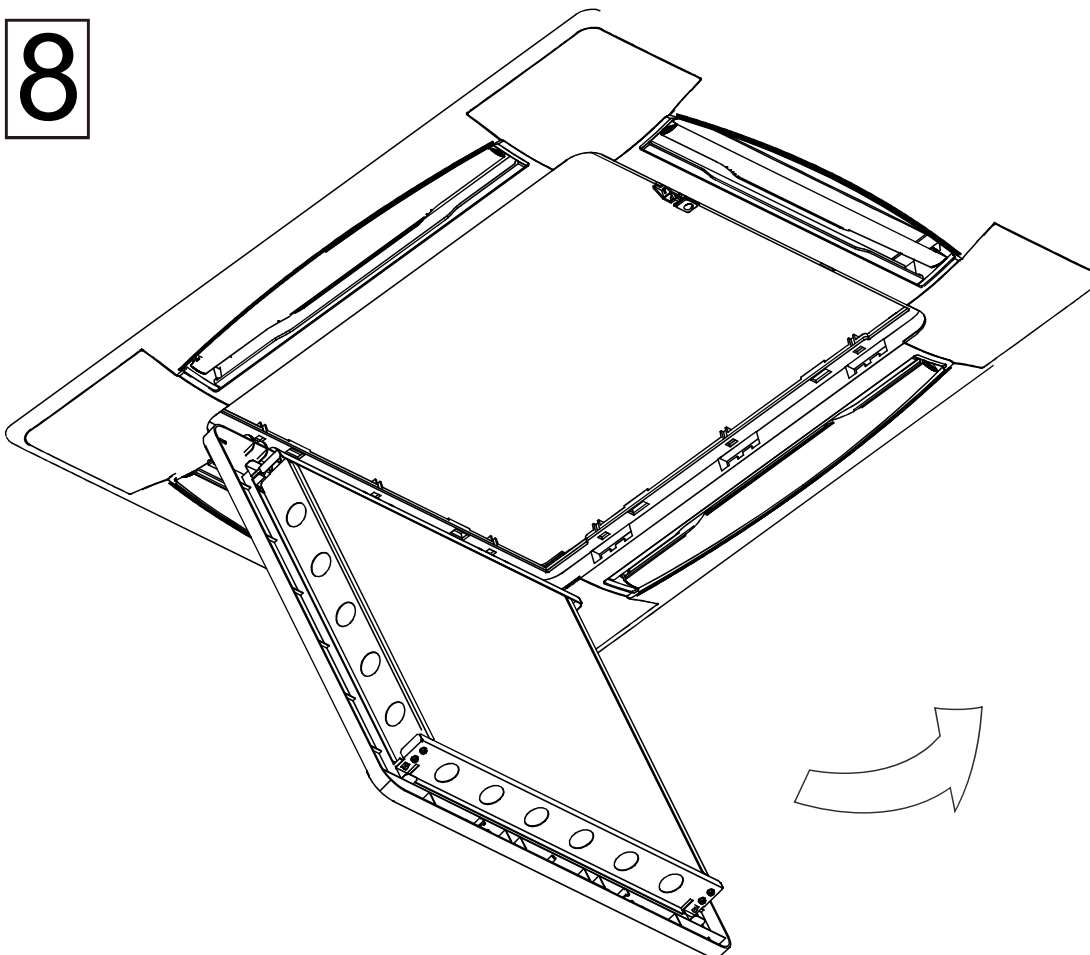


Fig. 13 —Install Filter Rack - Step 8

9

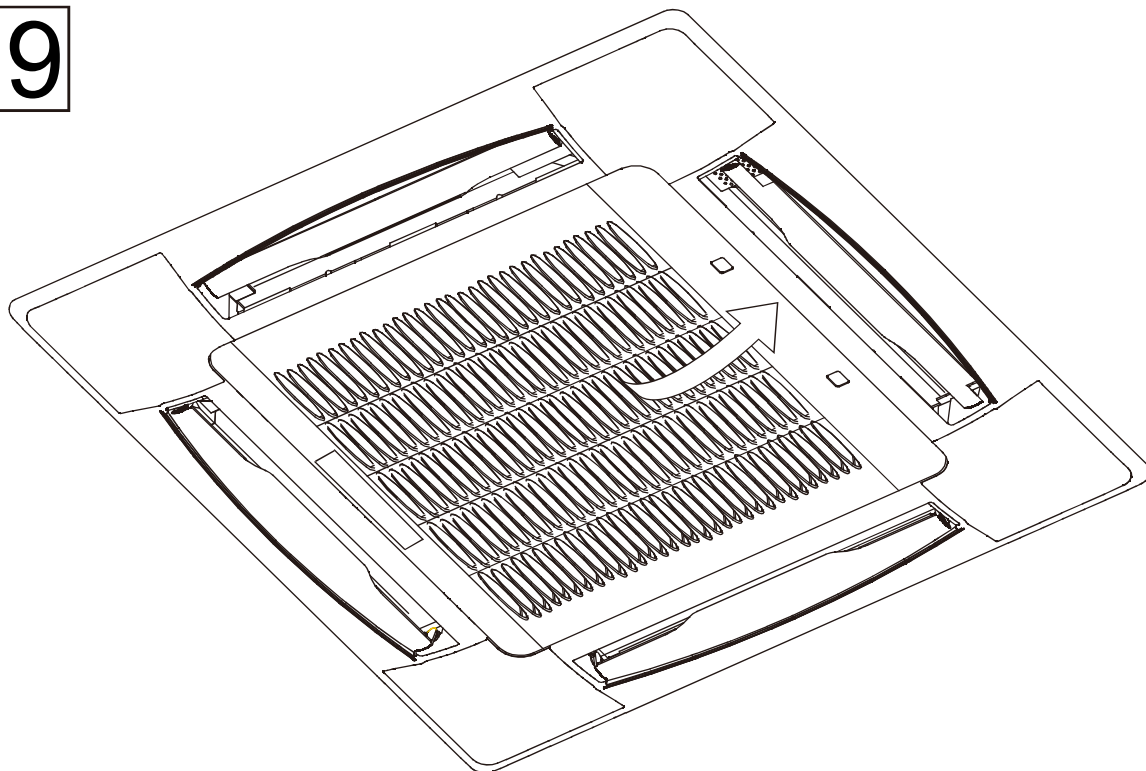


Fig. 14 —Install Filter Rack - Step 9

STATIC PRESSURE SETTING

NOTE:

- When the 2" filter is installed for the first time, the static pressure of the IDU must be adjusted.
- This is a one time setting. No setting is required when the filter is replaced.

CAUTION

If the set up is not done correctly, the air flow volume will decrease and it can lower the performance of the unit.

Unit connected to the controller (non-programmable) —

Setting must be performed from the remote controller:

1. Press and hold MODE and FAN at the same time for five seconds to enter the parameter setting mode as shown in Fig. 15.

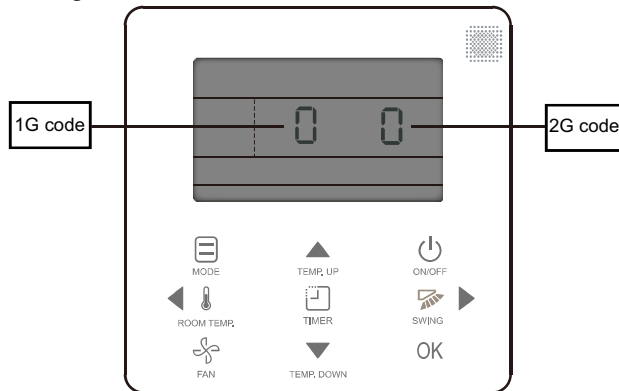


Fig. 15 —Parameter Setting Mode

2. Press ROOM TEMP/SWING to select the 1G code to 10, and press TEMP UP/TEMP DOWN to select the 2G code to 3 (0.12 in WC) as shown in Fig 16.

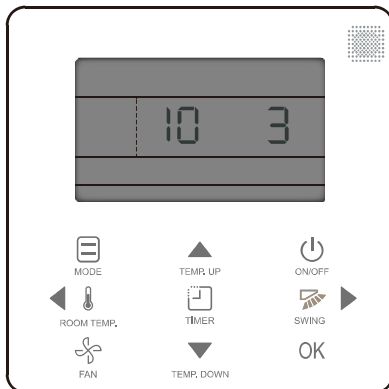


Fig. 16 —Setting 1G and 2G Codes

3. Press OK or wait for 15 seconds to confirm the setting automatically and exit parameter setting.

For more details, refer to the installation manual provided with the non-programmable remote controller.

Unit connected to the controller (programmable) —

Setting must be performed from the remote controller:

1. Press and hold FAN and BACK at the same time for five seconds to enter the interface for parameter settings.
2. Press TEMP UP/TEMP DOWN to move the cursor down.
3. Choose STATIC PRESSURE as shown in Fig. 17.

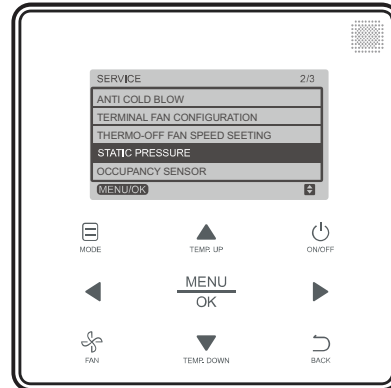


Fig. 17 —Static Pressure

4. Press MENU/OK to enter this setting.
5. Press TEMP UP/TEMP DOWN to select the static pressure.
6. Choose the parameter 0.12 IN. WC as shown in Fig. 18.

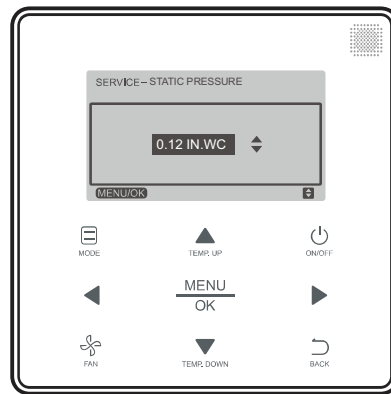


Fig. 18 —Parameter 0.12 IN. WC

7. Press MENU/OK to confirm the setting.

For more details, refer to the installation manual provided with the programmable remote controller.