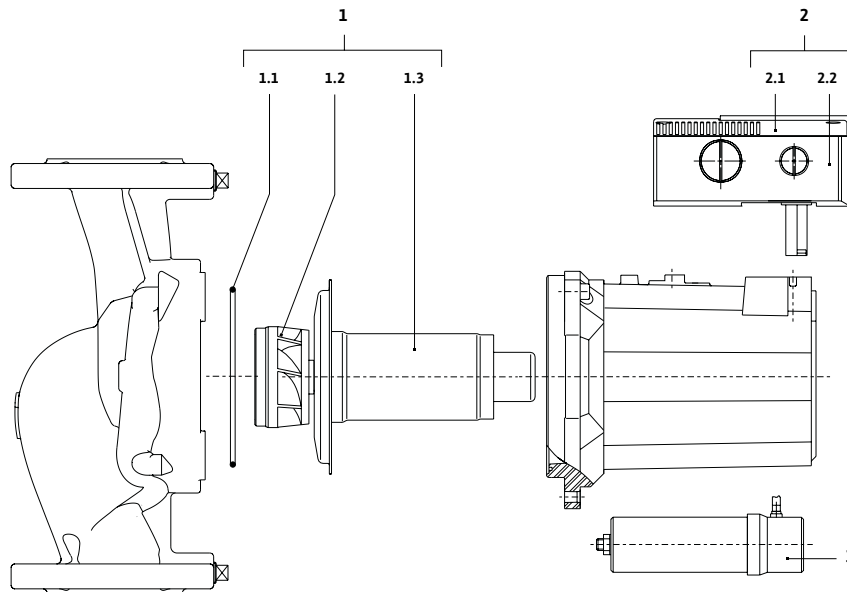


Cast Iron Circulators – Single Phase



1. Rotor Kit

- Includes:
- 1.1 O-Ring
 - 1.2 Impeller
 - 1.3 Rotor Can Assembly

2. Terminal Box Kit

- Includes:
- 2.1 Terminal Box Cover
 - 2.2 Steel Terminal Box

3. Capacitor Kit

- Includes:
- 3. Top S/Z Capacitor (Single Phase only)

Top S – Single Phase Spare Parts

Model	Article Number	Phase	Voltage	Rotor Kit (1)	List Price USD	Terminal Box Kit (2)	List Price USD	Capacitor Kit (3)	List Price USD
TOP S 1.25 X 15	2067540	1	115	2083724	235	2083752	455	2083760	80
TOP S 1.25 X 15	2067541	1	230	2083724	235	2083753	455	2083761	70
TOP S 1.25 X 25	2067542	1	115	2083725	295	2083752	455	2083762	80
TOP S 1.25 X 25	2067543	1	230	2083725	295	2083753	455	2083763	75
TOP S 1.25 X 35	2067544	1	115	2083726	350	2083754	455	2083764	80
TOP S 1.25 X 35	2067545	1	230	2083726	350	2083755	455	2083765	75
TOP S 1.5 x 20	2067547	1	115	2083728	350	2083754	455	2083764	80
TOP S 1.5 x 20	2067548	1	230	2083728	350	2083755	455	2083765	75
TOP S 1.5 X 30	2067550	1	115	2083730	530	2083754	455	2083766	110
TOP S 1.5 X 30	2067551	1	230	2083730	530	2083755	455	2083767	75
TOP S 1.5 X 40	2067555	1	115	2083732	530	2083754	455	2083766	110
TOP S 1.5 X 40	2067556	1	230	2083732	530	2083755	455	2083767	75
TOP S 1.5 X 50	2067560	1	115	2083734	605	2083754	455	2083768	140
TOP S 1.5 X 60	2067560	1	230	2083736	625	2083755	455	2083770	105
TOP S 1.5 X 50	2067561	1	230	2083734	605	2083755	455	2083769	95
TOP S 2 X 25	2067569	1	115	2083738	530	2083754	455	2083766	110
TOP S 2 X 25	2067570	1	230	2083738	530	2083755	455	2083767	75
TOP S 2 X 35	2067574	1	115	2083740	525	2083754	455	2083766	110
TOP S 2 X 35	2067575	1	230	2083740	525	2083755	455	2083767	75
TOP S 2 X 40	2067579	1	115	2083742	725	2083754	455	2083768	140
TOP S 2 X 40	2067580	1	230	2083742	725	2083755	455	2083769	95
TOP S 2 X 50	2067584	1	230	2083744	680	2083755	455	2083770	105

Wilo Top S

Spare Parts List

Cast Iron Circulators – Three Phase

Top S – Three Phase Spare Parts

Model	Article Number	Phase	Voltage	Rotor Kit (1)	List Price USD	Terminal Box Kit (2)	List Price USD	Capacitor Kit (3)	List Price USD
TOP S 1.25 X 35	2067546	3	230	2083727	350	2083756	450		
TOP S 1.5 x 20	2067549	3	230	2083729	355	2083756	450		
TOP S 1.5 X 30	2067552	3	230	2083731	530	2083756	450		
TOP S 1.5 X 30	2067553	3	460	2083731	530	2083757	515		
TOP S 1.5 X 30	2067553	3	575	2083731	530	2083757	515		
TOP S 1.5 X 40	2067557	3	230	2083733	565	2083756	450		
TOP S 1.5 X 40	2067558	3	460	2083733	565	2083757	515		
TOP S 1.5 X 40	2067559	3	575	2083733	565	2083757	515		
TOP S 1.5 X 50	2067562	3	230	2083735	615	2083756	450		
TOP S 1.5 X 50	2067563	3	460	2083735	615	2083757	515		
TOP S 1.5 X 50	2067564	3	575	2083735	615	2083757	515		
TOP S 1.5 X 70	2067566	3	230	2083737	615	2083756	450		
TOP S 1.5 X 70	2067567	3	460	2083737	615	2083757	515		
TOP S 1.5 X 70	2067568	3	575	2083737	615	2083757	515		
TOP S 2 X 25	2067571	3	230	2083739	530	2083756	450		
TOP S 2 X 25	2067572	3	460	2083739	530	2083757	515		
TOP S 2 X 25	2067573	3	575	2083739	530	2083757	515		
TOP S 2 X 35	2067576	3	230	2083741	625	2083756	450		
TOP S 2 X 35	2067577	3	460	2083741	625	2083757	515		
TOP S 2 X 35	2067578	3	575	2083741	625	2083757	515		
TOP S 2 X 40	2067581	3	230	2083743	710	2083756	450		
TOP S 2 X 40	2067582	3	460	2083743	710	2083757	515		
TOP S 2 X 40	2067583	3	575	2083743	710	2083757	515		
TOP S 2 X 50	2067585	3	230	2083745	710	2083756	450		
TOP S 2 X 50	2067586	3	460	2083745	710	2083757	515		
TOP S 2 X 50	2067587	3	575	2083745	710	2083757	515		
TOP S 2 X 60	2067588	3	230	2083746	725	2083756	450		
TOP S 2 X 60	2067589	3	460	2083746	725	2083757	515		
TOP S 2 X 60	2067590	3	575	2083746	725	2083757	515		
TOP S 3 X 25	2067591	3	230	2083747	750	2083756	450		
TOP S 3 X 25	2067592	3	460	2083747	750	2083757	515		
TOP S 3 X 25	2067593	3	575	2083747	750	2083757	515		
TOP S 3 X 50	2067594	3	230	2083748	765	2083758	580		
TOP S 3 X 70	2067597	3	230	2083749	765	2083759	600		

Note: The stator housing is not included.