

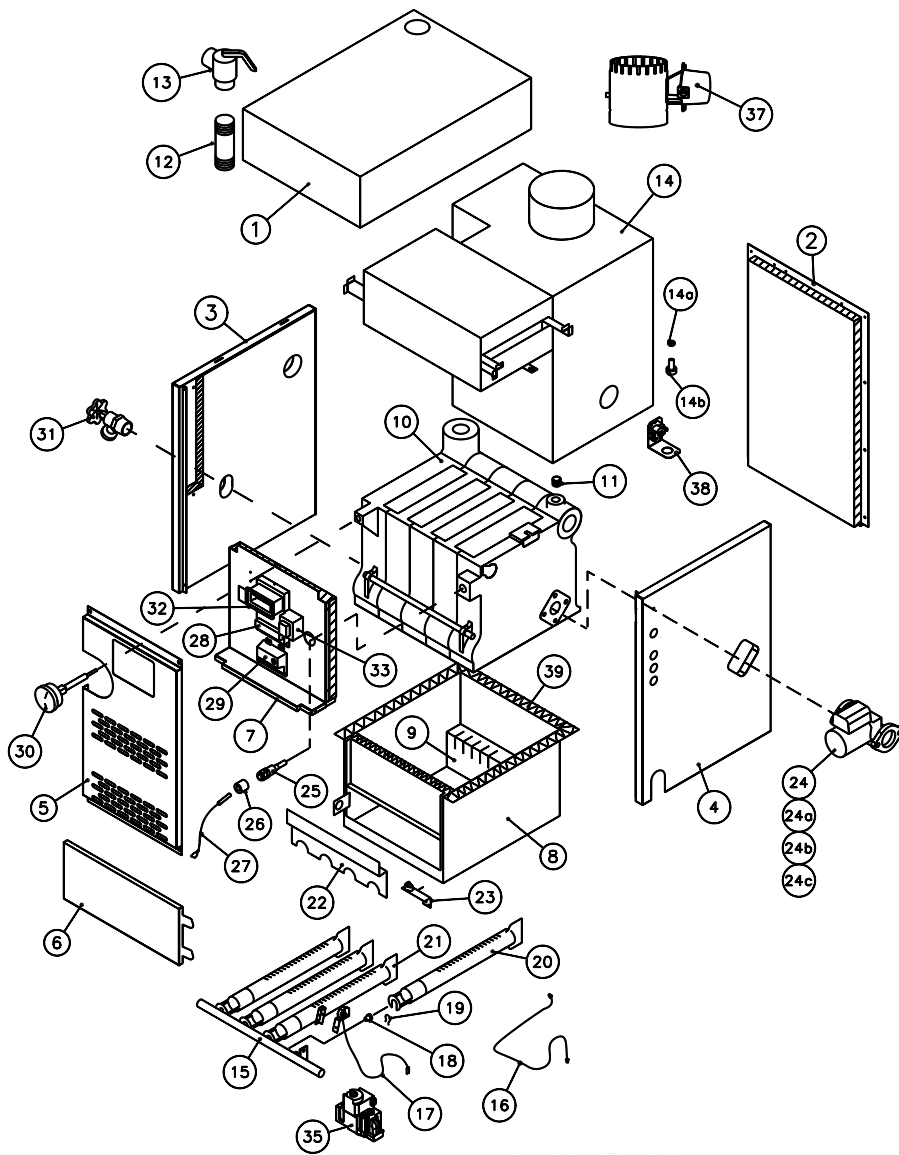
SENTRY

Cast-Iron Hot Water Gas Boilers Replacement Parts List

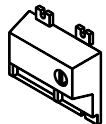
ITEM NO.	DESCRIPTION	MODEL NUMBER				
		§ S-34	S-60	S-90	S-120	S-150
1	JACKET TOP	46 0157	46 1130 300	46 1130 400	46 1130 500	46 1130 600
2	JACKET BACK	41 2182	46 0158 000	46 0159 000	46 0160 000	46 0161 000
3	JACKET LEFT	46 0155	46 0067 100	46 0067 100	46 0067 100	46 0067 100
4	JACKET RIGHT	46 0001	46 1127 100	46 1127 100	46 1127100	46 1127 100
5	JACKET FRONT UPPER	44 0868	46 1125 003	46 1125 004	46 1125 005	46 1125 006
6	JACKET FRONT LOWER	41 2172	44 0877	44 0878	44 0879	44 0880
7	CONTROL PANEL	-	46 1124 103	46 1124 104	46 1124 105	46 1124 106
8	BASE ASSEMBLY	44 0013	44 0014	44 0015	44 0016	44 0017
9	BACK & BOTTOM ASSY	44 0111	44 0112	44 0113	44 0114	44 0115
10	HEAT EXCHANGER ASSY	44 0006	44 0007	44 0008	44 0009	440010
11	BLANK PLUG 3/4"	902340051	902340051	902340051	902340051	902340051
12	PIPE NIPLE 3/4"	460514	460514	460514	460514	460514
13	RELIEF VALVE 30PSI	40 0103	40 0103	40 0103	40 0103	40 0103
14	FLUE COLLECTOR/DIVERTER ASSY	46 0312	46 0313	46 0314	46 0315	46 0316
14A	HEX NUT	902702011	902702011	902702011	902702011	902702011
14B	MACHINE SCREW	930063171	930063171	930063171	930063171	930063171
15	GAS MANIFOLD	44 0501	44 0502	44 0503	44 0504	44 0505
16	PILOT TUBE 1/4" ALUM.	41 0530 000	41 0530 000	41 0530 000	41 0530 000	41 0530 000
17	PILOT BURNER (NATURAL GAS)	41 2075 000	41 2075 000	41 2075 000	41 2075 000	41 2075 000
17	PILOT BURNER (PROPANE GAS)	41 2067 000	41 2067 000	41 2067 000	41 2067 000	41 2067 000
18	MAIN BURNER ORIFICE (NATURAL GAS)	44 0550	44 0551	44 0551	44 0551	44 0551
18	MAIN BURNER ORIFICE (PROPANE GAS)	41 1870	41 0553	41 0553	41 0553	41 0553
19	BURNER CLIP	41 0509	41 0509	41 0509	41 0509	41 0509
20	MAIN BURNER	44 0539	44 0539	44 0539	44 0539	44 0539
21	MAIN BURNER W/BACKET	44 0540	44 0540	44 0540	44 0540	44 0540
22	ACCESS DOOR	44 0027	44 0028	44 0029	44 0030	44 0031
23	ROLL-OUT SWITCH	41 1883	44 0721	44 0721	46 0547	46 0547
24	CIRCULATOR	79 02022	79 02022	79 02022	79 02022	79 02022
24A	STUD, CIRCULATOR	43 0107	43 0107	43 0107	43 0107	43 0107
24B	GASKET, CIRCULATOR	44 0600	44 0600	44 0600	44 0600	44 0600
24C	HEX NUT, CIRCULATOR	44 0562	44 0562	44 0562	44 0562	44 0562
25	ELECTRO WELL	46 1012	41 3413 000	41 3413 000	41 3413 000	41 3413 000
26	RUBBER GROMMET	-	46 0762 000	46 0762 000	46 0762 000	46 0762 000
27	SENSOR 12"	46 0764 000	46 0764 000	46 0764 000	46 0764 000	46 0764 000
28	HYDROSTAT CONTROL	46 1010	46 1022 000	46 1021 000	46 1021 000	46 1021 000
29	IGNITION CONTROL UT1003-621A (NAT. GAS)-SEE PAGE 2	41 2101 000	41 2101 000	41 2101 000	41 2101 000	41 2101 000
30	TEMPERATURE/PRSSURE GAUGE	910373061	910373061	910373061	910373061	910373061
31	DRAIN VALVE	910460011	910460011	910460011	910460011	910460011
32	BEZE	-	46 1023 000	46 1023 000	46 1023 000	46 1023 000
33	TRANSFORMER	-	46 1024 000	-	-	-
35	GAS VALVE (NATURAL GAS)-SEE PAGE	44 0534	44 0534	44 0534	44 0534	44 0534
37	VENT DAMPER	41 27040	41 27040	41 27050	41 27060	41 27070
38	DRAFT DIVERTER BLOCKED VENT SAFETY SWITCH	46 0754 000	46 0754 000	46 0754 000	46 0754 000	46 0754 000
39	FIBERGLASS ROPE	40 3254	40 3254	40 3254	40 3254	40 3254
40	THERMOSTAT TERMINAL (NOT SHOWN)	-	66 0523 000	66 0523 000	66 0523 000	66 0523 000
41	IGNITION CONTROL TO GAS VALVE HARNESS ASSY (NOT SHOWN)	41 2777	46 1126 000	46 1126 000	46 1126 000	46 1126 000
42	VENT DAMPER HARNESS (NOT SHOWN)	41 1187 067	41 1187 067	41 1187 067	41 1187 067	41 1187 067
43	CIRCULATOR HARNESS (NOT SHOWN)	44 0892	41 2498 000	41 2498 000	41 2498 000	41 2498 000
44	BLOCKED VENT SAFETY SWITCH HARNESS (NOT SHOWN)	41 2466	41 2476 000	41 2476 000	41 2476 000	41 2476 000
45	IGNITION CONTROL/ROLL-OUT SWITCH HARNESS (NOT SHOWN)	41 2477	41 2477 000	41 2477 000	41 2477 000	41 2477 000
46	IGNITION CONTROL/HYDROSTAT CONTROL HARNESS (NOT SHOWN)	46 0756	41 2462 000	41 2462 000	41 2462 000	41 2462 000

When ordering replacement parts, specify the boiler model number, serial number and gas by name (natural or propane). For replacement parts, heating contractors should contact their Slant/Fin boiler distributor.

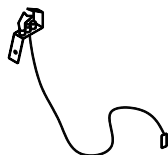
§ Note: All models except S-34 are with shallow vestibule.
For intermittent ignition parts, see page 2.



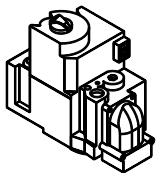
SENTRY SERIES Intermittent Ignition (IID) Parts List



IGNITION CONTROL



IGNITION PILOT W/WIRE



GAS VALVE

DESCRIPTION	PART #	APPLICATION
Gas valve-natural gas Honeywell No. VR8204A-2266	440534	All natural gas boiler sizes
Gas valve-propane gas Honeywell No. VR8204A-2258	440535	All propane gas boiler sizes
Ignition control-natural gas Honeywell No. S8600M-3001 or Ignition control-natural gas UT1003-621A	412101	All natural gas boiler sizes
Ignition control-propane gas Honeywell No. S8600H-3002 or Ignition control-propane gas UT1003-623A	412808 412105	All propane gas boiler sizes
Electric ignition pilot: *Honeywell Q3451B-1004-natural gas *Honeywell Q3451B-propane gas	412075 412067	All natural gas boiler sizes All propane gas boiler sizes

*Includes ignition wire



©Slant/Fin Corp. 2017

SLANT/FIN CORPORATION, Greenvale, N.Y. 11548 • Phone: (516) 484-2600
FAX: (516) 484-0933 • Canada: Slant/Fin LTD/LTEE, Mississauga, Ontario

www.slantfin.com