



325 COMMERCE DRIVE
 MT VERNON, OH 43050
 800-253-8236

SPECIFICATION DATA SHEET

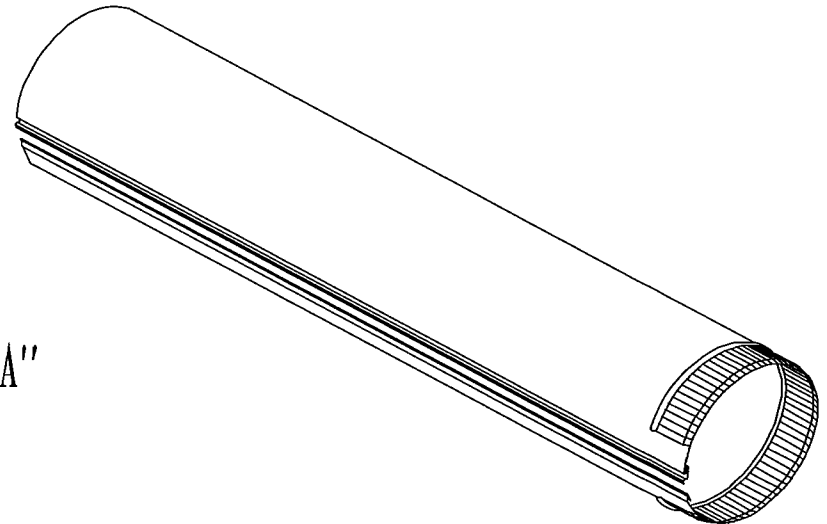
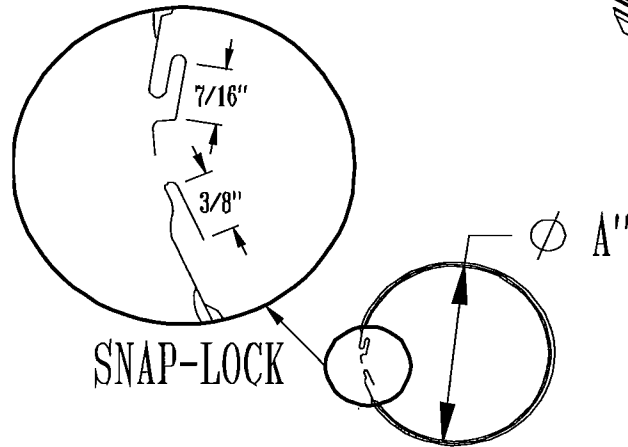
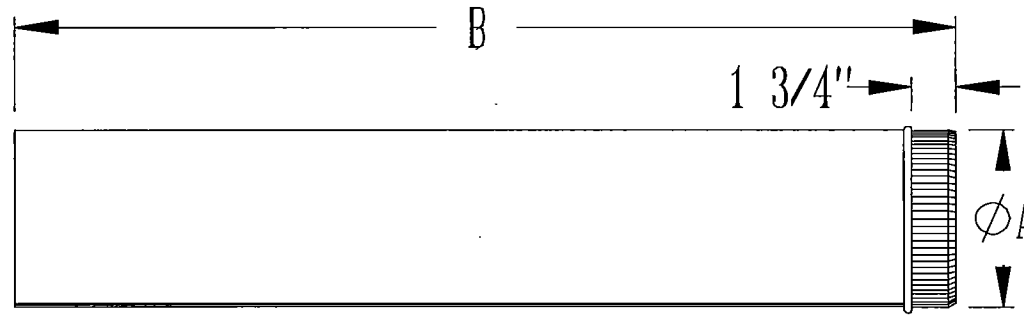
DATE: 1-26-12
 PREPARED BY: RL

MODEL NO. 101
28GA SNAPLOCK PIPE

STANDARD MODEL

DIMENSIONS

SIZE	LENGTHS AVAIL.		GAGE
	A	B	
3"	3"	24"	28
4"	4"	24", 60", 120"	28
5"	5"	24", 60"	28
6"	6"	24", 60", 120"	28
7"	7"	24", 60", 120"	28
8"	8"	24", 60", 120"	28
9"	9"	24", 60"	28
10"	10"	24", 60"	28
12"	12"	24", 60"	28
14"	14"	24", 60"	28
16"	16"	24", 48", 60"	28
18"	18"	48"	28
20"	20"	48"	28



MATERIAL SPECIFICATIONS

HOT DIPPED GALVANIZED STEEL.
 PER ASTM A 653 CSB.

OPTIONS

AVAILABLE WITH REINFORCING RIBS

JOB: _____
 LOCATION: _____
 CONTRACTOR: _____
 ENGINEER: _____
 NOTES: _____