



325 COMMERCE DRIVE
 MT VERNON, OH 43050
 800-253-8236

SPECIFICATION DATA SHEET

DATE: 4-24-14
 PREPARED BY: RL

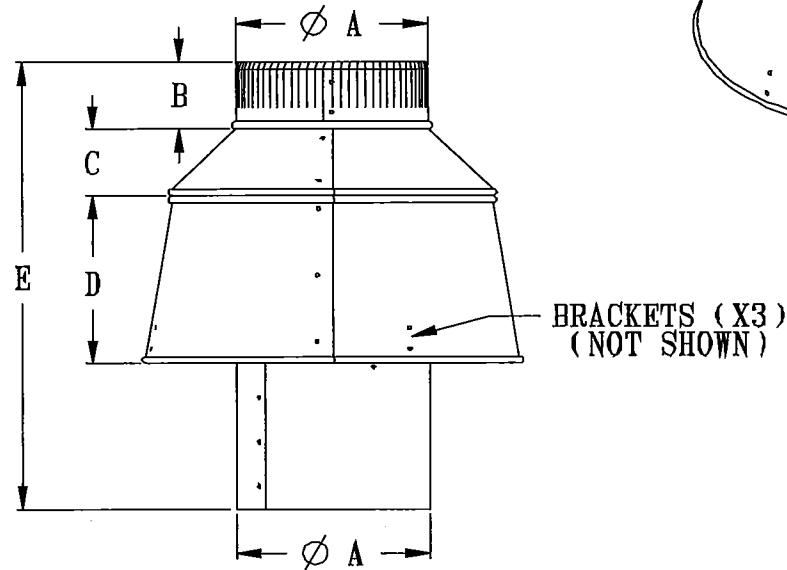
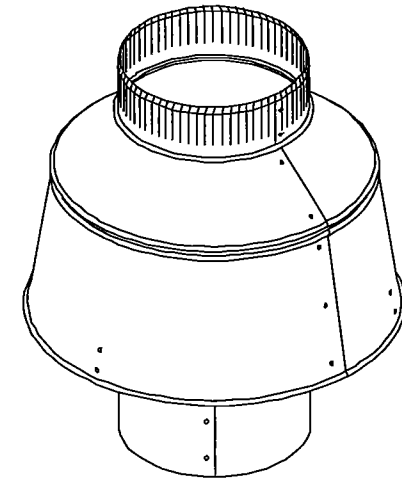
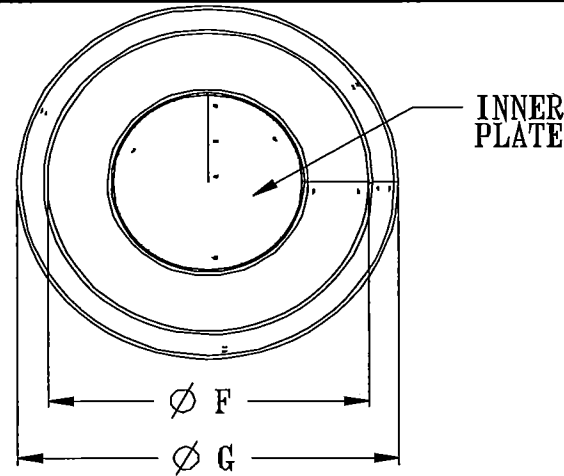
MODEL NO. 054 DRAFT DIVERTER

Standard Model

DIMENSIONS

SIZE

A	B	C	D	E	F	G
3"	2 1/4"	1 7/8"	4 1/8"	13 1/4"	5"	6 1/4"
4"	2 1/4"	1 7/8"	4 5/8"	13 3/8"	6"	7 1/4"
5"	2 1/4"	2 1/8"	5 1/8"	14 1/4"	8"	9 1/2"
6"	2 1/4"	2 3/8"	5 5/8"	12 1/8"	10"	11 5/8"
7"	2 1/4"	2 5/8"	6 1/8"	15 3/4"	12"	14"
8"	2 1/4"	2 7/8"	6 7/8"	16 3/4"	13"	15"
9"	2 1/4"	3 1/8"	7 3/8"	17 1/4"	15"	17"
10"	2 1/4"	3 7/8"	7 7/8"	18 1/8"	17"	19"
12"	2 1/4"	4 3/8"	8 7/8"	19 5/8"	20"	22"
14"	2 1/4"	4 7/8"	9 7/8"	21 1/8"	24"	26"



MATERIAL SPECIFICATIONS

HOT DIPPED GALVANIZED STEEL.
 PER ASTM A 653 CSB.

BODY / COLLAR / BRACKETS: 3" - 8" = 26 GAUGE
 9" - 14" = 24 GAUGE

ASSEMBLED WITH 1/8" ZINC COATED RIVETS.

OPTIONS

JOB: _____
 LOCATION: _____
 CONTRACTOR: _____
 ENGINEER: _____
 NOTES: _____