



325 COMMERCE DRIVE
 MT VERNON, OH 43050
 800-253-8236

SPECIFICATION DATA SHEET

DATE: 7-28-11
 PREPARED BY: RL

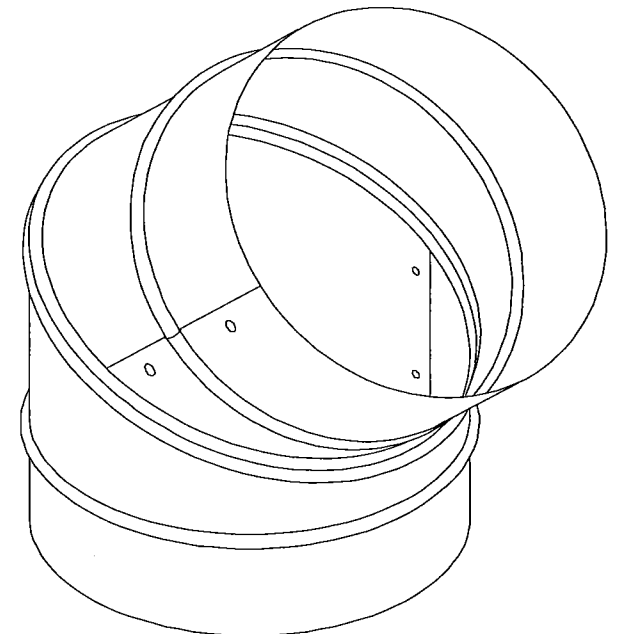
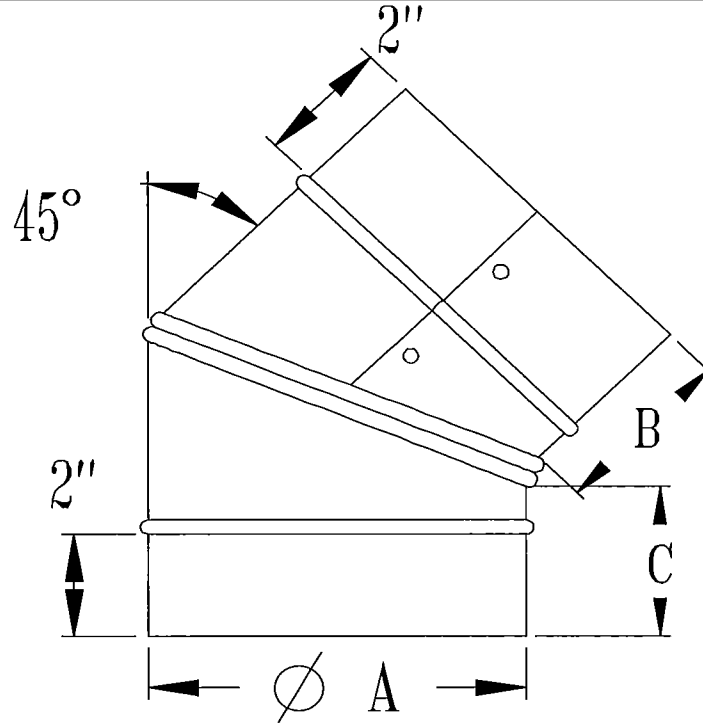
MODEL NO. 8151

SPIRAL ANGLE

STANDARD MODEL

DIMENSIONS

SIZE	A	B	C	*GAUGES AVAIL.
4"	4"	2 1/4	2 1/4	26
5"	5"	2 1/4	2 1/4	26
6"	6"	2 1/4	2 1/4	26,24
8"	8"	3	3	26,24
9"	9"	3	3	26,24
10"	10"	3	3	26,24
12"	12"	2 7/8	2 7/8	26,24
14"	14"	3	3	26,24
16"	16"	3	3	26,24
18"	18"	3	3	24
20"	20"	3	3	24
22"	22"	3	3	24
24"	24"	3	3	24
26"	26"	3	3	24
28"	28"	2 1/2	2 1/2	24
30"	30"	2 1/2	2 1/2	24
32"	32"	2 1/2	2 1/2	24
34"	34"	2 1/2	2 1/2	24
36"	36"	2 1/2	2 1/2	24



MATERIAL SPECIFICATIONS

HOT DIPPED GALVANIZED STEEL.
 PER ASTM A 653 CSB.

ASSEMBLED WITH 1/8" ZINC COATED RIVETS.

*AVAILABLE IN OTHER GAUGES NOT SHOWN.
 CONSULT SMACNA DUCT CONSTRUCTION
 MANUAL FOR CORRECT GAUGE FOR YOUR
 APPLICATION.

OPTIONS

JOB: _____
 LOCATION: _____
 CONTRACTOR: _____
 ENGINEER: _____
 NOTES: _____