



325 COMMERCE DRIVE  
 MT VERNON, OH 43050  
 800-253-8236

**SPECIFICATION DATA SHEET**

DATE: 5-8-14  
 PREPARED BY: RL

**MODEL NO. 151**

**ANGLE**

STANDARD MODEL

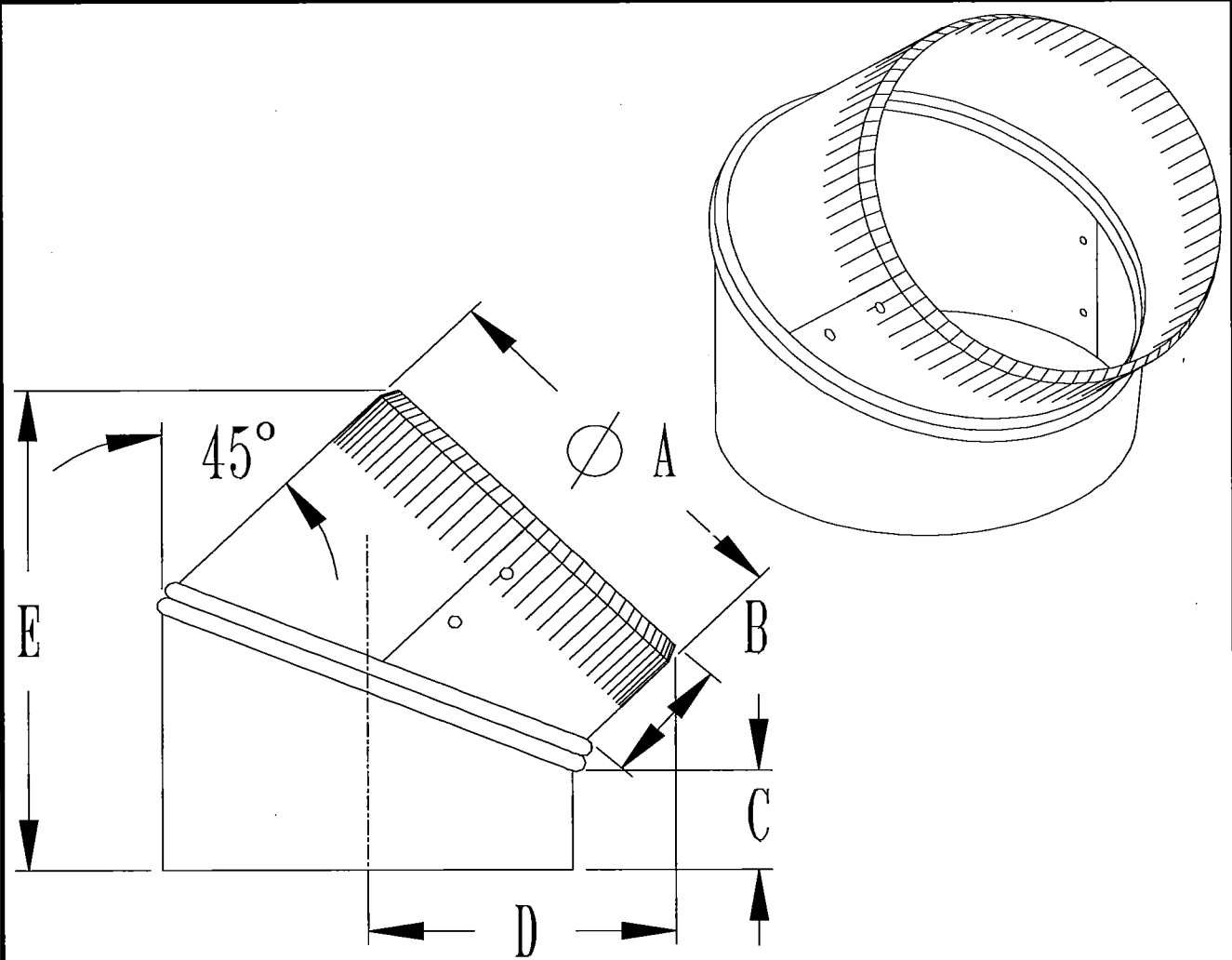
**DIMENSIONS**

SIZE	A	B	C	D	E	GAGES AVAIL.
3"	3"	1 1/4"	1"	2 1/4"	3 1/8"	28,26
4"	4"	1 1/2"	1"	2 7/8"	4 3/4"	STD,28,26
5"	5"	1 3/4"	1"	3 1/2"	5 1/2"	STD,26,24
6"	6"	1 3/4"	1"	4"	6 1/4"	STD,26,24
7"	7"	2 1/4"	1"	4 5/8"	6 7/8"	STD,26,24
8"	8"	2 3/4"	1"	5 1/4"	7 5/8"	STD,26,24
9"	9"	3"	1"	5 7/8"	8 3/8"	28,26,24
10"	10"	2 7/8"	1 1/2"	6 3/8"	9 7/8"	28,26,24
12"	12"	3 1/8"	1 1/2"	7 1/2"	11 1/4"	26,24
14"	14"	3 1/8"	1 1/2"	8 1/2"	12 3/4"	26,24
16"	16"	2 1/2"	1 1/2"	9 1/4"	14 1/8"	24
18"	18"	2 1/4"	1 1/2"	10 1/4"	15 1/2"	24
20"	20"	3"	1"	11 3/8"	16 1/8"	24
22"	22"	2"	2"	12"	19 1/4"	24
24"	24"	1 3/4"	1 3/4"	13"	20 1/4"	24

**MATERIAL SPECIFICATIONS**

HOT DIPPED GALVANIZED STEEL.  
 PER ASTM A 653 CSB.

ASSEMBLED WITH 1/8" ZINC COATED RIVETS.



**OPTIONS**

JOB: \_\_\_\_\_  
 LOCATION: \_\_\_\_\_  
 CONTRACTOR: \_\_\_\_\_  
 ENGINEER: \_\_\_\_\_  
 NOTES: \_\_\_\_\_