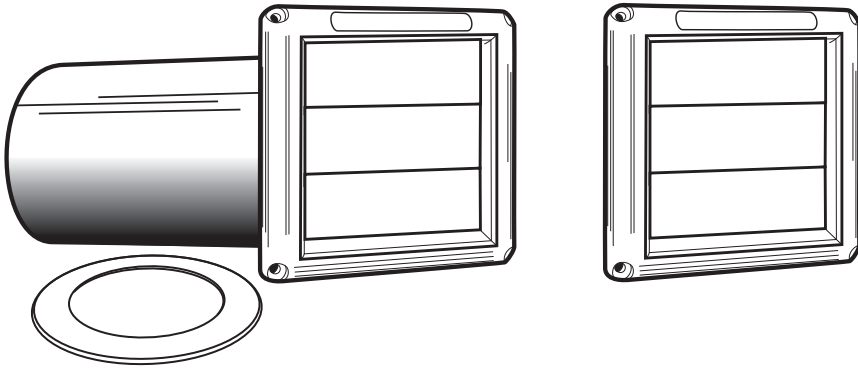


### Dryer Vent - 4" Supurr-Vent<sup>®</sup> Louvered Vent Hood, with aluminum pipe and collar



SVHCW<sub>4</sub>, SVHCB<sub>4</sub>, SVHAW<sub>4</sub>, SVHAW<sub>4/18</sub>, SVHAB<sub>4</sub>, SVHXW<sub>4</sub>, SVHUW<sub>4</sub>, SVHUB<sub>4</sub>

HS<sub>4</sub>W, HS<sub>4</sub>B, HSR<sub>4</sub>W, HSR<sub>4</sub>W/18, HSR<sub>4</sub>B, HSR<sub>4</sub>B/18

Model No.	Description	Color
HS <sub>4</sub> W	Hood only	White
HS <sub>4</sub> B	Hood only	Brown
HSR <sub>4</sub> W	Hood only	White
HSR <sub>4</sub> W/18	Hood only	White
HSR <sub>4</sub> B	Hood only	Brown
HSR <sub>4</sub> B/18	Hood only	Brown
SVHCW <sub>4</sub>	Hood/pipe unassem.	White
SVHCB <sub>4</sub>	Hood/pipe unassem.	Brown
SVHXW <sub>4</sub>	Hood/pipe assem.	White
SVHAW <sub>4</sub>	Hood/pipe assem.	White
SVHAB <sub>4</sub>	Hood/pipe assem.	Brown
SVHUW <sub>4</sub>	Hood/pipe unassem.	White
SVHUB <sub>4</sub>	Hood/pipe unassem.	Brown

### Performance Data

for plastic molded vent hoods

#### Hood

- Calcium filled Polypropylene
- Melting point: 325° F+
- UV Inhibitor added

#### Pipe

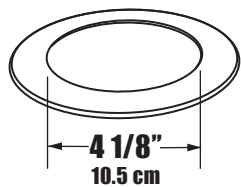
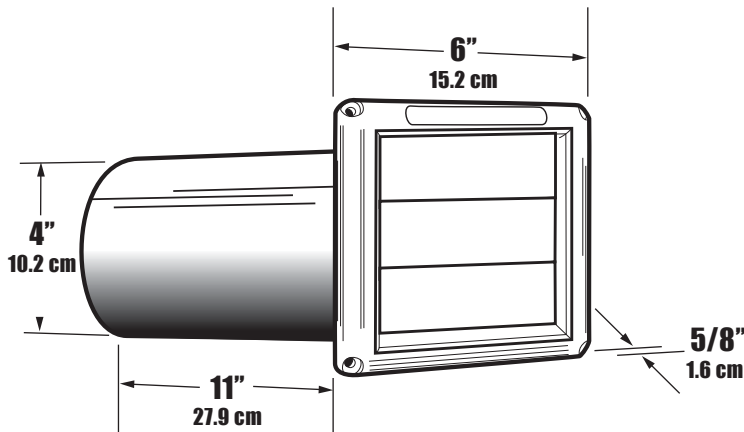
- Aluminum

#### Collar

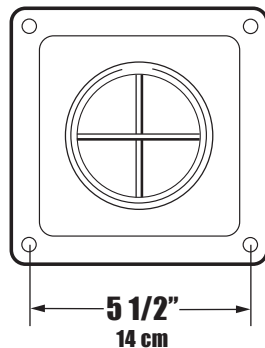
- High impact styrene

### General Information

- 4" dia. opening
- quick, easy installation
- louvered construction helps prevent wind and rain from entering vent
- opens with ease for maximum airflow
- durable weather resistant
- curved louvers for quieter operation



Plastic collar



Rear View

Molded for easy connection of pipe



Side View

Hood Dia.	CFM	Tested	p/d in/w.c.
4" (10.2 cm)	50	✓	.045
4" (10.2 cm)	75	✓	.056
4" (10.2 cm)	100	✓	.052
4" (10.2 cm)	125	✓	.043
4" (10.2 cm)	150	✓	.042
4" (10.2 cm)	175	✓	.04
4" (10.2 cm)	200	✓	.032