

PROJECT: _____	UNIT TAG: _____	QUANTITY: _____
REPRESENTATIVE: _____	TYPE OF SERVICE: _____	DATE: _____
ENGINEER: _____	SUBMITTED BY: _____	DATE: _____
CONTRACTOR: _____	APPROVED BY: _____	DATE: _____
	ORDER NO.: _____	DATE: _____

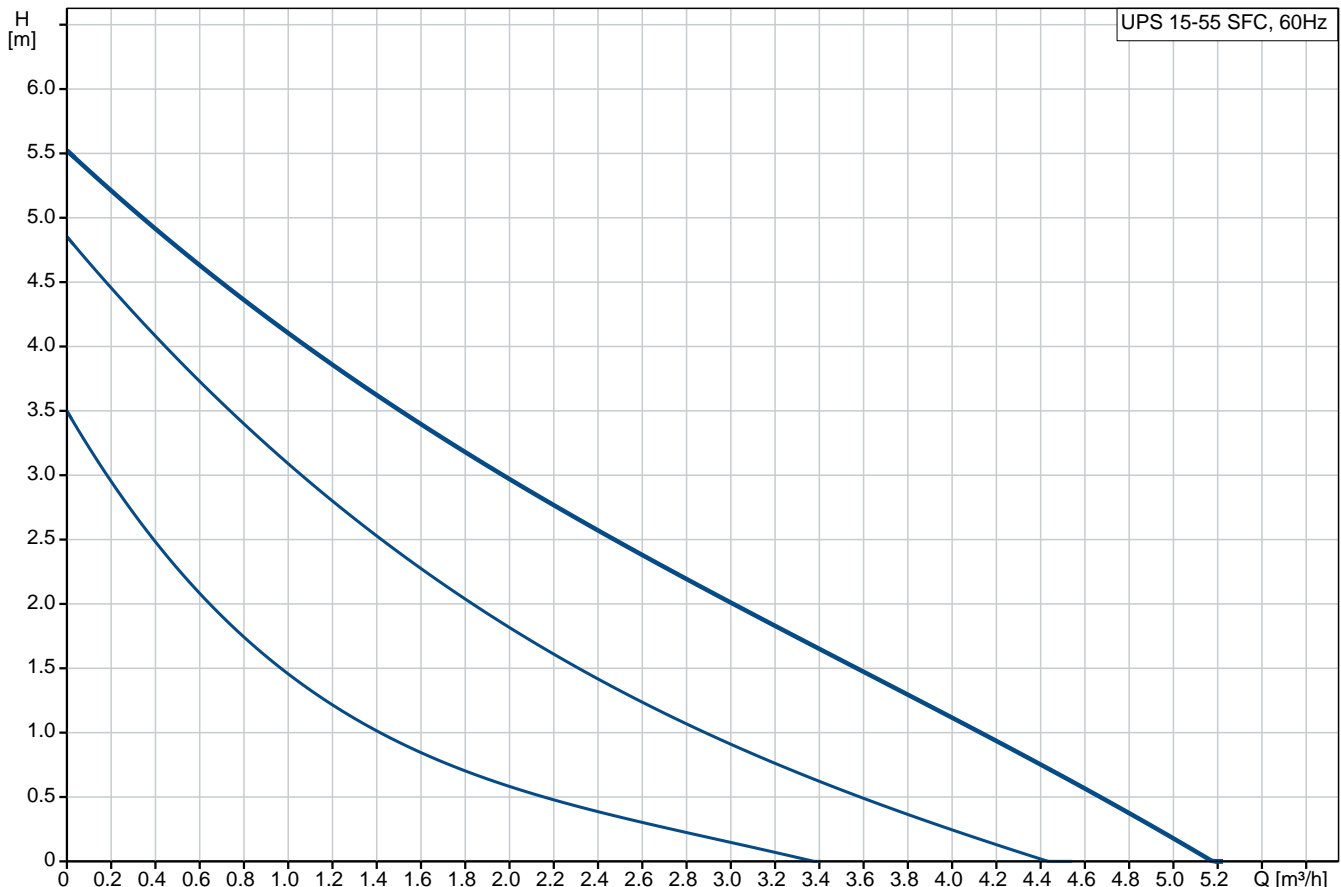
UPS 15-55 SFC

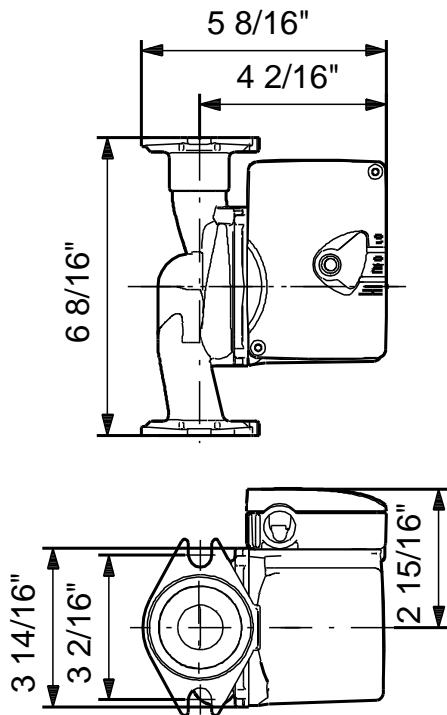
Circulator pumps



Note! Product picture may differ from actual product

Conditions of Service	Pump Data	Motor Data
Flow: _____	Maximum operating pressure: 10 bar	Max. power input: 87 W
Head: _____	Liquid temperature range: 2 .. 110 °C	Rated power - P2: 0.6/0.07/0.09 kW
Efficiency: _____	Maximum ambient temperature: 40 °C	Rated voltage: 115 V
Liquid: Water	Approvals: UL, CSA	Mains frequency: 60 Hz
Temperature: 60 °C	Type of connection: S.S. Flange	Insulation class: F
NPSH required: m	Flange standard: USA Oval	Motor protection: CONTACT
Viscosity: _____	Pipe connection: 2 - Bolt Flange	Thermal protection: Internal
Specific Gravity: 0.985	Product number: On request	





Materials:

Pump housing: Stainless steel
DIN W.-Nr. 1.4301
AISI 304

Impeller: Composite, PES

Tender Text



Note! Product picture may differ from actual product

Product No.: On request

UPS 15-55 SFC

The pump is of the canned rotor type, i.e. pump and motor form an integral unit without shaft seal and with only two gaskets for sealing.

The bearings are lubricated by the pumped liquid.

The pump has 3-step speed selector.

The pump is characterized by:

- * Ceramic shaft and radial bearings.
- * Carbon axial bearing.
- * Stainless steel rotor can and bearing plate.
- * Corrosion-resistant impeller, Composite, PES.
- * Stainless steel pump housing.

The motor is a 1-phase motor.

No additional motor protection is required.

Liquid:

Pumped liquid: Water
Liquid temperature range: 2 .. 110 °C
Liquid temperature during operation: 60 °C
Density: 983.2 kg/m³

Technical:

Approvals on nameplate: UL, CSA

Materials:

Pump housing: Stainless steel
DIN W.-Nr. 1.4301
AISI 304
Impeller: Composite, PES

Installation:

Maximum ambient temperature: 40 °C
Amb. max at 80 dgr C liquid: 80 °C
Maximum operating pressure: 10 bar
Flange standard: USA Oval
Type of connection: S.S. Flange
Pipe connection: 2 - Bolt Flange
Pressure rating: 10
Port-to-port length: 165 mm


Electrical data:

Power input in speed 1: 58 W
Power input in speed 2: 77 W
Max. power input: 87 W

Rated power - P2: 0.6/0.07/0.09 kW
Mains frequency: 60 Hz
Rated voltage: 1 x 115 V
Current in speed 1: 0.53 A
Current in speed 2: 0.69 A
Current in speed 3: 0.75 A
Capacitor size - run: 10 μ F/180 V
Number of poles: 2
Insulation class (IEC 85): F

Others:

Gross weight: 2.72 kg

Position	Qty.	Description
	1	<p data-bbox="320 338 501 365">UPS 15-55 SFC</p>  <p data-bbox="711 680 1193 707">Note! Product picture may differ from actual product</p> <p data-bbox="320 714 600 741">Product No.: On request</p> <p data-bbox="320 743 842 831">The pump is of the canned rotor type, i.e. pump and motor form an integral unit without shaft seal and with only two gaskets for sealing.</p> <p data-bbox="320 833 850 860">The bearings are lubricated by the pumped liquid.</p> <p data-bbox="320 862 730 889">The pump has 3-step speed selector.</p> <p data-bbox="320 891 655 918">The pump is characterized by:</p> <ul data-bbox="357 920 903 1068" style="list-style-type: none"> * Ceramic shaft and radial bearings. * Carbon axial bearing. * Stainless steel rotor can and bearing plate. * Corrosion-resistant impeller, Composite, PES. * Stainless steel pump housing. <p data-bbox="320 1099 655 1126">The motor is a 1-phase motor.</p> <p data-bbox="320 1128 780 1155">No additional motor protection is required.</p> <p data-bbox="320 1187 405 1214">Liquid:</p> <p data-bbox="320 1216 817 1335">Pumped liquid: Water Liquid temperature range: 2 .. 110 °C Liquid temperature during operation: 60 °C Density: 983.2 kg/m³</p> <p data-bbox="320 1366 445 1393">Technical:</p> <p data-bbox="320 1395 783 1422">Approvals on nameplate: UL, CSA</p> <p data-bbox="320 1453 437 1480">Materials:</p> <p data-bbox="320 1482 887 1601">Pump housing: Stainless steel DIN W.-Nr. 1.4301 AISI 304 Impeller: Composite, PES</p> <p data-bbox="320 1632 461 1659">Installation:</p> <p data-bbox="320 1662 847 1899">Maximum ambient temperature: 40 °C Amb. max at 80 dgr C liquid: 80 °C Maximum operating pressure: 10 bar Flange standard: USA Oval Type of connection: S.S. Flange Pipe connection: 2 - Bolt Flange Pressure rating: 10 Port-to-port length: 165 mm</p> <p data-bbox="320 1930 497 1957">Electrical data:</p> <p data-bbox="320 1960 873 2101">Power input in speed 1: 58 W Power input in speed 2: 77 W Max. power input: 87 W Rated power - P2: 0.6/0.07/0.09 kW Mains frequency: 60 Hz</p>



Company name:

Created by:

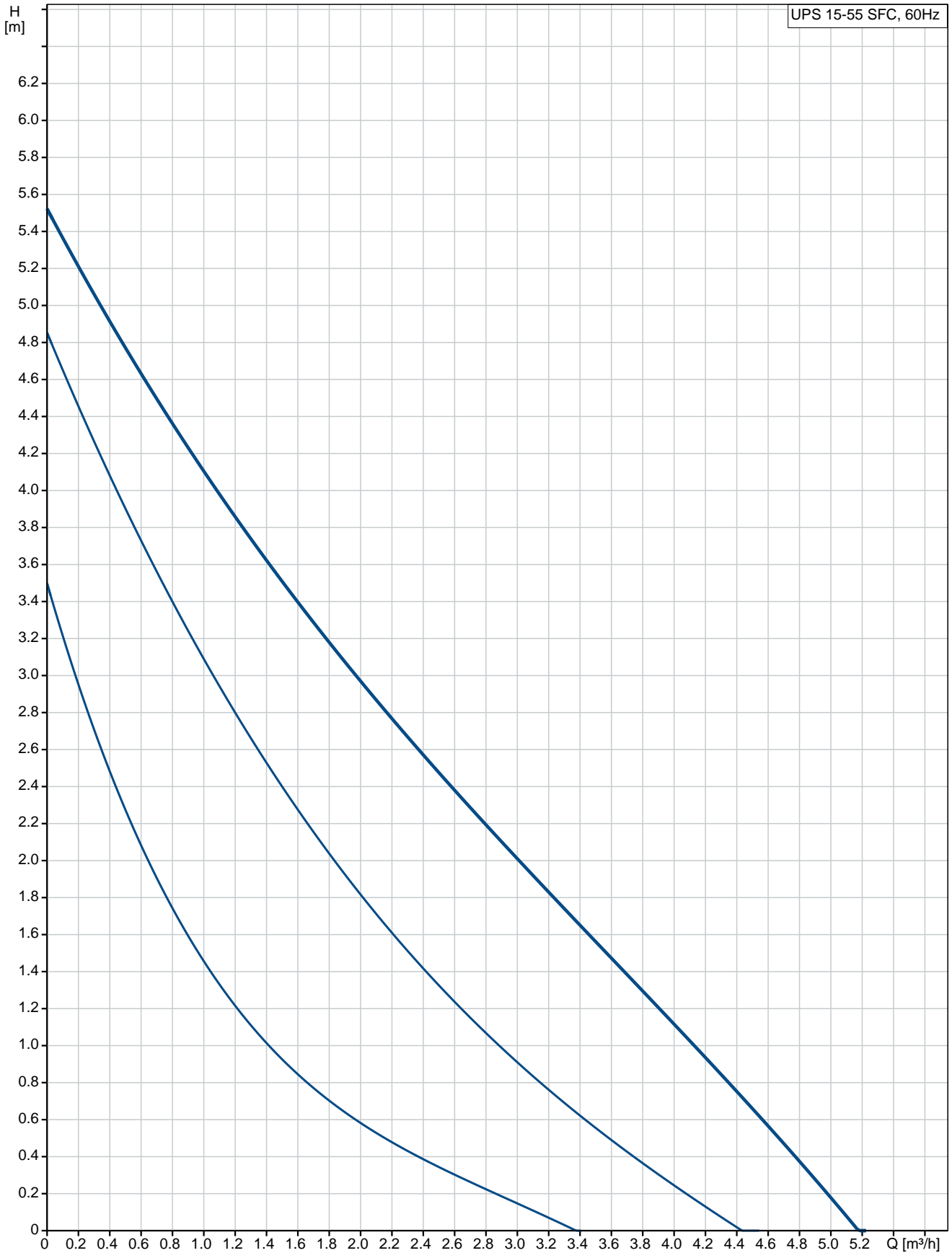
Phone:

Date:

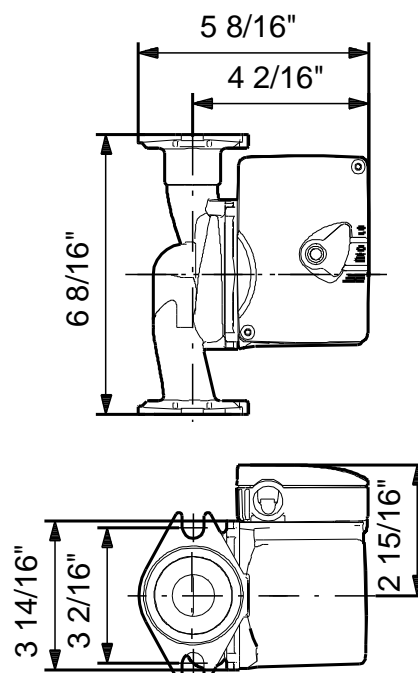
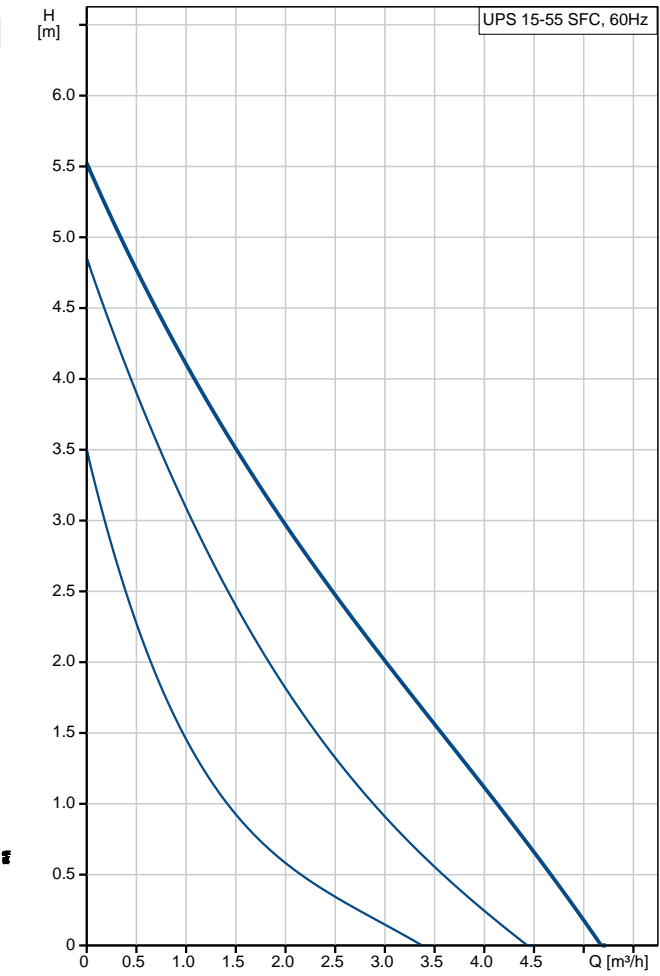
28/11/2017

Position	Qty.	Description
		Rated voltage: 1 x 115 V Current in speed 1: 0.53 A Current in speed 2: 0.69 A Current in speed 3: 0.75 A Capacitor size - run: 10 µF/180 V Number of poles: 2 Insulation class (IEC 85): F Others: Gross weight: 2.72 kg

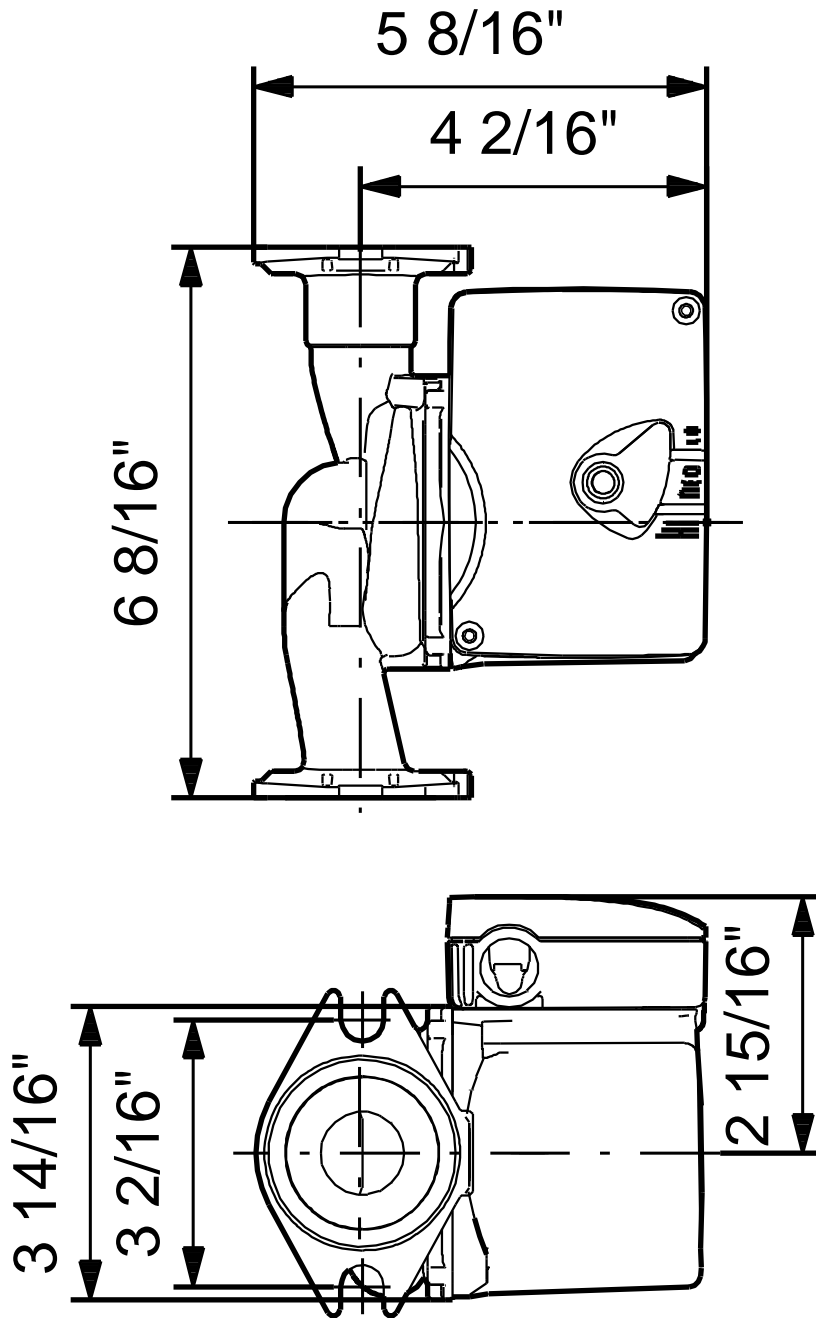
On request UPS 15-55 SFC 60 Hz



Description	Value
General information:	
Product name:	UPS 15-55 SFC
Product No:	On request
EAN number:	On request
Technical:	
Speed no:	3
Max flow:	5.7 m ³ /h
Head max:	5.5 m
Approvals on nameplate:	UL, CSA
Valve:	Y
Materials:	
Pump housing:	Stainless steel DIN W.-Nr. 1.4301 AISI 304
Impeller:	Composite, PES
Installation:	
Maximum ambient temperature:	40 °C
Amb. max at 80 dgr C liquid:	80 °C
Maximum operating pressure:	10 bar
Flange standard:	USA Oval
Type of connection:	S.S. Flange
Pipe connection:	2 - Bolt Flange
Pressure rating:	10
Port-to-port length:	165 mm
Liquid:	
Pumped liquid:	Water
Liquid temperature range:	2 .. 110 °C
Liquid temperature during operation:	60 °C
Density:	983.2 kg/m ³
Electrical data:	
Power input in speed 1:	58 W
Power input in speed 2:	77 W
Max. power input:	87 W
Rated power - P2:	0.6/0.07/0.09 kW
Mains frequency:	60 Hz
Rated voltage:	1 x 115 V
Current in speed 1:	0.53 A
Current in speed 2:	0.69 A
Current in speed 3:	0.75 A
Capacitor size - run:	10 µF/180 V
Number of poles:	2
Insulation class (IEC 85):	F
Motor protec:	CONTACT
Thermal protec:	Internal
Controls:	
Pos term box:	9H
Others:	
Gross weight:	2.72 kg



On request UPS 15-55 SFC 60 Hz



Note! All units are in [mm] unless others are stated.
Disclaimer: This simplified dimensional drawing does not show all details.



Company name:

Created by:

Phone:

Date: 28/11/2017

Order Data:

Product name: UPS 15-55 SFC

Amount: 1

Product No: On request

Total: Price on request
