



325 COMMERCE DRIVE
 MT VERNON, OH 43050
 800-253-8236

SPECIFICATION DATA SHEET

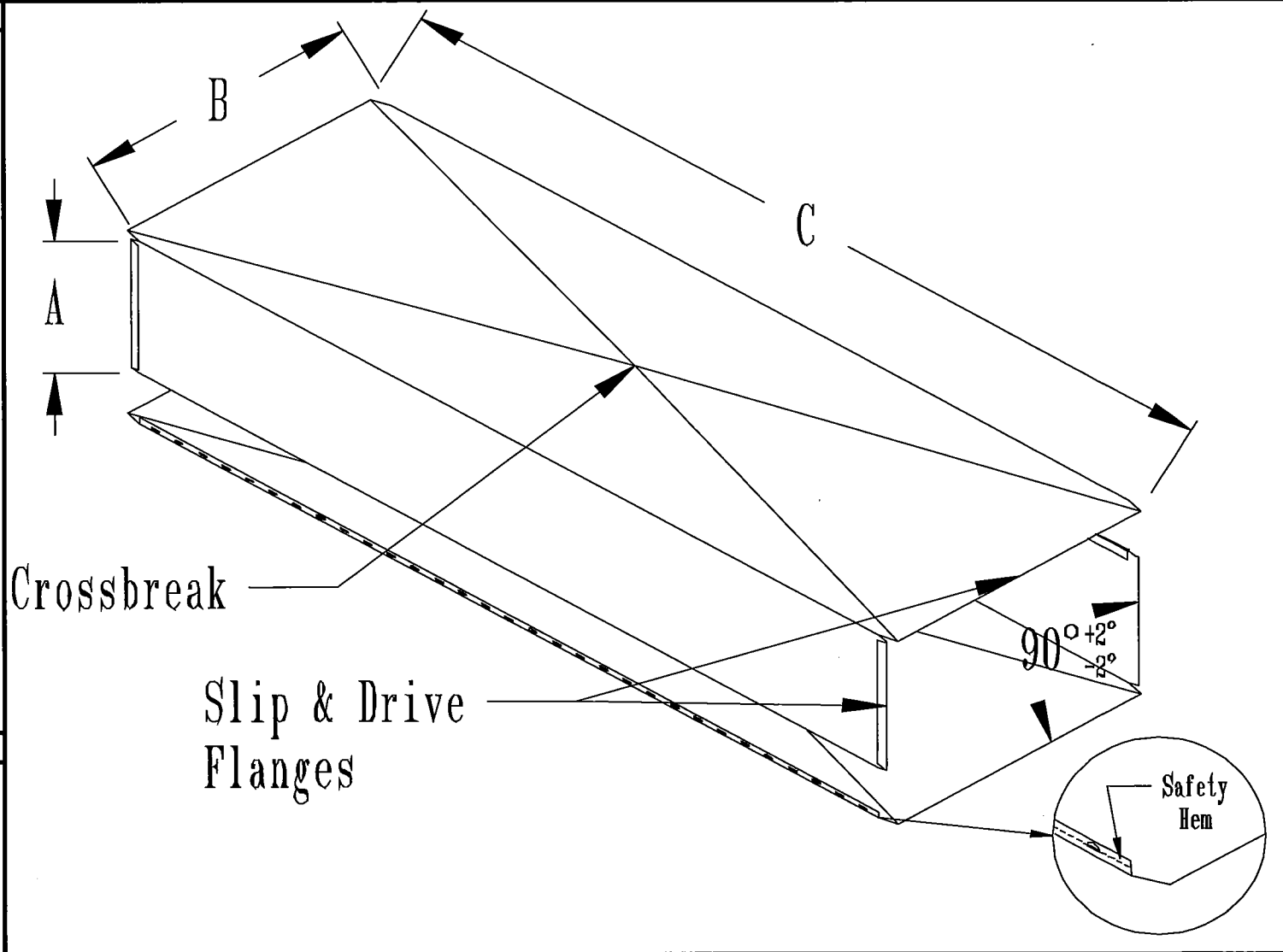
DATE: 10-7-13 PAGE: 1
 PREPARED BY: RL

MODEL NO. 153

DUCT

STANDARD MODEL

SIZE			GAUGES AVAILABLE
A	x	B x C	
6"	x	8" x 48"	26
6"	x	8" x 60"	26
6"	x	10" x 36"	26
6"	x	10" x 48"	26
6"	x	12" x 48"	26
6"	x	12" x 60"	26
6"	x	14" x 48"	26
6"	x	16" x 48"	26
6"	x	16" x 60"	26
6"	x	20" x 48"	26
6"	x	20" x 60"	26
6"	x	24" x 48"	24
6"	x	24" x 48"	26
6"	x	30" x 60"	26
8"	x	8" x 36"	28
8"	x	8" x 48"	28, 26, 24
8"	x	8" x 60"	28, 26
8"	x	8" x 96"	28
8"	x	10" x 36"	28
8"	x	10" x 48"	28, 26, 24
8"	x	10" x 60"	28, 26
8"	x	10" x 96"	28, 26



MATERIAL SPECIFICATIONS

HOT DIPPED GALVANIZED STEEL.
 PER ASTM A 653 CSB.

OPTIONS

BEADED DUCT AVAILABLE

JOB: _____
 LOCATION: _____
 CONTRACTOR: _____
 ENGINEER: _____
 NOTES: _____



325 COMMERCE DRIVE
 MT VERNON, OH 43050
 800-253-8236

SPECIFICATION DATA SHEET

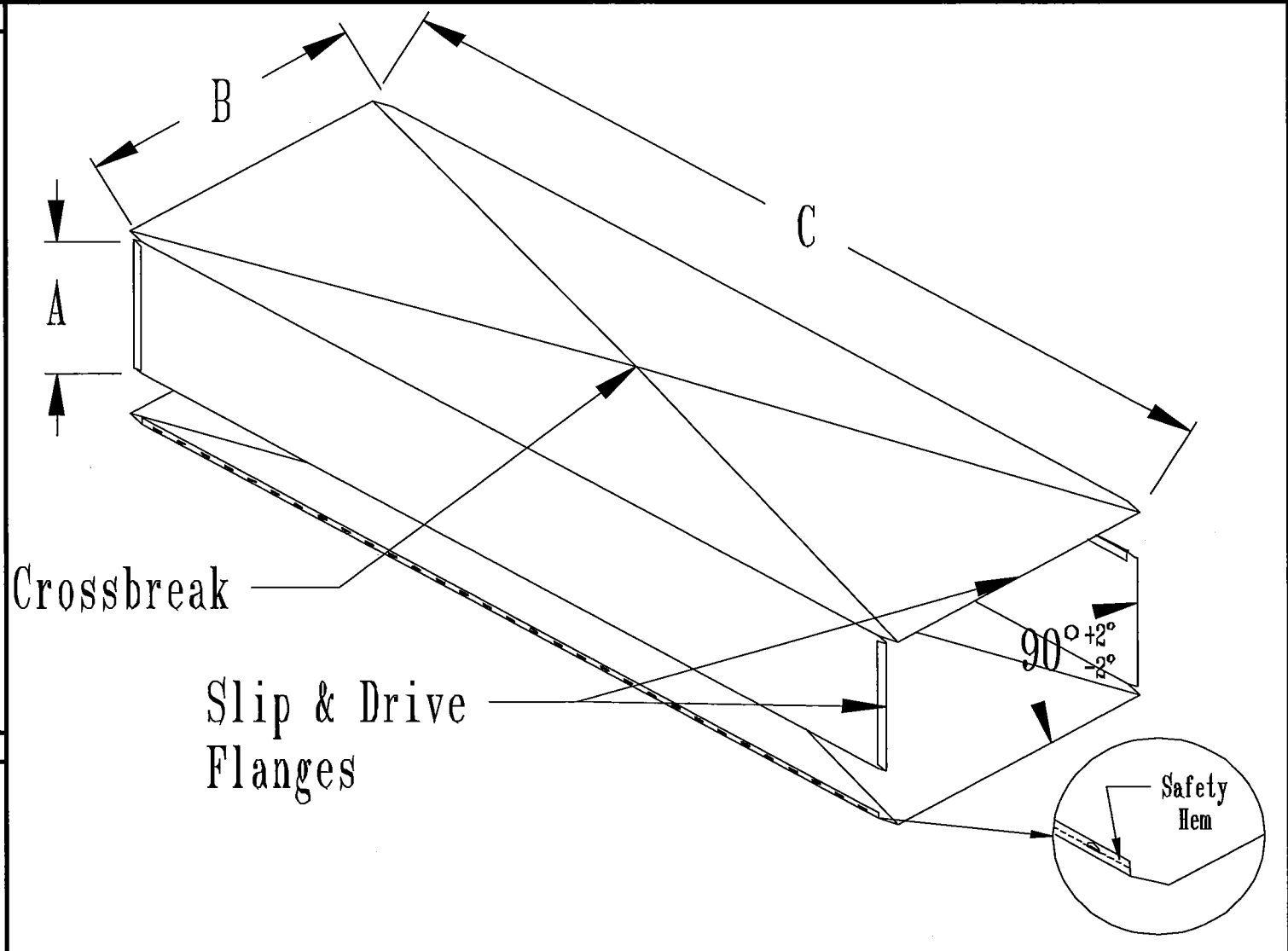
DATE: 10-7-13 PAGE: 2
 PREPARED BY: RL

MODEL NO. 153

DUCT

STANDARD MODEL

SIZE			GAUGES AVAILABLE
A	x B	x C	
8"	x 12"	x 36"	28
8"	x 12"	x 48"	28, 26
8"	x 12"	x 60"	28, 26
8"	x 12"	x 96"	28, 26
8"	x 14"	x 36"	28
8"	x 14"	x 48"	28, 26
8"	x 14"	x 60"	28, 26
8"	x 14"	x 96"	28, 26
8"	x 16"	x 36"	26
8"	x 16"	x 48"	28, 26
8"	x 16"	x 60"	28, 26
8"	x 16"	x 96"	28, 26
8"	x 18"	x 36"	26
8"	x 18"	x 48"	26
8"	x 18"	x 60"	26
8"	x 18"	x 96"	26
8"	x 20"	x 36"	26
8"	x 20"	x 48"	28, 26
8"	x 20"	x 60"	26
8"	x 20"	x 96"	26
8"	x 22"	x 36"	26
8"	x 22"	x 48"	26



MATERIAL SPECIFICATIONS

HOT DIPPED GALVANIZED STEEL.
 PER ASTM A 653 CSB.

OPTIONS

BEADED DUCT AVAILABLE

JOB: _____
 LOCATION: _____
 CONTRACTOR: _____
 ENGINEER: _____
 NOTES: _____



325 COMMERCE DRIVE
 MT VERNON, OH 43050
 800-253-8236

SPECIFICATION DATA SHEET

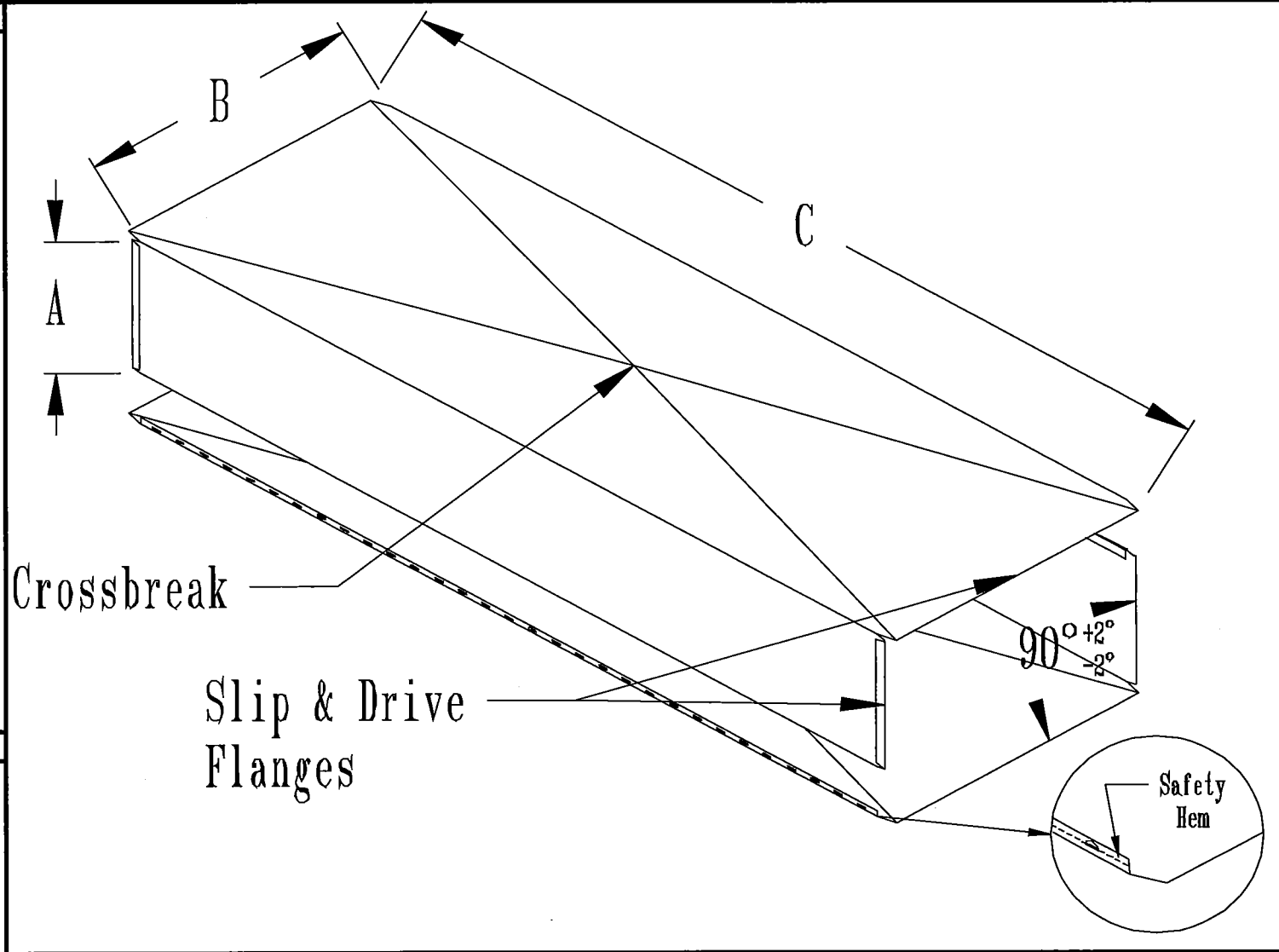
DATE: 10-7-13 PAGE: 3
 PREPARED BY: RL

MODEL NO. 153

DUCT

STANDARD MODEL

SIZE			GAUGES AVAILABLE
A	x B	x C	
8"	x 22"	x 60"	26
8"	x 22"	x 96"	26
8"	x 24"	x 36"	26
8"	x 24"	x 48"	26
8"	x 24"	x 60"	26, 24
8"	x 24"	x 96"	26
8"	x 26"	x 36"	26
8"	x 26"	x 48"	26
8"	x 26"	x 60"	26
8"	x 28"	x 36"	26
8"	x 28"	x 48"	26
8"	x 28"	x 60"	26
8"	x 28"	x 96"	26
8"	x 30"	x 36"	26
8"	x 30"	x 48"	26
8"	x 30"	x 60"	26
8"	x 30"	x 96"	26
8"	x 32"	x 36"	26
8"	x 32"	x 48"	26
10"	x 10"	x 48"	28, 26, 24
10"	x 10"	x 60"	28
10"	x 10"	x 96"	28, 26



MATERIAL SPECIFICATIONS

HOT DIPPED GALVANIZED STEEL.
 PER ASTM A 653 CSB.

OPTIONS

BEADED DUCT AVAILABLE

JOB: _____
 LOCATION: _____
 CONTRACTOR: _____
 ENGINEER: _____
 NOTES: _____



325 COMMERCE DRIVE
 MT VERNON, OH 43050
 800-253-8236

SPECIFICATION DATA SHEET

DATE: 10-7-13 PAGE: 4
 PREPARED BY: RL

MODEL NO. 153

DUCT

STANDARD MODEL

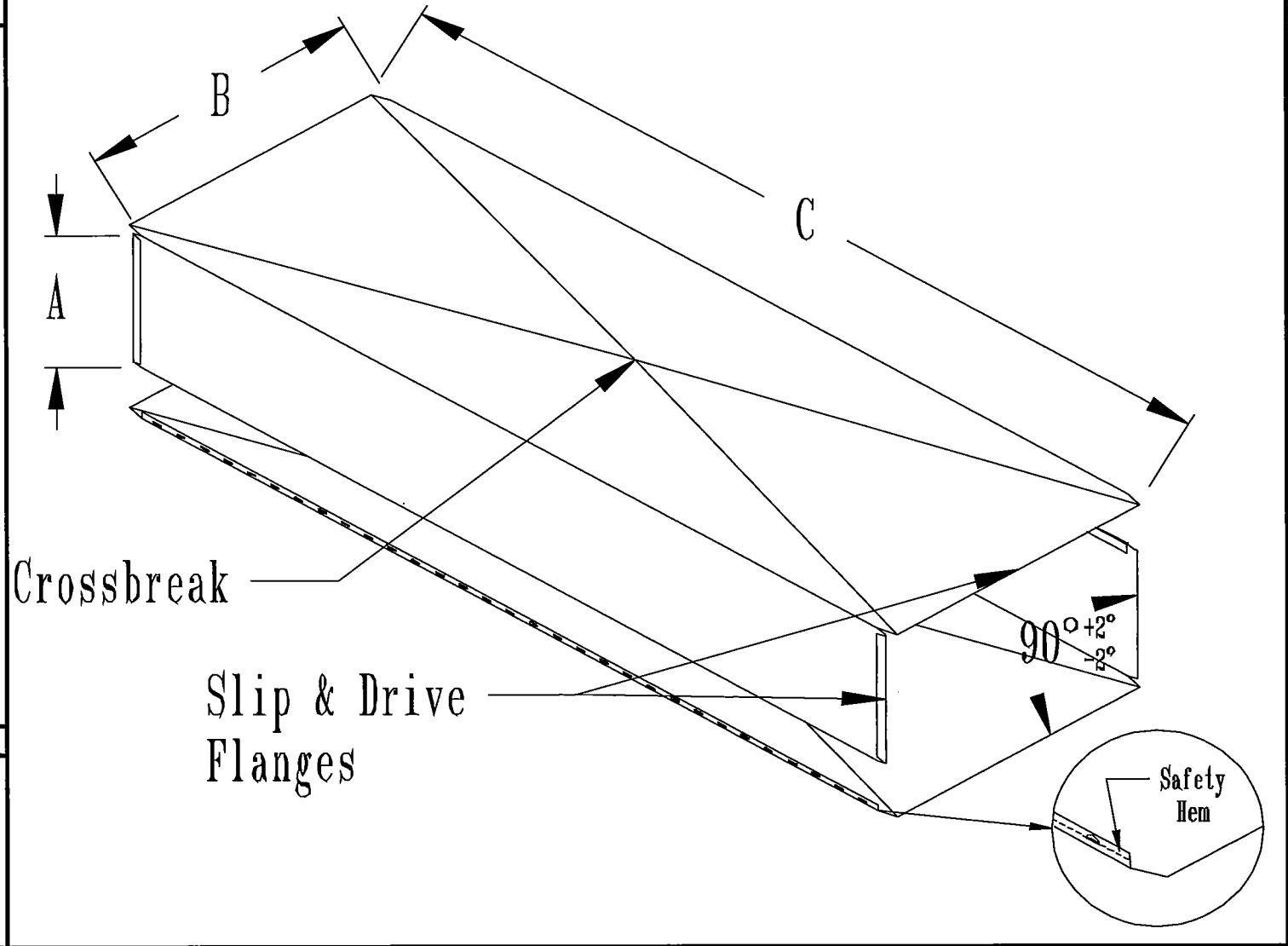
SIZE			GAUGES AVAILABLE
A	x B	x C	
10"	x 12"	x 48"	28, 26, 24
10"	x 12"	x 60"	28, 26
10"	x 12"	x 96"	28, 26
10"	x 14"	x 32"	28
10"	x 14"	x 36"	28
10"	x 14"	x 48"	28, 26
10"	x 14"	x 60"	28, 26
10"	x 14"	x 96"	28, 26
10"	x 16"	x 48"	26, 24
10"	x 16"	x 60"	26
10"	x 16"	x 96"	26
10"	x 18"	x 48"	26, 24
10"	x 18"	x 60"	26
10"	x 18"	x 96"	26
10"	x 20"	x 36"	26
10"	x 20"	x 48"	26, 24
10"	x 20"	x 60"	26, 24
10"	x 20"	x 96"	26
10"	x 22"	x 48"	26
10"	x 22"	x 60"	26
10"	x 22"	x 96"	26
10"	x 24"	x 36"	26, 24

MATERIAL SPECIFICATIONS

HOT DIPPED GALVANIZED STEEL.
 PER ASTM A 653 CSB.

OPTIONS

BEADED DUCT AVAILABLE



JOB: _____
 LOCATION: _____
 CONTRACTOR: _____
 ENGINEER: _____
 NOTES: _____



325 COMMERCE DRIVE
 MT VERNON, OH 43050
 800-253-8236

SPECIFICATION DATA SHEET

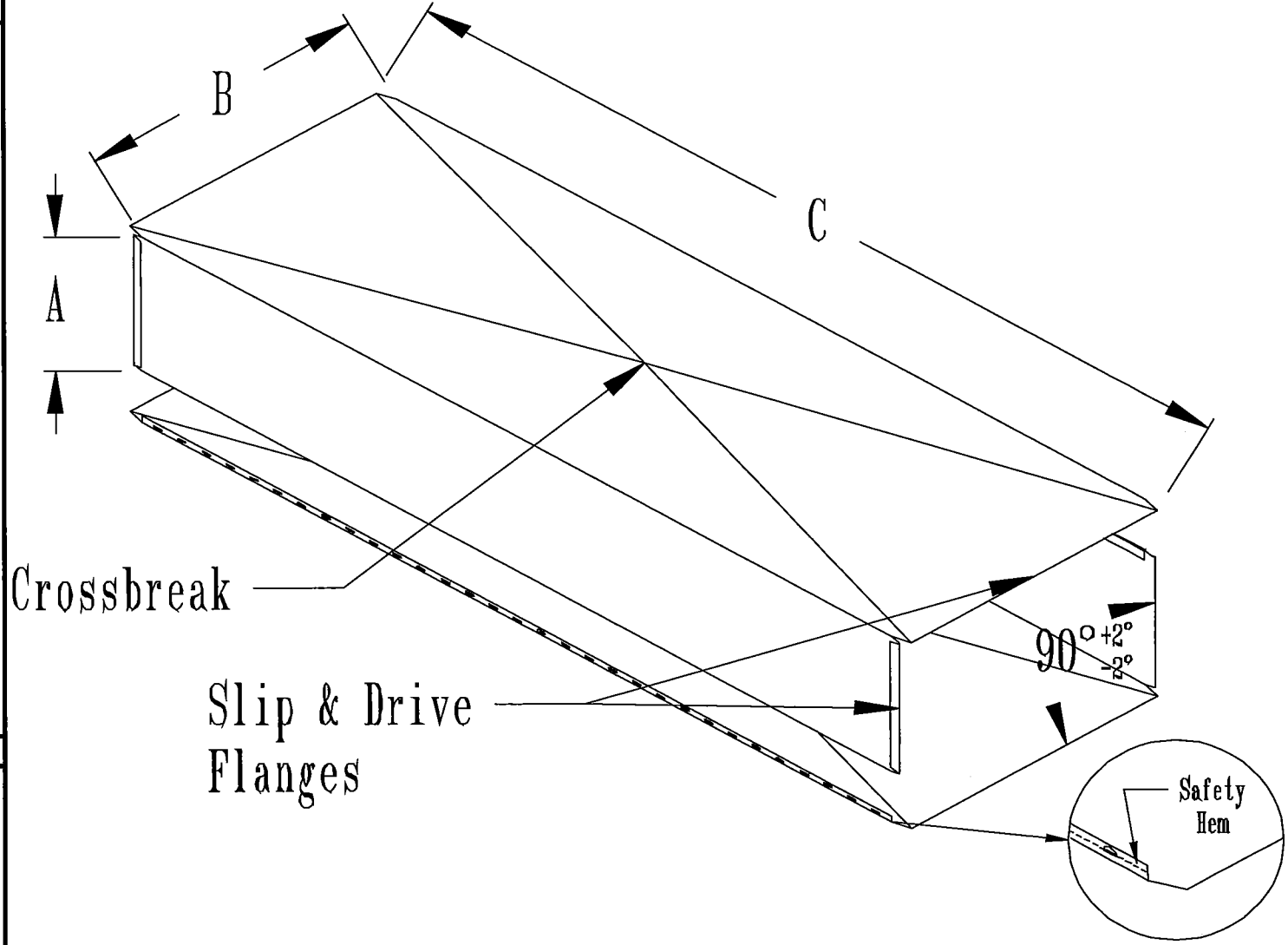
DATE: 10-7-13 PAGE: 5
 PREPARED BY: RL

MODEL NO. 153

DUCT

STANDARD MODEL

SIZE			GAUGES AVAILABLE
A	x B	x C	
10"	x 24"	x 48"	26
10"	x 24"	x 60"	26, 24
10"	x 24"	x 96"	26
10"	x 25"	x 32"	26
10"	x 25"	x 36"	26
10"	x 25"	x 48"	26
10"	x 25"	x 60"	26
10"	x 26"	x 48"	26
10"	x 26"	x 60"	26
10"	x 28"	x 48"	26
10"	x 28"	x 60"	26
10"	x 28"	x 96"	26
10"	x 30"	x 48"	26, 24
10"	x 30"	x 60"	26
12"	x 12"	x 36"	26
12"	x 12"	x 48"	26
12"	x 12"	x 60"	28, 26
12"	x 12"	x 96"	28
12"	x 14"	x 48"	28, 26
12"	x 14"	x 60"	28, 26
12"	x 14"	x 96"	28
12"	x 16"	x 48"	26



MATERIAL SPECIFICATIONS

HOT DIPPED GALVANIZED STEEL.
 PER ASTM A 653 CSB.

OPTIONS

BEADED DUCT AVAILABLE

JOB: _____
 LOCATION: _____
 CONTRACTOR: _____
 ENGINEER: _____
 NOTES: _____



325 COMMERCE DRIVE
 MT VERNON, OH 43050
 800-253-8236

SPECIFICATION DATA SHEET

DATE: 10-7-13 PAGE: 6
 PREPARED BY: RL

MODEL NO. 153

DUCT

STANDARD MODEL

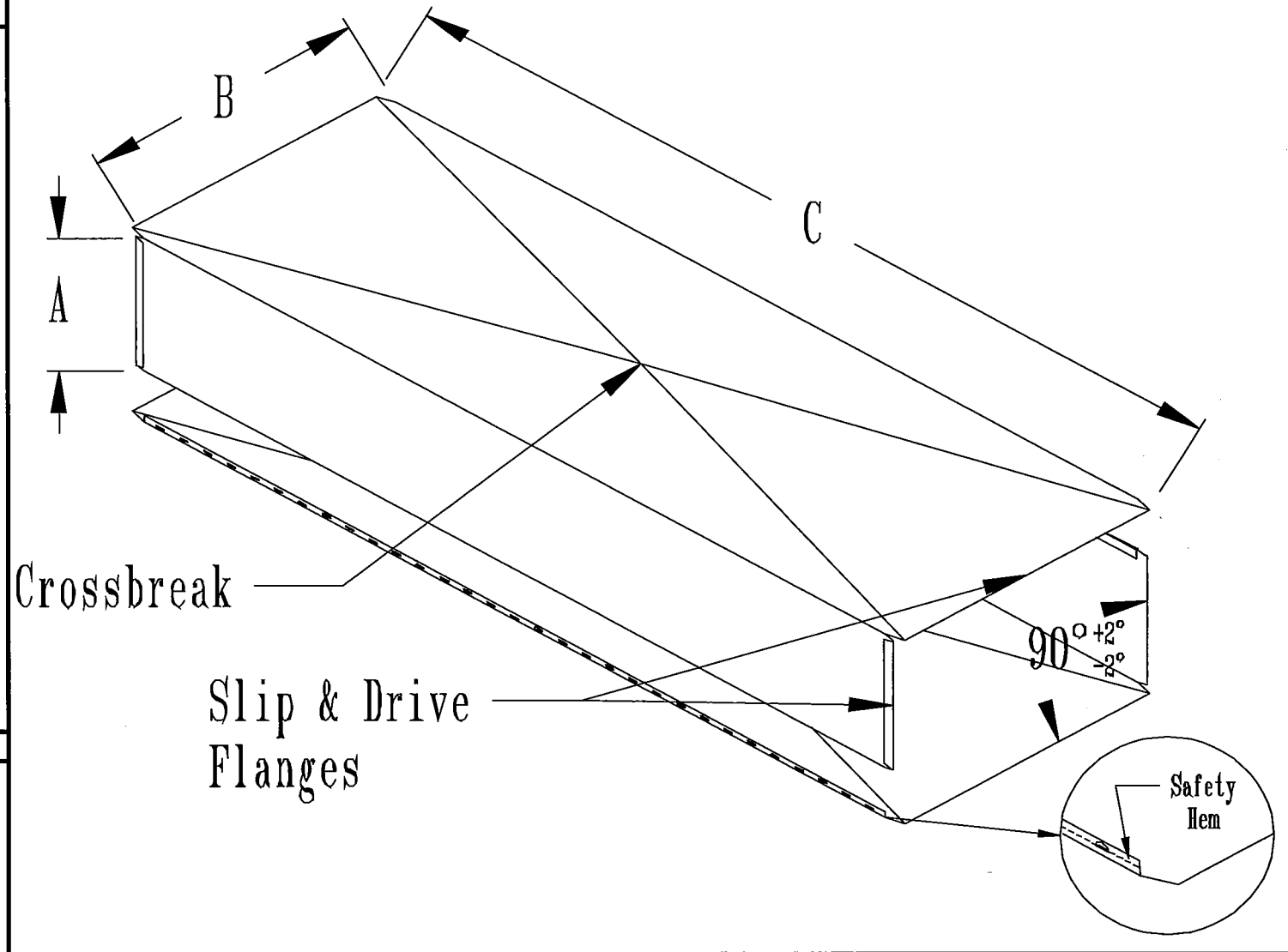
SIZE			GAUGES AVAILABLE
A	x B	x C	
12"	x 16"	x 60"	26
12"	x 16"	x 96"	26
12"	x 18"	x 48"	26
12"	x 18"	x 60"	26
12"	x 20"	x 48"	26, 24
12"	x 20"	x 60"	26
12"	x 20"	x 96"	26
12"	x 22"	x 48"	26
12"	x 22"	x 60"	26
12"	x 24"	x 36"	26, 24
12"	x 24"	x 48"	26, 24
12"	x 24"	x 60"	26, 24
12"	x 24"	x 96"	26
12"	x 25"	x 48"	26
12"	x 25"	x 60"	26
12"	x 26"	x 60"	26
12"	x 26"	x 96"	24
12"	x 28"	x 48"	26
14"	x 14"	x 36"	26
14"	x 14"	x 48"	26
14"	x 14"	x 60"	28, 26
14"	x 16"	x 48"	26

MATERIAL SPECIFICATIONS

HOT DIPPED GALVANIZED STEEL.
 PER ASTM A 653 CSB.

OPTIONS

BEADED DUCT AVAILABLE



JOB: _____
 LOCATION: _____
 CONTRACTOR: _____
 ENGINEER: _____
 NOTES: _____



325 COMMERCE DRIVE
 MT VERNON, OH 43050
 800-253-8236

SPECIFICATION DATA SHEET

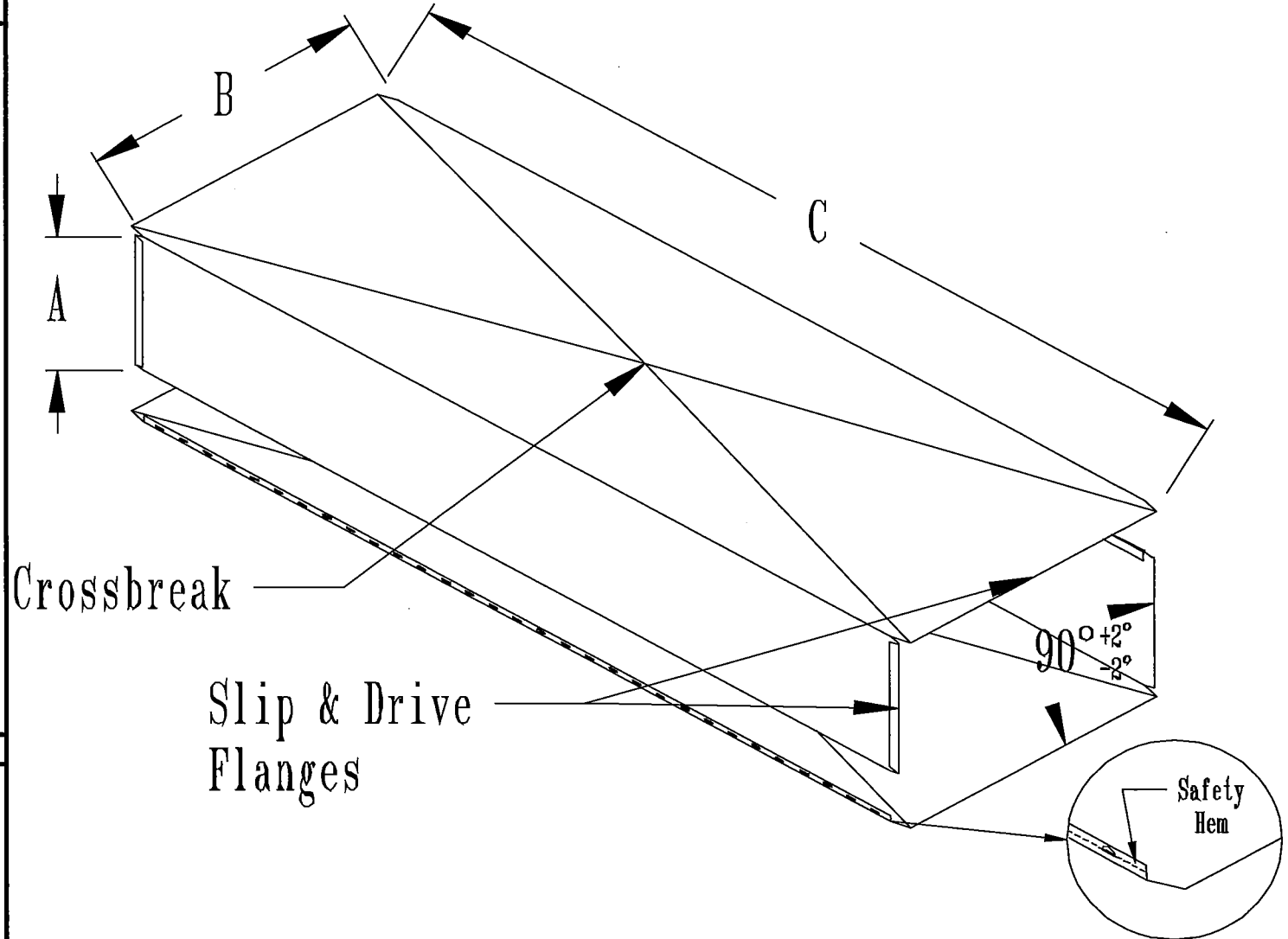
DATE: 10-7-13 PAGE: 7
 PREPARED BY: RL

MODEL NO. 153

DUCT

STANDARD MODEL

SIZE			GAUGES AVAILABLE
A	x B	x C	
14"	x 16"	x 60"	26
14"	x 20"	x 48"	26
14"	x 24"	x 36"	24
14"	x 24"	x 48"	26
14"	x 25"	x 60"	26
16"	x 16"	x 60"	26
16"	x 24"	x 60"	26
16"	x 20"	x 48"	26
18"	x 18"	x 60"	26
18"	x 20"	x 48"	26
20"	x 20"	x 60"	26



MATERIAL SPECIFICATIONS

HOT DIPPED GALVANIZED STEEL.
 PER ASTM A 653 CSB.

OPTIONS

BEADED DUCT AVAILABLE

JOB: _____
 LOCATION: _____
 CONTRACTOR: _____
 ENGINEER: _____
 NOTES: _____