



325 COMMERCE DRIVE
 MT VERNON, OH 43050
 800-253-8236

SPECIFICATION DATA SHEET

DATE: 9-9-13
 PREPARED BY: RL

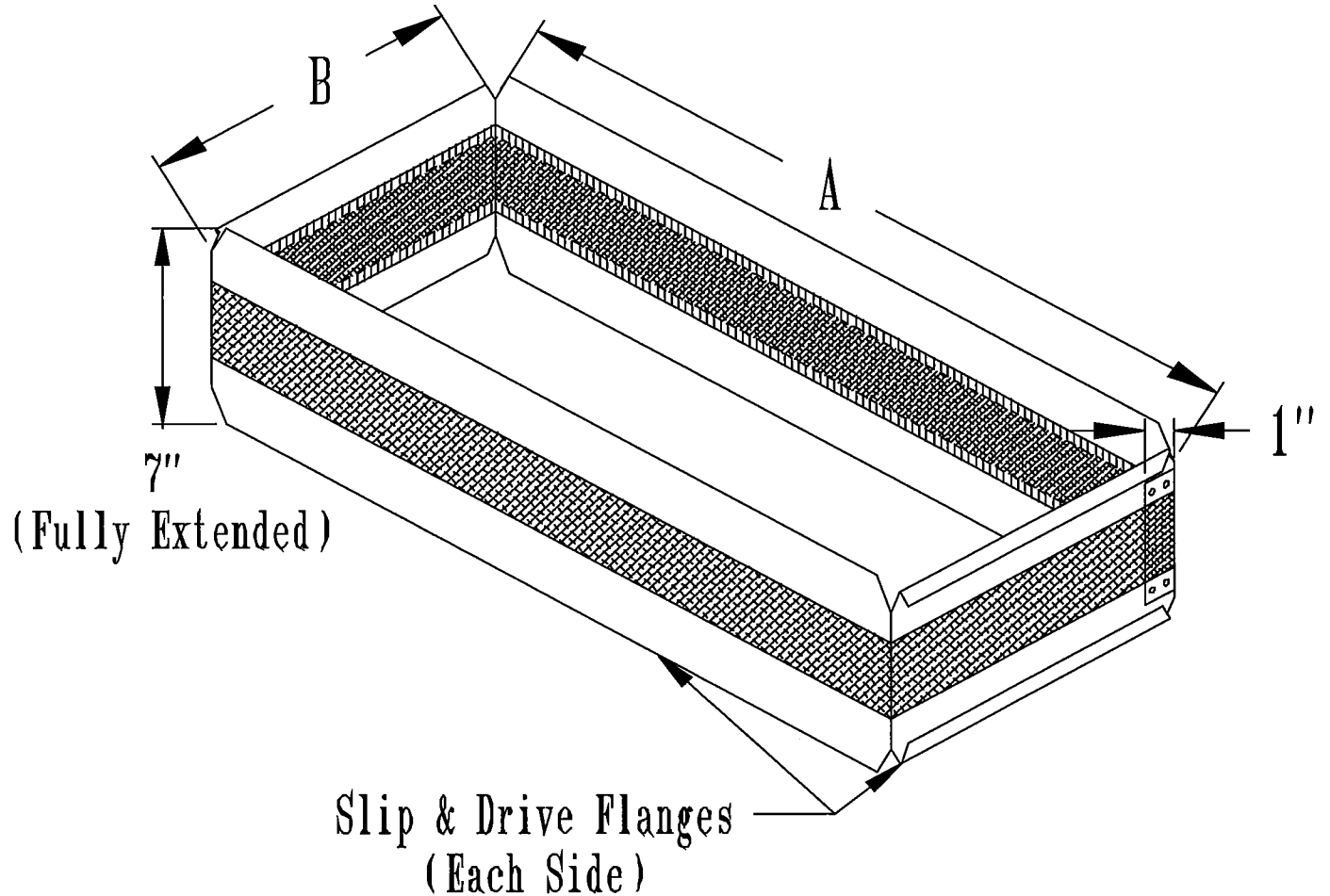
MODEL NO. 086

Canvas Connector

STANDARD MODEL

DIMENSIONS

SIZE	A	B
10x8	10"	8"
16x16	16"	16"
20x8	20"	8"
20x10	20"	10"
19 1/2x16 1/4	19 1/2"	16 1/4"
20x16	20"	16"
24x8	24"	8"
24x12	24"	12"
24x10	24"	10"
25x10	25"	10"



MATERIAL SPECIFICATIONS

STEEL SECTION IS 28 GAUGE GALVANIZED
 STEEL MEETING ASTM-A-526 G 60

FABRIC SECTION IS VINYL COATED WOVEN
 NYLON/POLYESTER BLEND

STEEL AND FABRIC ARE CONNECTED WITH
 A GRIP LOC SEAM

ASSEMBLED WITH 1/8" ZINC COATED RIVETS.

OPTIONS

JOB: _____
 LOCATION: _____
 CONTRACTOR: _____
 ENGINEER: _____
 NOTES: _____