



325 COMMERCE DRIVE
 MT VERNON, OH 43050
 800-253-8236

**SPECIFICATION
 DATA SHEET**

DATE: 7-28-11
 PREPARED BY: RL

**MODEL NO. 150
 ADJUSTABLE ELBOW**

STANDARD MODEL

DIMENSIONS

SIZE	A	B	C	D	GAGES AVAIL.
3"	3"	3 1/2"	3 1/2"	6 1/2"	STD,28,26
4"	4"	3"	3"	7"	STD,28,26,24
5"	5"	3"	3"	8"	STD,28,26,24
6"	6"	3"	3"	9"	STD,28,26,24
7"	7"	3"	3"	10"	STD,28,26,24
8"	8"	3"	3"	11"	STD,28,26,24
9"	9"	3 1/2"	3 1/2"	12 1/2"	28,26,24
10"	10"	4"	4"	14"	28,26,24
12"	12"	4 1/4"	4 1/4"	16 1/4"	28,26,24
14"	14"	4 1/2"	4 1/2"	18 1/2"	28,26,24
16"	16"	4 1/4"	4 1/4"	20 1/4"	26,24
18"	18"	3 1/2"	3 1/2"	21 1/2"	26,24
20"	20"	3 1/2"	3 1/2"	23 1/2"	26,24
22"	22"	3 1/4"	3 1/4"	25 1/4"	24
24"	24"	3 1/4"	3 1/4"	27 1/4"	24

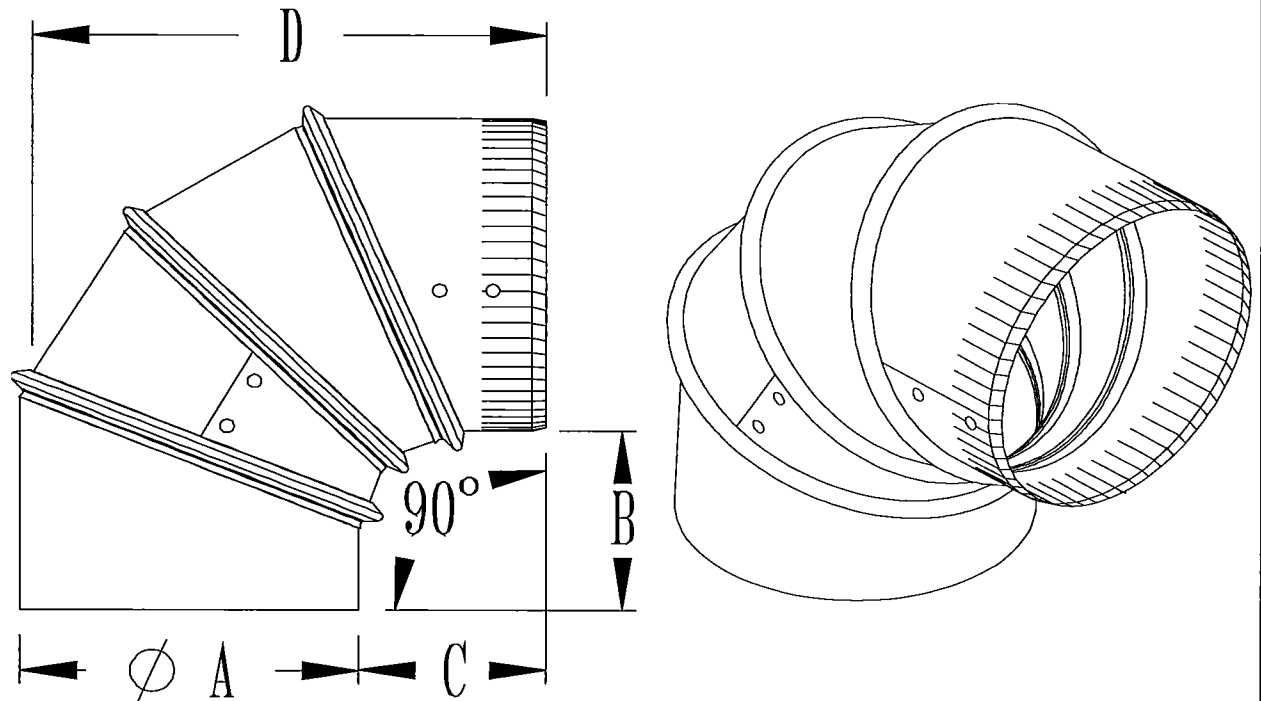
MATERIAL SPECIFICATIONS

HOT DIPPED GALVANIZED STEEL.
 PER ASTM A 653 CSB.

ASSEMBLED WITH 1/8" ZINC COATED RIVETS.

OPTIONS

4", 5", 6", 7" & 8" AVAILABLE IN 24 GAUGE BLACK



JOB: _____
 LOCATION: _____
 CONTRACTOR: _____
 ENGINEER: _____
 NOTES: _____