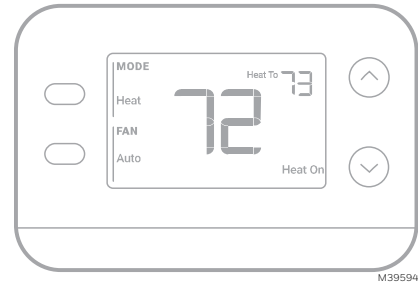


Honeywell Home

FocusPRO® N100 Series Thermostat

Installation Manual

READ BEFORE INSTALLING



Package Includes:

- FocusPRO N100 Series Thermostat
- UWP™ Wall Plate
- Decorative Cover Plate with J-Box Adapter
- Screws and Anchors
- 2 AA Batteries
- Thermostat Literature

TH1110U4000 N100 Non-Programmable
TH1320U4002 N100 Non-Programmable

Compatibility

TH1110U4000 models compatible with 24 VAC, single-stage heating and cooling systems including:

- Heat pumps without auxiliary heat
- Gas/oil/electric forced air
- Single stage cooling
- Radiant Hydronic heat
- Hot water coil
- 750 MV

TH1320U4002 models compatible with most 24 VAC heating and cooling systems including:

- Heat pumps with 1 or 2 compressor stages and auxiliary heat
- Dual fuel
- 1 or 2 stage Gas/oil/electric forced air
- 1 or 2 stage cooling
- Radiant Hydronic Heat
- Hot water coil
- 750 MV
- S terminals for C7089U1006 wired outdoor sensor (used for Aux Heat lockout or balance point on heat pump systems).

Introduction

This document discusses the following topics (click to jump to those sections):

- [UWP Wall Plate Installation](#)
- [Power Options](#)
- [Wiring Diagrams](#)
- [Thermostat Mounting](#)
- [Configuration/Settings](#)
- [Compressor Protection](#)
- [Accent Piece Installation/Replacement](#)
- [Battery Replacement](#)
- [Troubleshooting](#)
- [Specifications](#)

Contents [\(click to jump to that page\)](#)

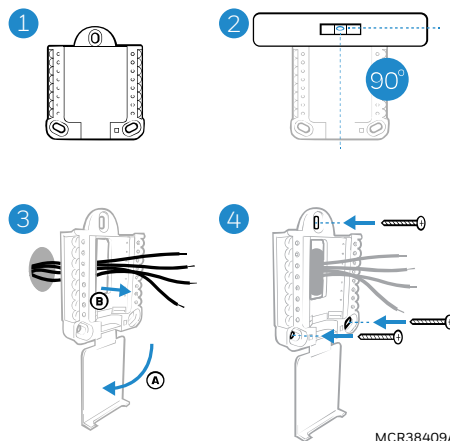
Introduction.....	1
UWP Wall Plate Installation.....	3
Optional Cover Plate Installation.....	3
Power options.....	3
Setting Slider Tabs.....	4
Wiring terminal designations.....	4
Wiring Diagrams.....	5
Heat Only: Gas or Oil Furnace.....	5
Cool Only.....	5
Hot Water Boiler, Heat Only.....	5
1H/1C: Gas Furnace.....	5
2 Transformer System, 1H/1C: Oil Furnace with Air Conditioning.....	6
2 Transformer System, Hot Water Heat with Air Conditioning (or Hot Water Coil).....	6
2H/1C: Gas Furnace.....	6
2H/2C: Gas Furnace.....	6
Hot Water Heat with Power Open Zone Valve.....	7
Hot Water Heat with Power Open/Power Closed Series 20 Zone Valve.....	7
1H/1C: Heat Pump without Aux Heat.....	7
2H/1C: Heat Pump with Electric Aux Heat.....	7
3H/2C: Heat Pump with Electric Aux Heat.....	8
Dual Fuel, 2H/1C: Heat Pump.....	8
Dual Fuel 3H/2C: Heat Pump.....	9
Thermostat Mounting.....	9
Configuration and Settings.....	9
Installer Options.....	9
Installer Test.....	13
System Operation Settings.....	13
Fan Operation Settings.....	13
Auto Changeover.....	14
Alerts.....	14
Replace Filter Reminder.....	14
Built-in compressor protection.....	15
Accent Piece Installation/Replacement.....	15
Battery Replacement.....	16
Troubleshooting.....	17
Specifications.....	18
Electrical Ratings.....	18
Customer Assistance.....	19
5-year limited warranty.....	19

Throughout the document, you'll see jumps to different locations in the text. Here's an example:
See [Setting Slider Tabs](#). Click on the text link to go directly to that location.

UWP Wall Plate Installation

If the cover plate is used, the UWP snaps on the cover plate as shown here.

- 1 Before starting, turn the power off at the breaker box or switch. Open the package to find the UWP. See Figure 1.
- 2 Position the UWP on wall. Level and mark hole positions. See Figure 2.
- 3 Using a 3/16" bit, drill holes at marked positions and then lightly tap the supplied wall anchors into the wall using a hammer.
- 4 Pull the door open and insert the wires through wiring hole of the UWP. See Figure 3.
- 5 Place the UWP over the wall anchors. Insert and tighten mounting screws supplied with the UWP. Do not overtighten. Tighten until the UWP no longer moves. Close the door. See Figure 4.



MCR38409A

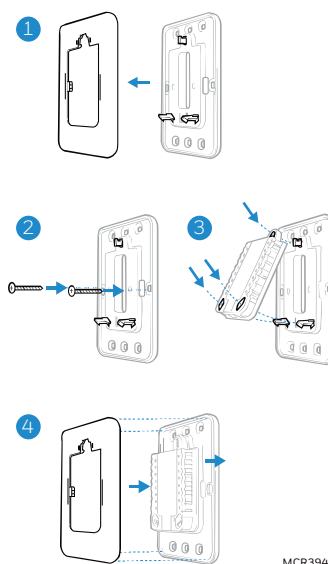
Use 3x supplied #6 1-1/2" screws

Optional Cover Plate Installation

If the Optional Cover Plate is not required, see **UWP Wall Plate Installation**.

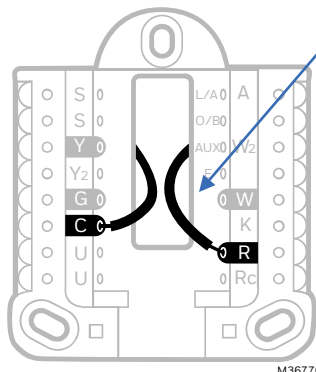
Use the Optional Cover Plate when you need to cover a paint gap from the old thermostat.

- 1 Separate the Cover Plate from Mounting Plate (Figure 1).
- 2 Mount the Mounting Plate on to the wall or J-box using any of the 8 screw holes. Insert and tighten mounting screws supplied with Cover Plate Kit. Do not overtighten. See Figure 2. Make sure the Mounting Plate is level.
- 3 Attach the UWP by hanging it on the top hook of the Mounting Plate and then snapping the bottom of the UWP in place. See Figure 3.
- 4 Snap the Cover Plate onto the Mounting Plate. See Figure 4.



MCR39488

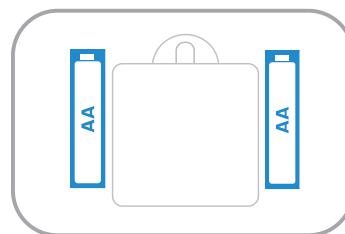
Power options



M36776

Insert **R** and **C** wires into designated terminals for primary AC power. (C terminal is **optional** if batteries are installed but is **recommended**). Remove wires by pressing down on the terminal tabs.

Thermostats using Y and G wires: If there is no C wire from the previous thermostat or no extra wire in the bundle to the thermostat, you may use the **THP9045A** C-wire adapter (sold separately).



MCR39489

Insert AA batteries for primary or backup power

For more information on the THP9045A C-wire adapter, go to: <https://customer.resideo.com/resources/TechLit/TechLitDocuments/33-00000s/33-00618.pdf>

Setting Slider Tabs

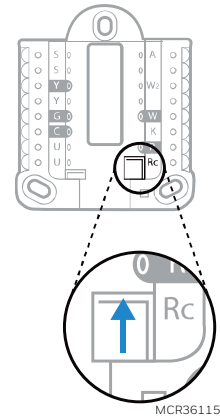
Set R Slider Tab

Use built-in jumper (R Slider Tab) to differentiate between one or two transformer systems.

- If there is only one R wire, and it is connected to the R, Rc, or RH terminal, set the slider to the up position (1 wire).
- If there is one wire connected to the R terminal and one wire connected to the Rc terminal, set the slider to the down position (2 wires).

Slider Tabs for U terminals should be left in place for FocusPRO N100 models.

UWP Wall Plate



R/Rc slider tab

Wiring terminal designations

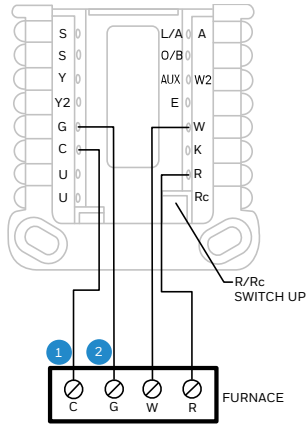
S	C7089U1006 wired outdoor sensor (TH1320U4002 only)	L/A - A	Heat Pump fault input	<p>MCR39537</p>
S		O/B	Changeover valve	
Y	Compressor contactor (stage 1)	AUX -W2	Auxiliary heat Heat (stage 2) (TH1320U4002 only)	<p>The most commonly used terminals are shaded in the illustration above.</p>
Y2	Compressor contactor (stage 2) (TH1320U4002 only)	E	Emergency Heat (TH1320U4002 only)	
G	Fan	W	Heat (stage 1)	
C	24VAC common. For 2-transformer systems, use Common wire from cooling transformer.	K	To THP9045A C-Wire adapter if needed	
U	Not used on these models	R	24VAC power from heating transformer*	
U		Rc	24VAC power from cooling transformer*	

* Terminal can be jumped using Slider Tab. See **Setting Slider Tabs**.

Wiring Diagrams

Heat Only: Gas or Oil Furnace

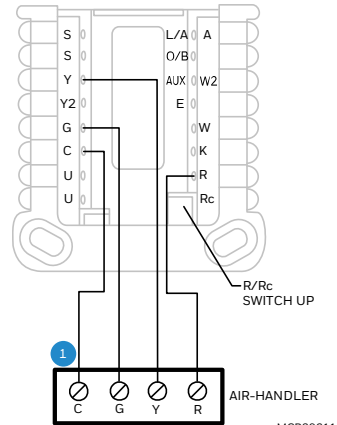
Compatible models: All N100



MCR39610

Cool Only

Compatible models: All N100



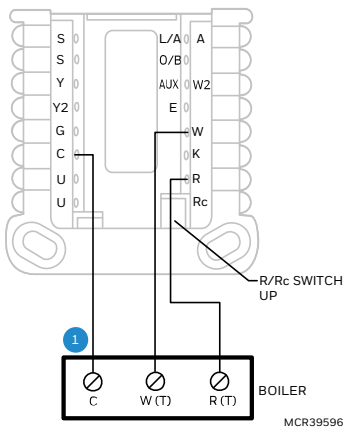
MCR39611

- 1: COMMON OPTIONAL
- 2: G USED FOR INDEPENDENT FAN CONTROL ONLY. (MOST HEAT ONLY, GAS OR OIL FORCED AIR SYSTEMS DO NOT USE A FAN [G] WIRE)

- 1: COMMON OPTIONAL

Hot Water Boiler, Heat Only

Compatible models: All N100

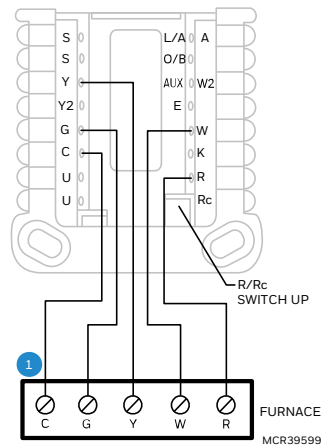


MCR39596

- 1: COMMON OPTIONAL

1H/1C: Gas Furnace

Compatible models: All N100

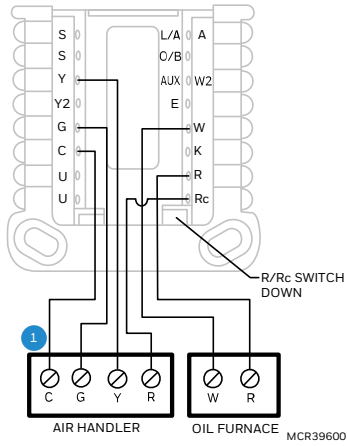


MCR39599

- 1: COMMON OPTIONAL

2 Transformer System, 1H/1C: Oil Furnace with Air Conditioning

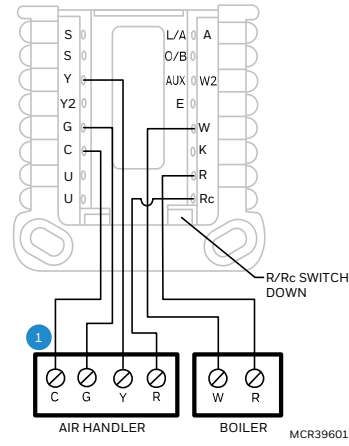
Compatible models: All N100



1: COMMON OPTIONAL

2 Transformer System, Hot Water Heat with Air Conditioning (or Hot Water Coil)

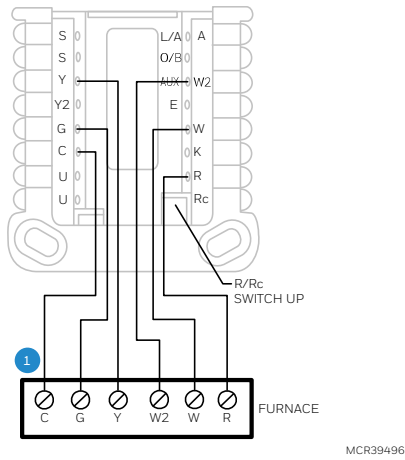
Compatible models: All N100



1: COMMON OPTIONAL

2H/1C: Gas Furnace

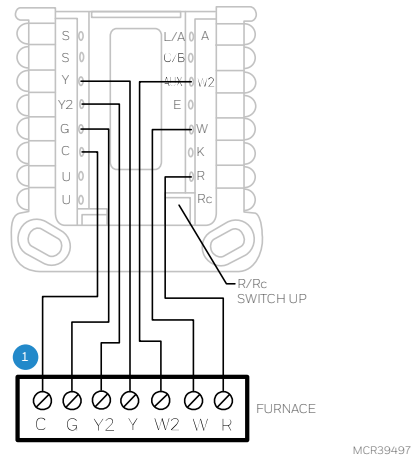
Compatible model: TH1320U4002 models only



1: COMMON OPTIONAL

2H/2C: Gas Furnace

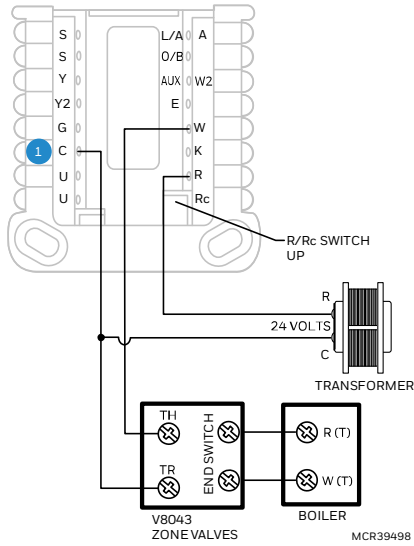
Compatible model: TH1320U4002 models only



1: COMMON OPTIONAL

Hot Water Heat with Power Open Zone Valve

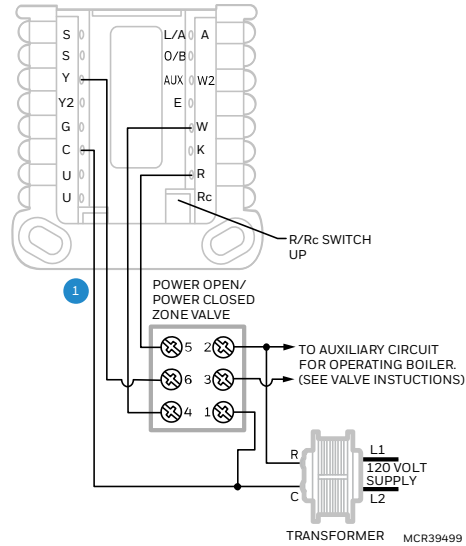
Compatible models: All N100



1: COMMON OPTIONAL TO THERMOSTAT

Hot Water Heat with Power Open/Power Closed Series 20 Zone Valve

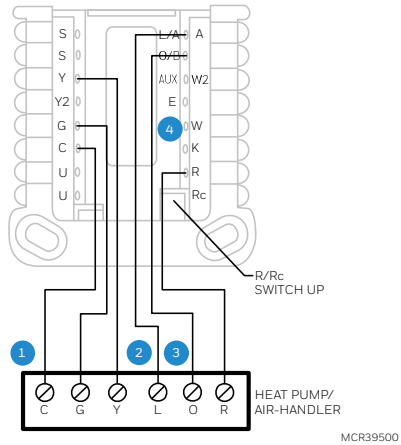
Compatible models: All N100 ²



1: COMMON OPTIONAL TO THERMOSTAT
2: THERMOSTAT MUST BE CONFIGURED FOR RADIANT HEAT WITH 0 (ZERO) COOL STAGES

1H/1C: Heat Pump without Aux Heat

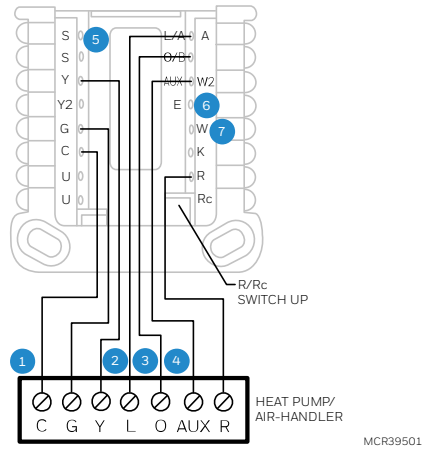
Compatible models: All N100



1: COMMON OPTIONAL
2: L ONLY CONNECTED IF HEAT PUMP HAS A FAULT TERMINAL
3: SOME HEAT PUMPS USE **B** RATHER THAN **O** FOR REVERSING VALVE
4: **IMPORTANT: DO NOT CONNECT ANY WIRE TO W FOR HEAT PUMP APPLICATIONS! THIS CAN CAUSE HEAT TO RUN CONTINUOUSLY.**

2H/1C: Heat Pump with Electric Aux Heat

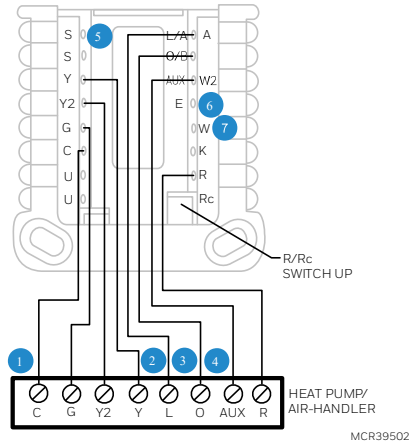
Compatible model: TH1320U4002 models only ⁶



1: COMMON OPTIONAL
2: L IS ONLY CONNECTED IF HEAT PUMP HAS A FAULT TERMINAL
3: SOME HEAT PUMPS USE **B** RATHER THAN **O** FOR REVERSING VALVE
4: DIFFERENT HEAT PUMP MODELS MAY LABEL THE AUXILIARY HEAT TERMINAL DIFFERENTLY THAN SHOWN. CONSULT HEAT PUMP WIRING GUIDE
5: IF LOCKOUT OF AUX HEAT ON HIGH OUTDOOR TEMPERATURE IS REQUIRED, WIRE C7089U1.006 TO THE TWO **S** TERMINALS
6: MOST HEAT PUMPS SHARE THE SAME SET OF HEAT STRIPS FOR **AUX** AND **EM HEAT**. IN THESE CASES, **E** IS NOT USED. MODEL TH1320U4002 CAN BE CONFIGURED FOR SEPARATE **AUX** AND **E**. IN THIS SITUATION, WIRE ONE SET OF STRIPS TO **E** TO BE ENERGIZED IN **EM HEAT** AND A DIFFERENT SET OF STRIPS TO **AUX** TO BE ENERGIZED IN **AUX HEAT**.
7: **IMPORTANT: DO NOT CONNECT ANY WIRE TO W FOR HEAT PUMP APPLICATIONS! THIS CAN CAUSE HEAT TO RUN CONTINUOUSLY.**

3H/2C: Heat Pump with Electric Aux Heat

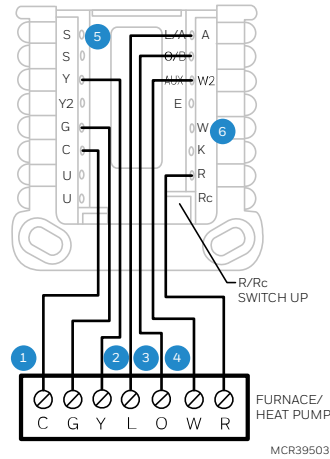
Compatible model: TH1320U4002 only



- 1: COMMON OPTIONAL.
- 2: **L** ONLY CONNECTED IF HEAT PUMP HAS A FAULT TERMINAL.
- 3: SOME HEAT PUMPS USE **B** RATHER THAN **O** FOR REVERSING VALVE.
- 4: DIFFERENT HEAT PUMP MODELS LABEL THE AUXILIARY HEAT TERMINAL DIFFERENTLY THAN SHOWN. CONSULT HEAT PUMP WIRING GUIDE.
- 5: IF LOCKOUT OF **AUX HEAT** ON HIGH OUTDOOR TEMPERATURE IS REQUIRED, WIRE C7089U1006 TO THE TWO **S** TERMINALS.
- 6: MOST HEAT PUMPS SHARE THE SAME SET OF HEAT STRIPS FOR **AUX** AND **EM HEAT**. IN THESE CASES, **E** IS NOT USED. MODEL TH1320U4002 CAN BE CONFIGURED FOR SEPARATE **AUX** AND **E**. IN THIS SITUATION, WIRE ONE SET OF STRIPS TO **E** TO BE ENERGIZED IN **EM HEAT** AND A DIFFERENT SET OF STRIPS TO **AUX** TO BE ENERGIZED IN **AUX HEAT**.
- 7: **IMPORTANT: DO NOT CONNECT ANY WIRE TO W FOR HEAT PUMP APPLICATIONS! THIS CAN CAUSE HEAT TO RUN CONTINUOUSLY.**

Dual Fuel, 2H/1C: Heat Pump

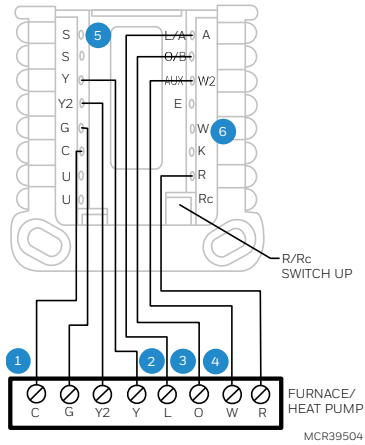
Compatible model: TH1320U4002 only



- 1: COMMON OPTIONAL.
- 2: **L** ONLY CONNECTED IF HEAT PUMP HAS A FAULT TERMINAL.
- 3: SOME HEAT PUMPS USE **B** RATHER THAN **O** FOR REVERSING VALVE.
- 4: THE HEAT PUMP AND FURNACE HAVE SEPARATE BOARDS. THEY ARE SHOWN TOGETHER HERE TO SIMPLIFY THIS DIAGRAM. **W** IS FROM THE FURNACE BOARD.
- 5: WIRE C7089U1006 TO THE TWO **S** TERMINALS.
- 6: **IMPORTANT: DO NOT CONNECT ANY WIRE TO W FOR HEAT PUMP APPLICATIONS! THIS CAN CAUSE HEAT TO RUN CONTINUOUSLY.**

Dual Fuel 3H/2C: Heat Pump

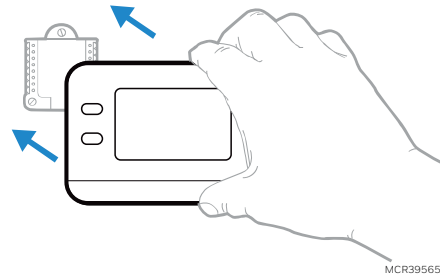
Compatible model: TH1320U4002



- 1: COMMON OPTIONAL.
- 2: **L** ONLY CONNECTED IF HEAT PUMP HAS A FAULT TERMINAL.
- 3: SOME HEAT PUMPS USE **B** RATHER THAN **O** FOR REVERSING VALVE.
- 4: THE HEAT PUMP AND FURNACE HAVE SEPARATE BOARDS. THEY ARE SHOWN TOGETHER HERE TO SIMPLIFY THIS DIAGRAM. **W** IS FROM THE FURNACE BOARD.
- 5: WIRE C7089U1006 TO THE TWO **S** TERMINALS.
- 6: **IMPORTANT: DO NOT CONNECT ANY WIRE TO W FOR HEAT PUMP APPLICATIONS! THIS CAN CAUSE HEAT TO RUN CONTINUOUSLY.**

Thermostat Mounting

- 1 Push excess wire back into the wall opening.
- 2 Close the UWP door. It should remain closed without bulging.
- 3 Align the UWP with the thermostat and push gently until the thermostat snaps into place.
- 4 Turn the power on at the breaker box or switch.

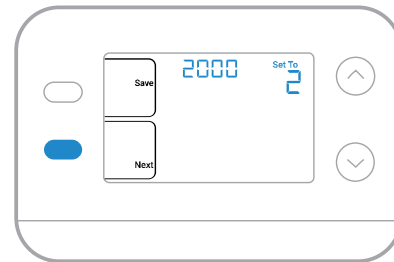
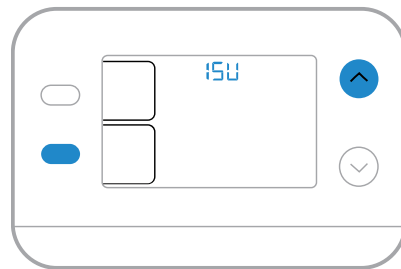


Configuration and Settings

Installer Options

On initial setup the thermostat will enter the ISU menu. If entering the ISU menu after initial setup, follow the steps below:

- 1 Press and **hold** the bottom left button and Up arrow (⬆) button for 5 seconds to access the **INSTALLER SETUP (ISU)**.
- 2 The ISU number is on the left. The ISU setting is on the right.
When an **ISU number** is displayed, press (⬆) or (⬇) to change the setting.
- 3 After choosing the correct setting for an ISU, press **NEXT** to advance to the next ISU setting.
- 4 To finish setup, press the **SAVE** button.



Installer Setup Options (ISU)

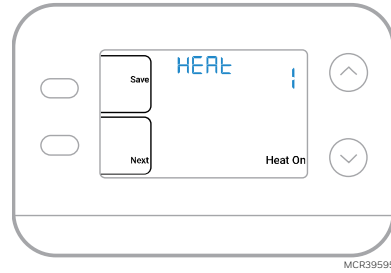
Depending on system settings, not all options may be available		
#ISU	ISU Name	ISU Options (factory defaults are in bold)
1050	Temperature Indication Scale	F = Fahrenheit C = Celsius
1060	Outdoor Sensor (TH1320U4002 only. For lockouts only. Does not display)	0 = None 1 = Wired Outdoor Sensor
2000	Heating System Type	1 = Conventional Forced Air Heat 2 = Heat Pump 3 = Radiant Heat 5 = None (Cool Only)
2010	Heating Equipment Type	<i>Conventional Forced Air Heat:</i> 1 = Standard Efficiency Gas Forced Air 2 = High Efficiency Gas Forced Air 3 = Oil Forced Air 4 = Electric Forced Air 5 = Hot Water Fan Coil <i>Heat Pump:</i> 7 = Air to Air Heat Pump 8 = Geothermal Heat Pump <i>Radiant Heat:</i> 9 = Hot Water Radiant Heat 12 = Steam
2060	Reversing Valve O/B	0= O (O/B in Cool) 1=B (O/B in Heat)
2070	Compressor Stages	0, 1 , 2 Only 1 compressor stage available on TH1110U4000
2071	Heat Stages/Backup Heat Stages	Heat Stages: 1 , 2 Backup Heat Stages: 0, 1 (TH1320U4002 only)
2110	Fan Control in Heat	1 = Equipment Controls Fan 2 = Thermostat Controls Fan (Only shown if 2010 = 4 or 5)
2175	Aux/E terminal control (TH1320U4002 only)	0 = Drive both Aux & E together 1 = Aux and E independent
2180	Backup Heat Source (Heat Pump Only) (TH1320U4002 only)	31 = Electric Forced Air 32 = Standard Efficiency Gas Forced Air
2185	Emergency Heat Source (TH1320U4002 only)	33 = High Efficiency Gas Forced Air 34 = Oil Forced Air, Hot Water Fan Coil 35 = Hot Water Radiant Heat 36 = Other
3000	System Changeover	0 = Manual 1 = Automatic
3015	Auto Changeover Differential	0 °F to 5 °F 0.0 °C to 2.5 °C <i>The Differential setting is the minimum number of degrees from set-point needed to switch from the last mode running (Heat or Cool) to the opposite mode when the thermostat is in auto-changeover.</i>
3020	Finish With High Heat Stage	0 = No 1 = Yes (TH1320U4002 only)
3021	Finish With High Cool Stage	0 = No 1 = Yes (TH1320U4002 only)

#ISU	ISU Name	ISU Options (factory defaults are in bold)	
3090	Backup Heat Droop	0 = Comfort 2 °F to 15 °F (in 1 °F increments) 1.0 °C to 7.5 °C (in 0.5 °C increment). 0 (comfort) setting only available if Backup Heat (ISU 2180) is set to Electric. TH1320U4002 only.	
3110	Upstage Timer for Backup Heat	0 = Off 1 = 30 minutes 2 = 45 minutes 3 = 60 minutes 4 = 75 minutes 5 = 90 minutes 6 = 2 hours 7 = 3 hours	8 = 4 hours 9 = 5 hours 10 = 6 hours 11 = 8 hours 12 = 10 hours 13 = 12 hours 14 = 14 hours 15 = 16 hours
		(TH1320U4002 only) If 3090 = 0 and 2180 = 31, 3110 only has settings 0-3.	
3120	Compressor Lockout / Balance Point (TH1320U4002 only)	0 = Off 1 = -15°F (-26°C) 2 = -10°F (-23.5°C) 3 = -5°F (-20.5°C) 4 = 0°F (-18°C) 5 = 5°F (-15°C) 10 = 10°F (-12°C) 15 = 15°F (-9.5°C) 20 = 20°F (-6.5°C)	25 = 25°F (-4°C) 30 = 30°F (-1°C) 35 = 35°F (1.5°C) 40 = 40°F (4.5°C) 45 = 45°F (7°C) 50 = 50°F (10°C) 55 = 55°F (13°C) 60 = 60°F (15.5°C)
3121	Outdoor Lockout Backup Heat (TH1320U4002 only)	0 = Off 5 = 5°F (-15°C) 10 = 10°F (-12°C) 15 = 15°F (-9.5°C) 20 = 20°F (-6.5°C) 25 = 25°F (-4°C) 30 = 30°F (-1°C)	35 = 35°F (1.5°C) 40 = 40°F (4.5°C) 45 = 45°F (7°C) 50 = 50°F (10°C) 55 = 55°F (13°C) 60 = 60°F (15.5°C) 65 = 65°F (18.5°C)
3125	Lockout Fan after a Cool call	[0] = Off 1 = 5 min 2 = 10 min 3 = 15 min 4 = 20 min 5 = 25 min 6 = 30 min 7 = 35 min 8 = 40 min 9 = 45 min 10 = 50 min 11 = 55 min 12 = 60 min	13 = 65 min 14 = 70 min 15 = 75 min 16 = 80 min 17 = 85 min 18 = 90 min 19 = 95 20 = 100 min 21 = 105 min 22 = 110 min 23 = 115 min 24 = 120 min
3140	Compressor Cycle Rate (Stage 1)	1 – 6	
3141	Compressor Cycle Rate (Stage 2)	1 – 6(TH1320U4002 only)	
3150	Heating Cycle Rate (Stage 1)	1 – 12	
3151	Heating Cycle Rate (Stage 2)	1 – 12 (TH1320U4002 only)	
3160	Heating Cycle Rate Auxiliary Heat	1 – 12 (TH1320U4002 only)	
3165	Heating Cycle Rate Emergency Heat	1 – 12 (TH1320U4002 only)	
3240	Compressor Protection	0 = Off 1 = 5 minutes	
4100	Maximum Cool Setpoint	50°F to 99°F 10°C to 37°C	
4101	Minimum Cool Setpoint	50°F to 99 °F 10.0°C to 37.0 °C	
4102	Maximum Heat Setpoint	40°F to 90°F 4.5°C to 32.0°C	
4103	Minimum Heat Setpoint	32 °F to 50 °F (Default is 40 °F) 0 °C to 10.0 °C (Default is 4.5 °C)	
7110	Air Filter Replacement Reminder	0 = Off 1 = 10 Run Time Days 2 = 20 Run Time Days 3 = 30 Run Time Days 4 = 45 Run Time Days 5 = 60 Run Time Days 6 = 90 Run Time Days 7 = 120 Run Time Days 8 = 150 Run Time Days 9 = 30 Calendar Days	10 = 45 Calendar Days 11 = 60 Calendar Days 12 = 75 Calendar Days 13 = 3 Calendar Months 14 = 4 Calendar Months 15 = 5 Calendar Months 16 = 6 Calendar Months 17 = 9 Calendar Months 18 = 12 Calendar Months 19 = 15 Calendar Months

14003	Backlighting	0 = On Demand 1 = Continuous <i>Common wire needed for Continuous.</i>
14004	Backlight brightness	1 – 5 (<i>Only displayed if Continuous Backlight selected.</i>)
14005	Idle screen selection	0 - Minimum Information shown 2 - Maximum display information shown
14020	Temperature Display Offset	-3 to 3 F (0) -1.5 to 1.5 C (0)

Installer Test

- 1 After finishing the INSTALLER SETUP the N100 enters **INSTALLER TEST** mode.
- 2 The display will show the current test mode. To test the mode displayed, press **↑**. If testing Heat or Cooling on multi-stage equipment, a second press of the **↑** button will indicate a call for Stage 2.
- 3 Press **NEXT** to advance to the next mode in the test menu. Possible settings in the test menu are **Heat**, **Cool**, **Em Heat** and **Fan**.



System Test	System Status	
Shaded areas below apply <u>only</u> to TH1320U4002		
Heat	0	All Off
	1	Heat Stage 1 On
	2	Heat Stage 2 also On
	3	Heat Stage 3 also On
Cool	0	All Off
	1	Cool Stage 1 On
	2	Cool Stage 2 also On
Em Heat	0	All Off
	1	Em Heat On
Fan	0	Fan Off
	1	Fan On

Note: If ISU 1060 is set for a wired outdoor sensor, that sensor reading is shown in the display after cycling through the Installer test menu but is not shown on the home screen.

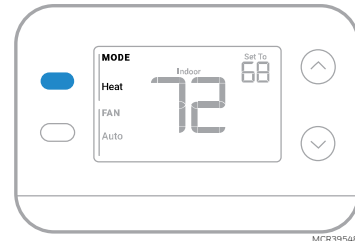
System Operation Settings

- 1 Press the **MODE** button to cycle to the next available System mode
- 2 Cycle through the modes until the desired System mode is displayed

Available System modes vary by model and system settings

System modes:

- **AUTO**
- **HEAT**
- **COOL**
- **EM HEAT**
- **OFF**



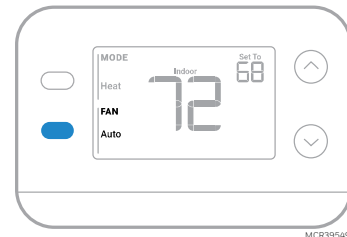
Fan Operation Settings

- 1 Press the **FAN** button to cycle to the next available Fan mode.
- 2 Cycle through the modes until the desired Fan mode is displayed

Available Fan modes vary with system settings.

Fan modes:

- **AUTO:** Fan runs only when the heating or cooling system is on
- **ON:** Fan is always on
- **CIRC:** Fan runs about 33% of the time to circulate air



Auto Changeover

When a thermostat is set to Auto Changeover, the thermostat has a Heat setpoint and a Cool setpoint and can run either Heat or Cool as needed.

- 1 Verify the thermostat is set to Auto Changeover mode. Press the **MODE** button in the upper left until **AUTO** is selected. Press the **SAVE** button (Center left).
- 2 Press the **↑** or **↓** button. Upper right shows **HEAT TO** or **COOL TO** in flashing text, and the setpoint. Use the **↑** or **↓** button to adjust the setpoint. If the display shows **HEAT TO** flashing when you want to adjust the Cool setpoint, or vice versa, press the System button. While **HEAT TO** or **COOL TO** is flashing, the mode indication at upper left shows either **HEAT** or **COOL** flashing. Pressing the **MODE** button at this time changes the setpoint being adjusted from **HEAT** to **COOL** or vice-versa.


Heat and cool set to the same temperature

Most customers are comfortable in a 2–3 degree temperature range. Therefore, the heat is usually set a few degrees below the Cool setpoint. When the indoor temperature is between the Heat and Cool setpoints, the system is off.

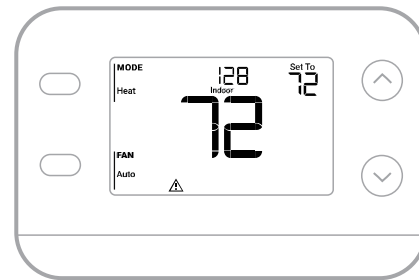
The Heat and Cool setpoints can be the same. To ensure that the system doesn't cycle back and forth between Heating and Cooling, the thermostat observes a **differential** setting (set by the installer). If the thermostat last ran in Heat mode, it cycles heat on and off to maintain the setpoint. The indoor temperature must rise to the differential setting before it switches to Cool.

Then cooling will run down to the Cool setpoint and cycle cooling on and off to maintain as needed. The thermostat would then need to drop to the differential setting before switching back to Heat. Typically, a thermostat using Auto Changeover would only need to switch over twice per day as outdoor temperature rises during the day and drops in the evening.

Alerts

When an alert is active, this icon  will appear in the lower part of the display. Pressing any button will activate the display and show the alert number above the indoor temperature reading. If more than one alert is active, the thermostat will display the number of the next alert after 10 seconds.


Some alerts can be resolved by the homeowner, for example **Replace Batteries**. Other alerts may require a service call to the professional installer.

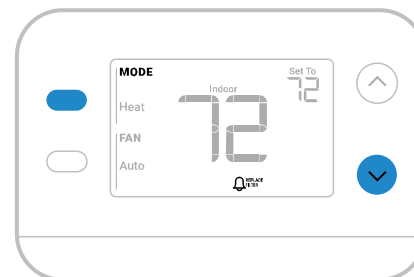


M39630

Alert Number	Alert Meaning
405	Low batteries
407	Critically low batteries
164	Heat Pump has detected a fault
170	Thermostat Memory Failure
173	Internal Sensor Error
178	Wired Outdoor Sensor Error. Check wires and connections to outdoor sensor.

Replace Filter Reminder

When a Replace Filter reminder occurs, this icon  will appear in the lower part of the display along with the message **Replace Filter**. After replacing the furnace filter, you can reset this reminder by pressing and holding the upper left and lower right buttons for 5 seconds.



MCR39552

Built-in compressor protection

Damage can occur if your system's compressor is restarted too soon after shutdown. This feature forces the compressor to wait for a few minutes before restarting. During the wait time, the display will show the message **Waiting For Equipment** under the room temperature reading.

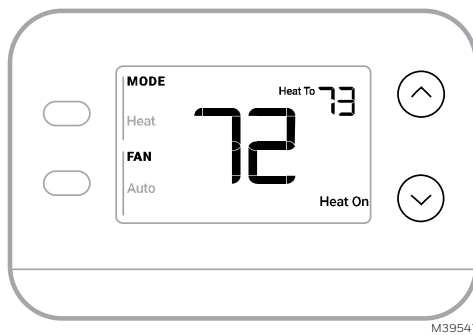
When the safe wait time has elapsed, the message disappears, and the thermostat will show "Heat on" or "Cool on".



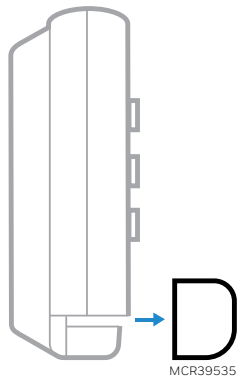
Accent Piece Installation/Replacement

Private label accent piece for FocusPRO N100 models

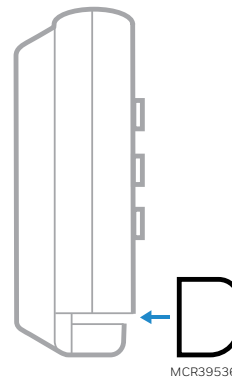
Private label replacement accent pieces for N100 thermostats can be ordered. Information about the private label program can be found at: www.resideo.com/us/en/pro/private-label-program



Example of the private label accent pieces that can be ordered for the thermostats listed above.



To replace an accent piece, pull it away from the thermostat...



...then snap the new one on.

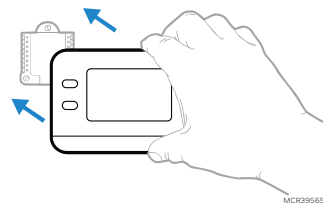
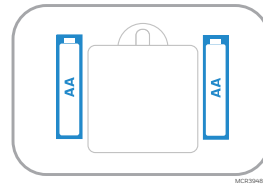
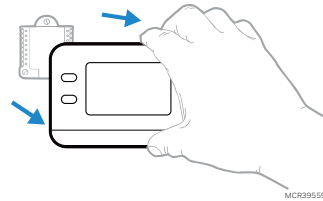
See the video at:



Battery Replacement

The thermostat's display will let you know when the batteries are low and need to be replaced.

- 1 Remove the thermostat by pulling it away from its mount as seen below.
- 2 Be sure to use **fresh** AA batteries and insert them as shown.
- 3 After inserting the new batteries, align the thermostat with the mounting plate and push gently until the thermostat snaps back into place.



Troubleshooting

<p>Display is blank</p>	<ul style="list-style-type: none"> • Check circuit breaker and reset if necessary • Make sure power switch for heating & cooling system is on • Make sure furnace door is closed securely <p>Make sure fresh AA alkaline batteries are correctly installed See Battery Replacement</p>
<p>Heating or cooling does not run</p>	<ul style="list-style-type: none"> • When running heat, display will show HEAT ON in lower right of display • When running cool, display will show COOL ON in lower right of display • If display shows WAITING FOR EQUIPMENT under temperature reading, it is in compressor delay mode to protect the system. Wait 5 minutes to determine if the thermostat makes a Heat or Cool call • If display doesn't indicate a call for Heat or Cool or WAITING FOR EQUIPMENT, verify the mode setting, temperature setpoint and room temperature <p>If you press the Up or Down arrow</p> <ul style="list-style-type: none"> • Upper left of display shows mode setting • Upper right shows setpoint • Center of display shows room temperature <p>If issue persists</p> <ul style="list-style-type: none"> • Check circuit breaker and reset if necessary • Make sure power switch at heating & cooling system is on • Make sure furnace door is closed securely
<p>Heat or Aux Heat runs with Cooling</p>	<ul style="list-style-type: none"> • Verify there is not a wire attached to W for heat pump systems. See Wiring Diagrams. • For heat pump applications the reversing valve is energized in Heat on some heat pumps and Cool for other heat pumps. Verify ISU 2060 is set correctly • Verify that no wires are shorted. Look for exposed sections of wire at the UWP
<p>Heat or Aux heat runs with no call for heat or cooling</p>	<ul style="list-style-type: none"> • Verify display does not indicate HEAT ON, COOL ON or AUX HEAT ON • Verify there is not a wire attached to W for heat pump systems. See Wiring Diagram. • Verify that no wires are shorted. Look for exposed sections of wire at the UWP
<p>Cannot change setpoint to desired setting</p>	<ul style="list-style-type: none"> • Verify the mode setting (Heat, Cool, Auto, or Em Heat in upper left of display) <p>The setting ranges for these modes are</p> <ul style="list-style-type: none"> ○ Heat or Em Heat: 32 °F to 90 °F (0 °C to 32.0 °C) ○ Cool: 50 °F to 99 °F (10.0 °C to 37.0 °C) <p>If the setpoint can be adjusted, but not to the full range shown above, the thermostat may be configured for a maximum heat or minimum cool setpoint to restrict settings that are energy inefficient.</p>
<p>WAITING FOR EQUIPMENT shown in display under room temperature</p>	<p>The compressor protection feature is engaged. Wait a few minutes for the system to safely restart to avoid damaging the compressor. See Built-in compressor protection.</p>

Specifications

Temperature Ranges

Heat: 32 °F to 90 °F (0 °C to 32.0 °C)

Cool: 50 °F to 99 °F (10.0 °C to 37.0 °C)

Working Ambient Temperature

32 °F to 120 °F (0 °C to 48.9 °C)

Operating Ambient Temperature

32 °F to 102 °F (0 °C to 38.9 °C)

Shipping Temperature

-20 °F to 120 °F (-28.9 °C to 48.9 °C)

Operating Relative Humidity

5% to 90% (non-condensing)

Physical Dimensions in inches (mm) (H x W x D)

Thermostat

5-1/8" W x 3-7/16" H x 1-3/16" D

130 mm W x 87 mm H x 29.5 mm D

Cover Plate

6-1/16" W x 4-3/5" H

154 mm W x 117 mm H

Electrical Ratings

- a) Device Input Power AC: 1.1 VA, 24 VAC nominal (20-30 VAC), 60 Hz
- b) Load Ratings – see below
- c) Batteries – Two 1.5V AA alkaline batteries

Terminal	Voltage (60Hz)	Running Current
W Heating	24 Vac	0.02-1.0 A
W Heating	750 mV DC	100 mA DC
W2 (Aux) Heating	24 Vac	0.02-1.0 A
E Emergency Heat	24 Vac	0.02-0.5 A
Y Compressor Stage 1	24 Vac	0.02-1.0 A
Y2 Compressor Stage 2	24 Vac	0.02-1.0 A
G Fan	24 Vac	0.02-0.5 A
O/B Changeover	24 Vac	0.02-0.5 A
L/A Input	24 Vac	0.02-0.5 A



CAUTION: ELECTRICAL HAZARD

Can cause electrical shock or equipment damage. Disconnect power before beginning installation.



CAUTION: EQUIPMENT DAMAGE HAZARD

Compressor protection is bypassed during testing. To prevent equipment damage, avoid cycling the compressor quickly.



CAUTION: MERCURY NOTICE

If this product is replacing a control that contains mercury in a sealed tube, do not place the old control in the trash. Contact your local waste management authority for instructions regarding recycling and proper disposal.



CAUTION: ELECTRONIC WASTE NOTICE

The product and batteries should not be disposed of with other household waste. Check for the nearest authorized collection centers or authorized recyclers. The correct disposal of end-of-life equipment will help prevent negative consequences for the environment and human health.

FCC statement available at: <https://customer.resideo.com/en-US/support/residential/codes-and-standards/FCC15105/Pages/default.aspx>

Customer Assistance

For assistance with this product, please visit customer.resideo.com

Or call Resideo Customer Care toll-free at **1-800-633-3991**

5-year limited warranty

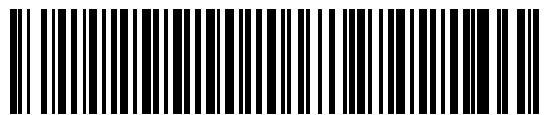
For Warranty information go to honeywellhome.com/support

resideo
www.resideo.com

Resideo Technologies Inc.
Scottsdale, AZ 85254

33-00692EFS-01 L.Y. Rev. 12-24

The Honeywell Home trademark is used under license
from Honeywell International, Inc.
This product is manufactured by Resideo Technologies,
Inc. and its affiliates.
© 2024 Resideo Technologies, Inc.



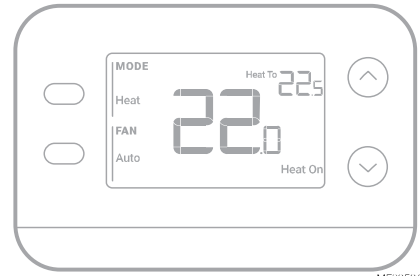
33-00692EFS-01

Honeywell Home

Série FocusPRO® N100 Thermostat

Manuel d'installation

À LIRE AVANT L'INSTALLATION



L'emballage comprend :

- Thermostat FocusPRO série N100
- Plaque murale UWP™
- Plaque de recouvrement décorative avec adaptateur J-Box
- Vis et ancrages
- 2 piles AA
- Documentation sur le thermostat

TH1110U4000 N100 non programmable
TH1320U4002 N100 non programmable

Compatibilité

Les modèles TH1110U4000 sont compatibles avec les systèmes de chauffage et de refroidissement en une étape 24 VCA, y compris:

- Thermo pompes sans chauffage d'appoint
- Air pulsé au gaz/huile/électrique
- Refroidissement en une étape
- Chauffage hydronique radiant
- Serpentin à eau chaude
- 750 MV

Les modèles TH1320U4002 sont compatibles avec la plupart des systèmes de chauffage et de refroidissement 24 VAC, y compris:

- Thermo pompes avec des compresseurs en 1 ou 2 étapes et du chauffage d'appoint
- Bicarburant
- Air pulsé au gaz/huile/électrique à 1 ou 2 étapes
- Refroidissement en 1 ou 2 étapes
- Chauffage hydronique radiant
- Serpentin à eau chaude
- 750 MV
- Les terminaux S pour la sonde extérieure câblée C7089U1006 (utilisée pour le verrouillage du chauffage auxiliaire ou le point d'équilibre sur les systèmes de thermo pompes).

Introduction

Ce document aborde les sujets suivants (cliquez pour accéder à ces sections) :

- [Installation de la plaque murale UWP](#)
- [Options d'alimentation](#)
- [Diagrammes de câblage](#)
- [Montage du thermostat](#)
- [Configuration/réglages](#)
- [Protection du compresseur](#)
- [Installation/remplacement d'une pièce d'accentuation](#)
- [Remplacement de la batterie](#)
- [Dépannage](#)
- [Spécifications](#)

Contenu (cliquez pour accéder à cette page)

Introduction.....	1
Installation de la plaque murale UWP.....	3
Installation de la plaque de couverture optionnelle.....	3
Options d'alimentation	3
Voir Paramétrage des onglets coulissants.....	4
Désignation des bornes de câblage.....	4
Diagrammes de câblage	5
Chauffage uniquement : fournaise au gaz ou à l'huile.....	5
Seulement pour le froid.....	5
Chaudière à eau chaude, chauffage seulement.....	5
1H/1C : fournaise à gaz	5
Système à 2 transformateurs, 1H/1C : fournaise à l'huile avec climatisation.....	6
Système à 2 transformateurs, chauffage à eau chaude avec climatisation (ou serpentin à eau chaude)	6
2H/1C : chaudière à gaz	6
2H/2C : fournaise à gaz	6
Chauffage à eau chaude avec vanne de zone ouverte.....	7
Chauffage à eau chaude avec vanne de zone à ouverture/fermeture motorisée de la série 20.....	7
1H/1C : thermo pompe sans chauffage auxiliaire	8
2H/1C : thermo pompe avec chauffage auxiliaire électrique.....	8
3H/2C : Thermo pompe avec chauffage d'appoint électrique.....	9
Bicombustible, 2H/1C : pompe à chaleur.....	9
Bi-combustible 3H/2C : Thermo pompe.....	10
Montage du thermostat	10
Configuration et réglages.....	10
Options de l'installateur.....	10
Test de l'installateur.....	14
Réglages du fonctionnement du système.....	15
Réglages du fonctionnement du ventilateur	15
Changement automatique.....	16
Alertes	16
Rappel de remplacement du filtre.....	16
Protection intégrée du compresseur	17
Installation/remplacement d'une pièce d'accent.....	17
Remplacement des piles.....	18
Dépannage.....	19
Spécifications	20
Caractéristiques électriques.....	20
Assistance à la clientèle.....	21
garantie limitée de 5 ans.....	21

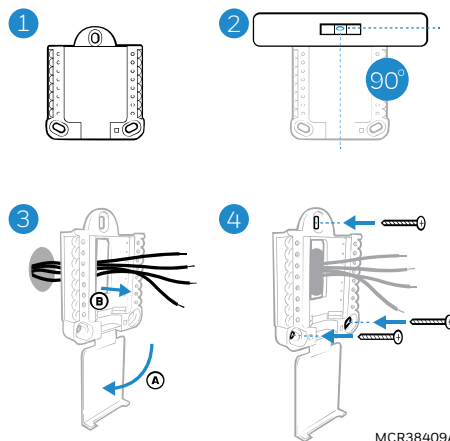
Tout au long du document, vous verrez des sauts vers différents endroits du texte. En voici un exemple :

Voir [Configuration des onglets coulissants](#). Cliquez sur le lien du texte pour accéder directement à cet endroit.

Installation de la plaque murale UWP

Si la plaque de recouvrement est utilisée, l'UWP s'enclenche sur la plaque de recouvrement comme indiqué ici.

- 1 Avant de commencer, coupez l'électricité au niveau de la boîte à disjoncteurs ou au niveau de l'interrupteur. Ouvrez l'emballage pour trouver l'UWP. Voir la figure 1.
- 2 Positionner l'UWP sur le mur. Nivelez et marquez les positions des trous. Voir la figure 2.
- 3 À l'aide d'une mèche de 3/16", percez les trous aux positions marquées, puis enfoncez légèrement les chevilles fournies dans le mur à l'aide d'un marteau.
- 4 Ouvrez la porte et insérez les fils dans le trou de câblage de l'UWP. Voir la figure 3.
- 5 Placez l'UWP sur les ancrages muraux. Insérez et serrez les vis de montage fournies avec l'UWP. Ne pas trop serrer. Serrez jusqu'à ce que l'UWP ne bouge plus. Fermez la porte. Voir la figure 4.



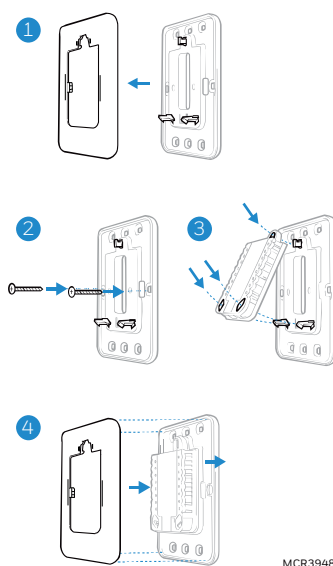
Utilisez 3 vis #6 1-1/2" fournies

Installation de la plaque de couverture optionnelle

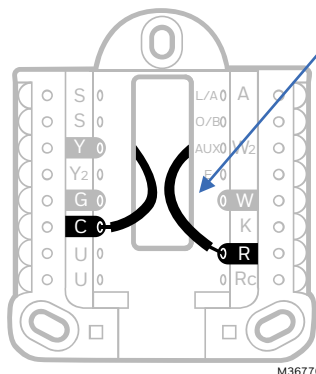
Si la plaque de recouvrement optionnelle n'est pas nécessaire, voir **Installation de la plaque murale UWP**.

Utilisez la plaque de recouvrement optionnelle lorsque vous devez couvrir un espace de peinture provenant de l'ancien thermostat.

- 1 Séparez la plaque de recouvrement de la plaque de montage (figure 1).
- 2 Montez la plaque de montage sur le mur ou le boîtier J en utilisant l'un des 8 trous de vis. Insérez et serrez les vis de montage fournies avec le kit de plaque de recouvrement. Ne pas trop serrer. Voir la figure 2. Assurez-vous que la plaque de montage est de niveau.
- 3 Fixez l'UWP en l'accrochant au crochet supérieur de la plaque de montage, puis en enclenchant la partie inférieure de l'UWP. Voir la figure 3.
- 4 Enclenchez la plaque de recouvrement sur la plaque de montage. Voir la figure 4.

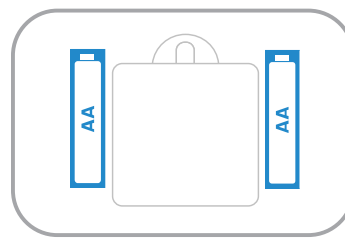


Options d'alimentation



Insérer les fils **R** et **C** dans les terminaux désignés pour l'alimentation en courant alternatif primaire. (Le terminal **C** est **facultatif** si des piles sont installées, mais il est **recommandé**). Retirez les fils en appuyant sur les onglets des terminaux.

Thermostats utilisant les fils Y et G :
S'il n'y a pas de fil C dans le thermostat précédent ou s'il n'y a pas de fil supplémentaire dans le paquet vers le thermostat, vous pouvez utiliser l'adaptateur de fil C **THP9045A** (vendu séparément).



Insérez des piles AA pour l'alimentation principale ou d'appoint

Pour obtenir de plus amples renseignements sur l'adaptateur de fil C THP9045A, consultez le site Web : <https://customer.resideo.com/resources/Techlit/TechLitDocuments/33-00000s/33-00618.pdf>

Voir Paramétrage des onglets coulissants.

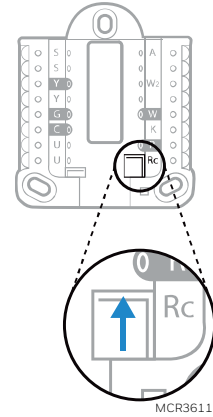
Réglage de l'onglet coulissant R

Utiliser le cavalier intégré (onglet R) pour différencier les systèmes à un ou deux transformateurs.

- S'il n'y a qu'un seul fil R et qu'il est connecté au terminal R, Rc ou RH, placez l'onglet coulissant en position haute (1 fil).
- S'il y a un fil connecté au terminal R et un fil connecté au terminal Rc, placez l'onglet coulissant en position basse (2 fils).

Pour les modèles FocusPRO N100, les onglets des terminaux U doivent être laissés en place.

Plaque murale UWP



Onglet coulissant R/Rc

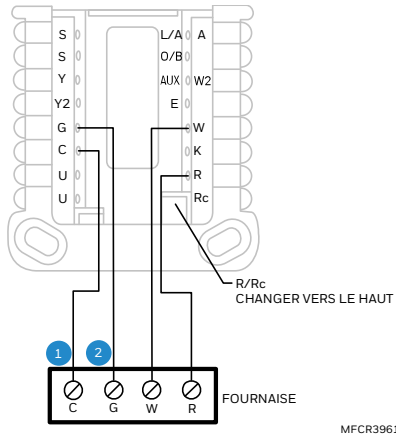
Désignation des bornes de câblage

S	C7089U1006 câblé capteur extérieur (TH1320U4002 uniquement)	L/A - A	Entrée de défaut pour la thermo pompe	
S		O/B	Vanne d'inversion	
Y	Contacteur de compresseur (étape 1)	AUX -W2	Chauffage auxiliaire Chauffage (étape 2) (TH1320U4002 uniquement)	<p>Les terminaux les plus couramment utilisés sont ombrés dans l'illustration ci-dessus.</p>
Y2	Contacteur de compresseur (étape 2) (TH1320U4002 uniquement)	E	Chauffage d'appoint (TH1320U4002 uniquement)	
G	Le ventilateur	W	Chauffage (étape 1)	<p>Les terminaux les plus couramment utilisés sont ombrés dans l'illustration ci-dessus.</p>
C	24VAC commun. Pour les systèmes à 2 transformateurs, utiliser le fil commun du transformateur de refroidissement.	K	Vers l' adaptateur C-Wire THP9045A si nécessaire	
U	Non utilisé sur ces modèles	R	L'alimentation 24VAC du transformateur de chauffage*	<p>* Les terminaux peuvent être sautés à l'aide d'un onglet coulissant. Voir Réglage des onglets coulissants.</p>
U		Rc	L'alimentation 24VAC du transformateur de refroidissement*	

Diagrammes de câblage

Chauffage uniquement : fournaise au gaz ou à l'huile

Modèles compatibles : tous les N100

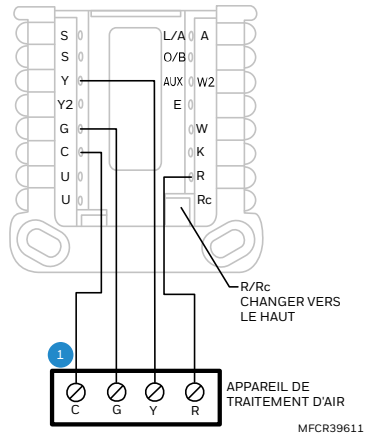


MFCR39610

1 : COMMUN EN OPTION
 2 : G EST UTILISÉ UNIQUEMENT POUR LA COMMANDE INDÉPENDANTE DU VENTILATEUR. (LA PLUPART DES SYSTÈMES À AIR PULSÉ À CHALEUR UNIQUEMENT, AU GAZ OU À L'HUILE N'UTILISENT PAS DE FIL DE VENTILATEUR [G])

Seulement pour le froid

Modèles compatibles : tous les N100

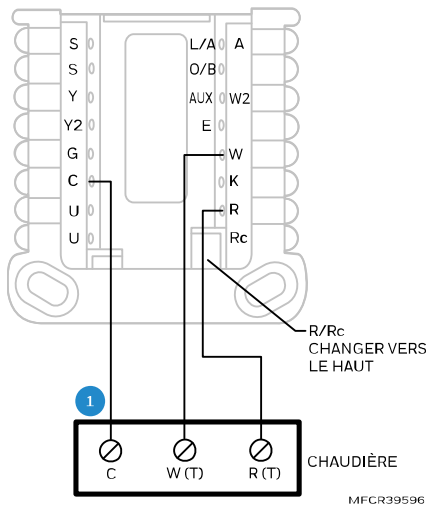


MFCR39611

1 : COMMUN EN OPTION

Chaudière à eau chaude, chauffage seulement

Modèles compatibles : tous les N100

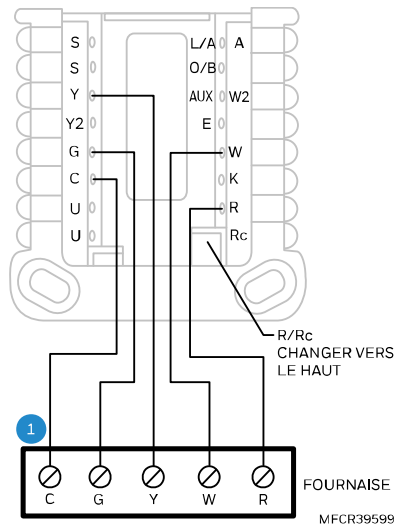


MFCR39596

1 : COMMUN EN OPTION

1H/1C : fournaise à gaz

Modèles compatibles : tous les N100

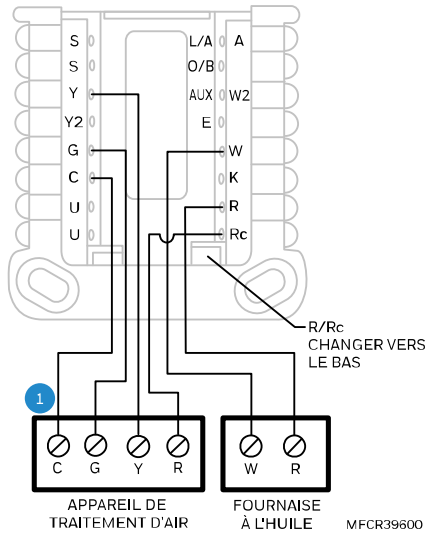


MFCR39599

1 : COMMUN EN OPTION

Système à 2 transformateurs, 1H/1C : fournaise à l'huile avec climatisation

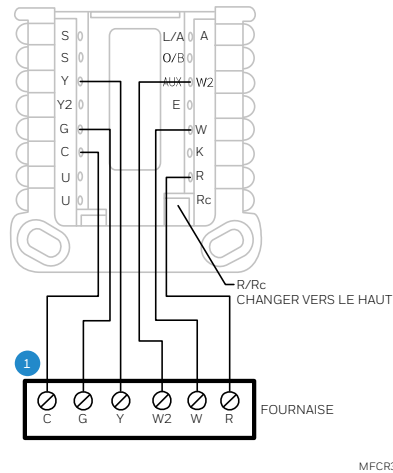
Modèles compatibles : tous les N100



1 : COMMUN EN OPTION

2H/1C : chaudière à gaz

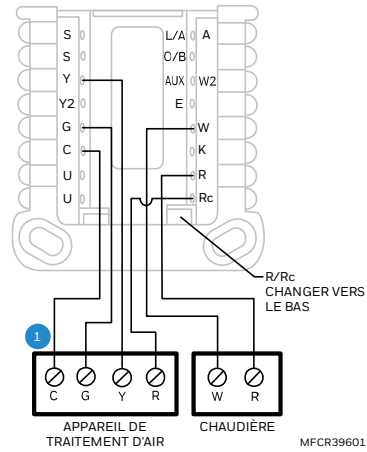
Modèle compatible : modèles TH1320U4002 uniquement



1 : COMMUN EN OPTION

Système à 2 transformateurs, chauffage à eau chaude avec climatisation (ou serpentin à eau chaude)

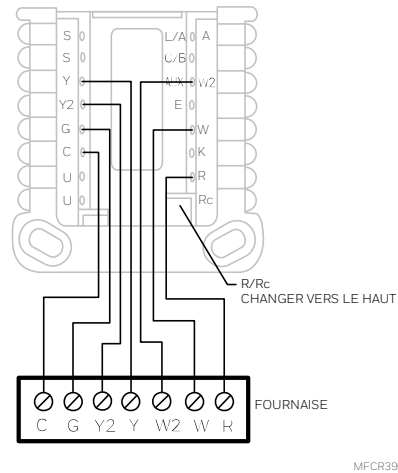
Modèles compatibles : tous les N100



1 : COMMUN EN OPTION

2H/2C : fournaise à gaz

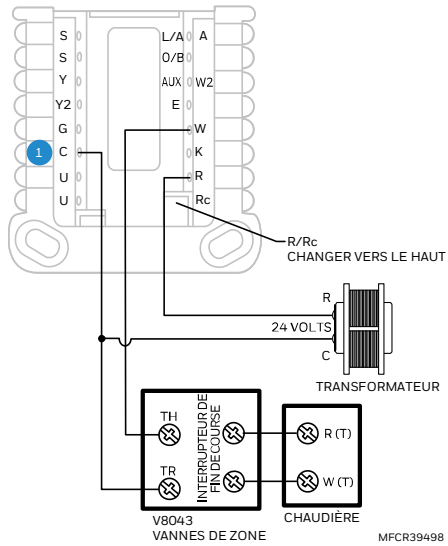
Modèle compatible : modèles TH1320U4002 uniquement



1 : COMMUN EN OPTION

Chauffage à eau chaude avec vanne de zone ouverte

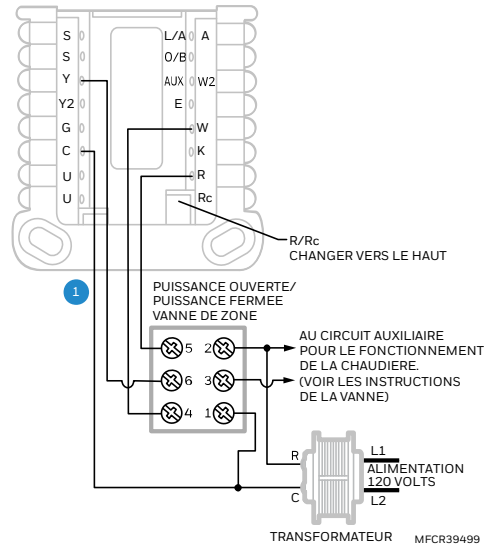
Modèles compatibles : tous les N100



1 : OPTION COMMUNE AU THERMOSTAT

Chauffage à eau chaude avec vanne de zone à ouverture/fermeture motorisée de la série 20

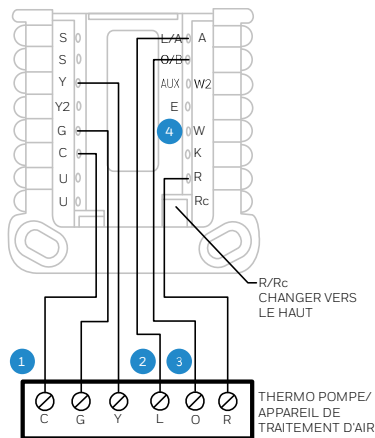
Modèles compatibles : tous les modèles N100 ²



1 : OPTION COMMUNE AU THERMOSTAT
 2 : LE THERMOSTAT DOIT ÊTRE CONFIGURÉ POUR LE CHAUFFAGE RADIANT AVEC 0 (ZÉRO) ÉTAPES DE REFROIDISSEMENT

1H/1C : thermo pompe sans chauffage auxiliaire

Modèles compatibles : tous les N100

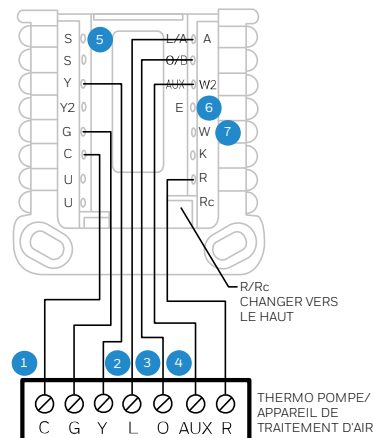


MFCR39500

- 1 : COMMUN EN OPTION
- 1 : L N'EST CONNECTÉ QUE SI LA THERMO POMPE EST ÉQUIPÉE D'UN TERMINAL DE DÉFAUT
- 3 : CERTAINES THERMO POMPES UTILISENT **B** AU LIEU DE **O** POUR LA VANNE D'INVERSION
- 4 : **IMPORTANT : NE CONNECTEZ PAS DE FIL À W POUR LES APPLICATIONS DE THERMO POMPES! CELA PEUT FAIRE FONCTIONNER LE CHAUFFAGE EN CONTINU.**

2H/1C : thermo pompe avec chauffage auxiliaire électrique

Modèle compatible : TH1320U4002 uniquement ⁶

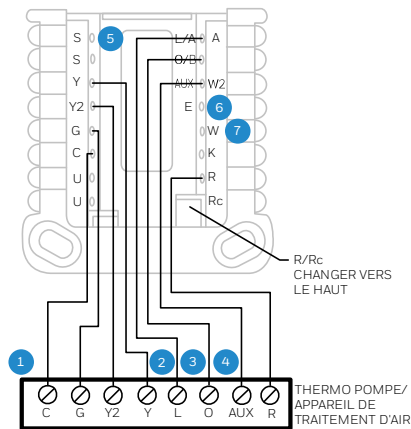


MFCR39501

- 1 : COMMUN EN OPTION
- 2 : L N'EST CONNECTÉ QUE SI LA THERMO POMPE EST ÉQUIPÉE D'UNE BORNE DE DÉFAUT
- 3 : CERTAINES THERMO POMPES UTILISENT **B** AU LIEU DE **O** POUR LA VANNE D'INVERSION
- 4 : SELON LES MODÈLES DE THERMO POMPES, LE TERMINAL DE CHAUFFAGE AUXILIAIRE PEUT ÊTRE ÉTIQUETÉ DIFFÉREMMENT DE CE QUI EST ILLUSTRÉ. CONSULTER LE GUIDE DE CÂBLAGE DE LA THERMO POMPE
- 5 : SI LE VERROUILLAGE DU CHAUFFAGE AUXILIAIRE, EN CAS DE TEMPÉRATURE EXTÉRIEURE ÉLEVÉE, EST NÉCESSAIRE RACCORDEZ LE CÂBLE C7089U1006 AUX DEUX TERMINAUX **S**
- 6 : LA PLUPART DES THERMO POMPES PARTAGENT LE MEME ENSEMBLE DE BANDES CHAUFFANTES POUR LE **CHAUFFAGE AUXILIAIRE** ET LE CHAUFFAGE D'APPOINT. DANS CES CAS, **E** N'EST PAS UTILISÉ. LE MODÈLE TH1320U4002 PEUT ÊTRE CONFIGURÉ POUR **UN AUX** ET **E** SÉPARÉS. DANS CE CAS, CÂBLER UN JEU DE BANDES À **E** POUR QU'IL SOIT ALIMENTÉ EN **CHAUFFAGE D'APPOINT** ET UN AUTRE JEU DE BANDES À **AUX** POUR QU'IL SOIT ALIMENTÉ EN **CHAUFFAGE AUXILIAIRE**.
- 7 : **IMPORTANT : NE PAS CONNECTER DE FIL À W POUR LES APPLICATIONS DE THERMO POMPES! CELA PEUT FAIRE FONCTIONNER LE CHAUFFAGE EN CONTINU.**

3H/2C : Thermo pompe avec chauffage d'appoint électrique

Modèle compatible : TH1320U4002 uniquement

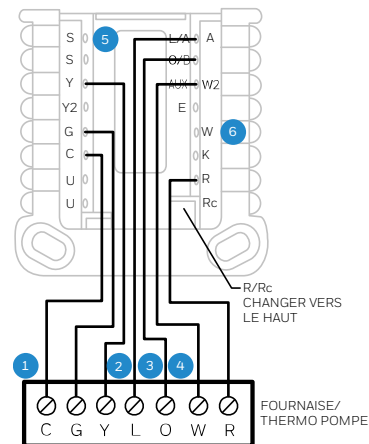


MFCR39502

- 1 : COMMUN EN OPTION.
- 2 : L EST CONNECTÉ SEULEMENT SI LA THERMO POMPE EST ÉQUIPÉE D'UN TERMINAL DE DÉFAUT.
- 3 : CERTAINES THERMO POMPES UTILISENT **B** AU LIEU DE **O** POUR LA VANNE D'INVERSION.
- 4 : SELON LES MODÈLES DE THERMO POMPES , LA BORNE DE CHAUFFAGE AUXILIAIRE PEUT ÊTRE ÉTIQUETÉE DIFFÉREMMENT DE CE QUI EST ILLUSTRÉ. CONSULTER LE GUIDE DE CÂBLAGE DE LA THERMO POMPE.
- 5 : SI LE VERROUILLAGE DU **CHAUFFAGE AUXILIAIRE** EST NÉCESSAIRE, EN CAS DE TEMPÉRATURE EXTÉRIEURE ÉLEVÉE, CÂBLER C7089U1006 AUX DEUX TERMINAUX **S**.
- 6 : LA PLUPART DES THERMO POMPES PARTAGENT LE MEME ENSEMBLE DE BANDES CHAUFFANTES POUR LE **CHAUFFAGE AUXILIAIRE** ET LE CHAUFFAGE D'APPOINT. DANS CES CAS, **E** N'EST PAS UTILISÉ. LE MODÈLE TH1320U4002 PEUT ÊTRE CONFIGURÉ POUR **UN AUX** ET **E**. SÉPARÉS. DANS CE CAS, CÂBLER UN ENSEMBLE DE BANDES À **E** POUR QU'IL SOIT ALIMENTÉ EN **CHAUFFAGE D'APPOINT** ET UN AUTRE ENSEMBLE DE BANDES À **AUX** POUR QU'IL SOIT ALIMENTÉ EN **CHAUFFAGE AUXILIAIRE**.
- 7 : **IMPORTANT : NE PAS CONNECTER DE FIL À W POUR LES APPLICATIONS DE THERMO POMPES! CELA PEUT PROVOQUER UNE CHALEUR CONTINUE.**

Bicombustible, 2H/1C : pompe à chaleur

Modèle compatible : TH1320U4002 uniquement

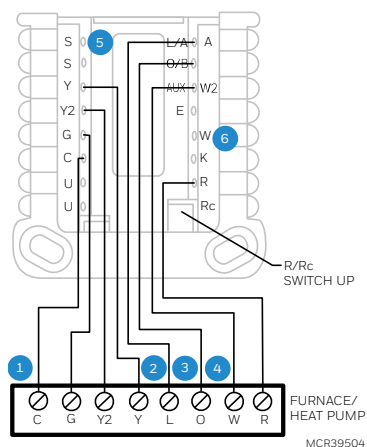


MFCR39503

- 1 : COMMUN EN OPTION.
- 2 : L EST CONNECTÉ SEULEMENT SI LA THERMO POMPE EST ÉQUIPÉE D'UN TERMINAL DE DÉFAUT.
- 3 : CERTAINES THERMO POMPES UTILISENT **B** AU LIEU DE **O** POUR LA VANNE D'INVERSION.
- 4 : LA THERMO POMPE ET LA FOURNAISE ONT DES TABLEAUX SÉPARÉES. ILS SONT MONTRÉS ICI ENSEMBLE POUR SIMPLIFIER CE DIAGRAMME. **W** PROVIENT DU TABLEAU DE LA FOURNAISE.
- 5 : CÂBLEZ C7089U1006 AUX DEUX TERMINAUX **S**.
- 6 : **IMPORTANT : NE PAS CONNECTER DE FIL À W POUR LES APPLICATIONS DE THERMO POMPES! CELA PEUT PROVOQUER UNE CHALEUR CONTINUE.**

Bi-combustible 3H/2C : Thermo pompe

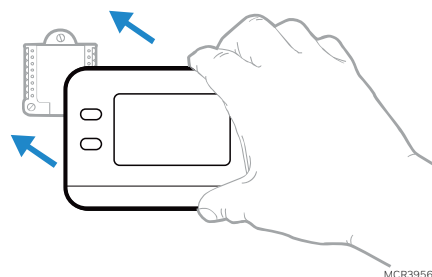
Modèle compatible : TH1320U4002



- 1 : COMMUN EN OPTION.
- 2 : L EST CONNECTÉ SEULEMENT SI LA THERMO POMPE EST ÉQUIPÉE D'UN TERMINAL DE DÉFAUT.
- 3 : CERTAINES THERMO POMPES UTILISENT **B** AU LIEU DE **O** POUR LA VANNE D'INVERSION.
- 4 : LA THERMO POMPE ET LA FOURNAISE ONT DES TABLEAUX SÉPARÉES. ILS SONT MONTRÉS ENSEMBLE ICI POUR SIMPLIFIER CE DIAGRAMME. **W** PROVIENT DU TABLEAU DE LA FOURNAISE.
- 5 : CÂBLEZ C7089U1006 AUX DEUX TERMINAUX **S**.
- 6 : **IMPORTANT : NE PAS CONNECTER DE FIL À W POUR LES APPLICATIONS DE THERMO POMPES! CELA PEUT PROVOQUER UNE CHALEUR CONTINUE.**

Montage du thermostat

- 1 Poussez l'excédent de fil dans l'ouverture murale.
- 2 Fermez la porte de l'UWP. Elle doit rester fermée sans gonfler.
- 3 Alignez l'UWP avec le thermostat et poussez doucement jusqu'à ce que le thermostat s'enclenche.
- 4 Allumez l'alimentation au niveau du disjoncteur ou de l'interrupteur.



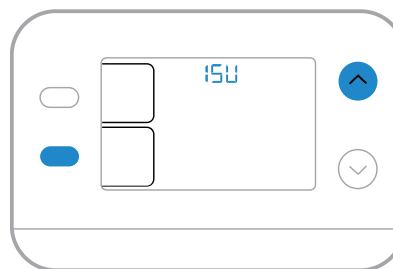
MCR39565

Configuration et réglages

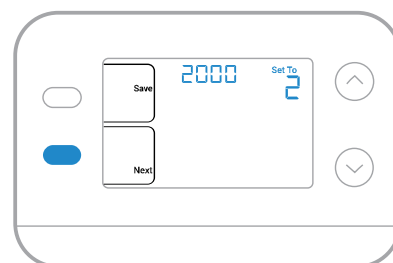
Options de l'installateur

Lors de la configuration initiale, le thermostat entre dans le menu ISU. Si vous entrez dans le menu ISU après la configuration initiale, suivez les étapes ci-dessous :

- 1 Appuyez sur le bouton inférieur gauche et le **bouton** fléché vers le haut et maintenez les **enfonceés** pendant 5 secondes pour accéder au menu **INSTALLER L'UNITÉ de SECURITÉ INTEGRÉE**).
- 2 Le numéro de l'UNITÉ de SECURITÉ INTEGRÉE est à gauche. Le réglage de l'UNITÉ de SECURITÉ INTEGRÉE se trouve à droite. Lorsqu'un **numéro de l'UNITÉ de SECURITÉ INTEGRÉE** est affiché, appuyez sur ou pour modifier le réglage.
- 3 Après avoir choisi le réglage correct pour une UNITÉ de SECURITÉ INTEGRÉE, appuyez sur **NEXT** pour passer au réglage suivant de l'UNITÉ de SECURITÉ INTEGRÉE.
- 4 Pour terminer la configuration, appuyez sur le bouton **ENREGISTRER**.



MCR39544



MCR39545

Options de configuration pour l'UNITÉ de SECURITÉ INTEGRÉE

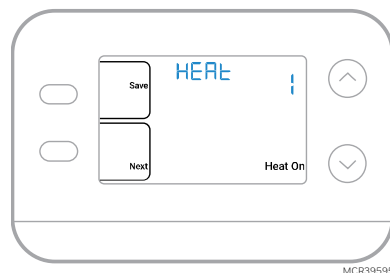
Selon les paramètres du système, il se peut que toutes les options ne soient pas disponibles		
# UNITÉ de SECURITÉ INTEGRÉE	Nom de l'UNITÉ de SECURITÉ INTEGRÉE	Les options de l'UNITÉ de SECURITÉ INTEGRÉE (les valeurs par défaut sont en en gras)
1050	Échelle d'indication de la température	F = Fahrenheit C = Celsius
1060	Capteur extérieur (TH1320U4002 uniquement. Uniquement pour les verrouillages. Ne s'affiche pas)	0 = Aucun 1 = Capteur extérieur câblé
2000	Type de système de chauffage	1 = Chauffage conventionnel à air pulsé 2 = Thermo pompe 3 = Chauffage radiant : 5 = Aucun (refroidissement seulement)
2010	Type d'équipement de chauffage	<i>Chauffage conventionnel à air pulsé :</i> 1 = Air pulsé au gaz à efficacité standard 2 = Air pulsé au gaz à haute efficacité 3 = Air pulsé à l'huile 4 = Air pulsé électrique 5 = Ventilateur-convecteur à eau chaude 6 = <i>Thermo pompe</i> 7 = Thermo pompe air-air 8 = Thermo pompe géothermique <i>Chaleur radiante :</i> 9 = Chaleur radiante à eau chaude 12 = Vapeur
2060	Vanne d'inversion O/B	0 = O (O/B en froid) 1 = B (O/B en chaleur)
2070	Les étapes du compresseur	0, 1 , 2 Seulement le compresseur avec étape est disponible avec le TH1110U4000
2071	Étapes du chauffage/ chauffage d'appoint	Étapes de chauffage: 1 , 2 Étages de chauffage d'appoint : 0, 1 (TH1320U4002 seulement)
2110	Commande du ventilateur en mode chauffage	1 = L'équipement de contrôle du ventilateur 2 = Le thermostat de contrôle du ventilateur (Affiché uniquement si 2010 = 4 ou 5)
2175	Contrôle du terminal Aux/E (TH1320U4002 seulement)	0 = Pilotage simultané des terminaux Aux et E 1 = Aux et E indépendants
2180	l'UNITÉ de SECURITÉ INTEGRÉE 2180 : source de chaleur d'appoint (thermo pompe uniquement) (TH1320U4002 seulement)	31 = Air pulsé électrique 32 = Air pulsé au gaz à rendement normal 33 = Air pulsé au gaz à haut rendement 34 = Air pulsé à l'huile, ventilateur-convecteur à eau chaude
2185	Source de chaleur d'appoint (TH1320U4002 seulement)	35 = Chauffage radiant à l'eau chaude 36 = Autre
3000	Changement de système	0 = Manuel 1 = Automatique
3015	Différentiel à changement automatique	0 °F à 5 °F 0.0 °C à 2.5 °C <i>Le réglage du différentiel est le nombre minimum de degrés par rapport au point de consigne nécessaire pour passer du dernier mode en cours (chauffage ou refroidissement) au mode opposé lorsque le thermostat est en changement automatique.</i>
3020	Finir avec une phase de chauffage élevée	0 = Non 1 = Oui (TH1320U4002 seulement)
3021	Terminer avec l'étape de refroidissement élevé	0 = Non 1 = Oui (TH1320U4002 seulement)

# UNITÉ de SECURITÉ INTEGRÉE	Nom de l'UNITÉ de SECURITÉ INTEGRÉE	Options de l'UNITÉ de SECURITÉ INTEGRÉE (les valeurs par défaut d'usine sont en en gras)	
3090	Chute du chauffage d'appoint	0 = Confort 2 °F à 15 °F (par incréments de 1 °F) 1.0 °C à 7.5 °C (par incréments de 0,5 °C). le réglage 0 (confort) n'est disponible que si le chauffage d'appoint (UNITÉ de SECURITÉ INTEGRÉE 2180) est réglé sur électrique. TH1320U4002 uniquement.	
3110	Minuterie de chauffage d'appoint en amont	0 = Arrêt 1 = 30 minutes 2 = 45 minutes 3 = 60 minutes 4 = 75 minutes 5 = 90 minutes 6 = 2 heures 7 = 3 heures	8 = 4 heures 9 = 5 heures 10 = 6 heures 11 = 8 heures 12 = 10 heures 13 = 12 heures 14 = 14 heures 15 = 16 heures
		(TH1320U4002 seulement) Si 3090 = 0 et 2180 = 31, 3110 n'a que les réglages 0-3.	
3120	Verrouillage du compresseur / Point d'équilibre (TH1320U4002 seulement)	0 = Arrêt 1 = -15°F (-26°C) 2 = -10°F (-23.5°C) 3 = -5°F (-20.5°C) 4 = 0°F (-18°C) 5 = 5°F (-15°C) 10 = 10°F (-12°C) 15 = 15°F (-9.5°C) 20 = 20°F (-6.5°C)	25 = 25°F (-4°C) 30 = 30°F (-1°C) 35 = 35°F (1.5°C) 40 = 40°F (4.5°C) 45 = 45°F (7°C) 50 = 50°F (10°C) 55 = 55°F (13°C) 60 = 60°F (15.5°C)
3121	Verrouillage extérieur du chauffage d'appoint (TH1320U4002 seulement)	0 = Arrêt 5 = 5°F (-15°C) 10 = 10°F (-12°C) 15 = 15°F (-9.5°C) 20 = 20°F (-6.5°C) 25 = 25°F (-4°C) 30 = 30°F (-1°C)	35 = 35°F (1.5°C) 40 = 40°F (4.5°C) 45 = 45°F (7°C) 50 = 50°F (10°C) 55 = 55°F (13°C) 60 = 60°F (15.5°C) 65 = 65°F (18.5°C)
3125	Verrouillage du ventilateur après un appel de refroidissement	0 = Arrêt 1 = 5 min 2 = 10 min 3 = 15 min 4 = 20 min 5 = 25 min 6 = 30 min 7 = 35 min 8 = 40 min 9 = 45 min 10 = 50 min 11 = 55 min 12 = 60 min	13 = 65 min 14 = 70 min 15 = 75 min 16 = 80 min 17 = 85 min 18 = 90 min 19 = 95 20 = 100 min 21 = 105 min 22 = 110 min 23 = 115 min 24 = 120 min
3140	Vitesse du cycle du compresseur (étape 1)	1 - 6	
3141	Vitesse du cycle du compresseur (étape 2)	1 - 6 (TH1320U4002 uniquement)	
3150	Vitesse du cycle de chauffage (étape 1)	1 - 12	
3151	Vitesse du cycle de chauffage (étape 2)	1 - 12 (TH1320U4002 uniquement)	
3160	Taux de cycle du chauffage auxiliaire	1 - 12 (TH1320U4002 uniquement)	
3165	Vitesse du cycle de chauffage pour le chauffage d'appoint	1 - 12 (TH1320U4002 uniquement)	
3240	Protection du compresseur	0 = Arrêt 1 - 5 minutes	
4100	Point de consigne de refroidissement maximal	50°F à 99°F 10°C à 37°C	
4101	Point de consigne de refroidissement minimum	50°F à 99 °F 10.0°C à 37.0 °C	
4102	Point de consigne de chaleur maximal	40°F à 90°F 4.5°C à 32.0°C	
4103	Point de consigne de chaleur minimum	32 °F à 50 °F (40 °F par défaut) 0 °C à 10,0 °C (4.5 °C par défaut)	

7110	Filtre à air Rappel de remplacement	0 = Arrêt 1 = 10 jours de fonctionnement 2 = 20 jours de fonctionnement 3 = 30 jours de fonctionnement 4 = 45 jours de fonctionnement 5 = 60 jours de fonctionnement 6 = 90 jours de fonctionnement 7 = 120 jours de fonctionnement 8 = 150 jours de fonctionnement 9 = 30 jours calendrier	10 =45 jours calendrier 11 =60 jours calendrier 12 =75 jours calendrier 13 =3 mois calendrier 14 =4 mois calendrier 15 =5 mois calendrier 16 =6 mois calendrier 17 =9 mois calendrier 18 =12 mois calendrier 19 =15 mois calendrier
14003	Rétroéclairage	0 = Sur demande 1 = Continu <i>Un fil commun est nécessaire pour le mode continu.</i>	
14004	Luminosité du rétroéclairage	1 - 5 (Affiché uniquement si le rétroéclairage continu est sélectionné)	
14005	Sélection de l'écran inactif	0 - Information minimale affichée 2 - Affichage maximal des informations affichées	
14020	Écart de la température affichée	-3 à 3 F (0) -1.5 à 1.5 C (0)	

Test de l'installateur

- 1 Une fois le réglage de l'installateur terminé, le N100 entre en mode **TEST DE L'INSTALLATEUR**.
- 2 L'écran affiche le mode de test en cours. Pour tester le mode affiché, appuyez sur **↑**. Si vous testez le chauffage ou le refroidissement d'un équipement à plusieurs étapes, appuyez une seconde fois sur la touche **↑** cela indiquera un appel pour l'étape 2.
- 3 Appuyez sur **NEXT (SUIVANT)** pour passer au mode suivant du menu de test. Les réglages possibles du menu de test sont **Heat (chauffage)**, **(Refroidissement)**, **Em Heat (chauffage d'appoint)** et **Fan (Ventilator)**.



Test du système	Statut du système	
Les zones ombrées ci-dessous s'appliquent <u>uniquement</u> à TH1320U4002		
Chauffage	0	Tout est éteint
	1	L' étape de chauffage 1 est activée
	2	L' étape de chauffage 2 est également activée
	3	L' étape de chauffage 3 est également activée
Rrefroidissement	0	Tout est éteint
	1	L' étape de refroidissement 1 est activée
	2	L' étape de refroidissement 2 est également activée
Chauffage d'appoint	0	Tout est éteint
	1	Le chauffage d'appoint est en marche
Le ventilateur	0	Le ventilateur est éteint
	1	Le ventilateur est en marche

Remarque : Si l'UNITÉ de SECURITÉ INTEGRÉE 1060 est réglée pour un capteur extérieur câblé, le relevé de ce capteur s'affiche à l'écran après avoir parcouru le menu de test de l'installateur, mais ne s'affiche pas sur l'écran d'accueil.

Réglages du fonctionnement du système

- 1 Appuyez sur la touche **MODE** pour passer au mode suivant du système
- 2 Faites défiler les modes jusqu'à ce que le mode souhaité s'affiche

Les modes du système disponibles varient selon le modèle et les paramètres

Modes du système:

- **AUTO**
- **CHALEUR**
- **REFROIDIR**
- **CHALEUR D'APPOINT**
- **ÉTEINT**

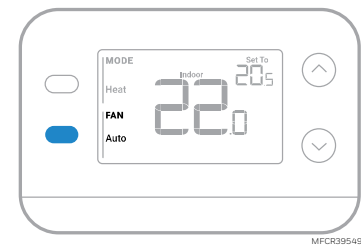
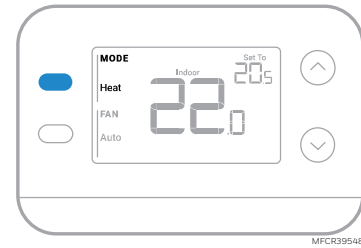
Réglages du fonctionnement du ventilateur

- 1 Appuyez sur le bouton FAN (ventilation) pour passer au prochain mode de ventilation disponible.
- 2 Faites défiler les modes jusqu'à ce que le mode de ventilation souhaité s'affiche

Les modes de ventilation disponibles varient en fonction des réglages du système.

Modes de ventilation :

- **AUTO (automatique)**: le ventilateur fonctionne uniquement lorsque le système de chauffage ou de refroidissement est en marche
- **ON (allumé)** : le ventilateur fonctionne en permanence
- **CIRC (circuler)** : Le ventilateur fonctionne environ 33 % du temps pour faire circuler l'air



Changement automatique

Lorsqu'un thermostat est réglé sur le Changement automatique, le thermostat dispose d'un point de consigne de chauffage et d'un point de consigne de refroidissement et peut fonctionner en mode chauffage ou refroidissement selon les besoins.

- 1 Vérifiez que le thermostat est réglé sur le mode de changement automatique. Appuyez sur la touche **MODE** en haut à gauche jusqu'à ce que **AUTO (automatique)** soit sélectionné. Appuyez sur le bouton **SAVE (enregistrer)** (centre gauche).
- 2 Appuyez sur le **↑** ou **↓** bouton. La partie supérieure droite indique **HEAT TO (chauffage à)** ou **COOL TO (refroidissement à)**, et le point de consigne, dans le texte clignotant. Utilisez les touches **↑** ou **↓** pour régler le point de consigne. Si l'écran affiche **HEAT TO (chauffage à)** clignotant alors que vous souhaitez régler le point de consigne de refroidissement, ou inversement, appuyez sur la touche System (système). Lorsque **HEAT TO (chauffage à)** ou **COOL TO (refroidissement à)** clignote, l'indication du mode en haut à gauche montre soit **HEAT (chauffage)** ou **COOL (refroidissement)** clignotant. En appuyant sur la touche **MODE** à ce moment-là, le point de consigne réglé passe de **HEAT (chauffage)** à **COOL (refroidissement)** ou vice-versa.


Chauffage et refroidissement réglés à la même température

La plupart des clients se sentent à l'aise dans une fourchette de température de 2 à 3 degrés. Par conséquent, le chauffage est généralement réglé quelques degrés en dessous du point de consigne de refroidissement. Lorsque la température intérieure se situe entre les points de consigne de chauffage et de refroidissement, le système est éteint.

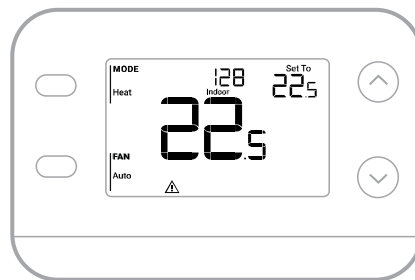
Les points de consigne de chauffage et de refroidissement peuvent être identiques. Pour s'assurer que le système ne passe pas du chauffage au refroidissement, le thermostat observe un réglage **différentiel** (défini par l'installateur). Si le thermostat a fonctionné la dernière fois en mode Chauffage, il allume et éteint le chauffage pour maintenir le point de consigne. La température intérieure doit s'élever jusqu'au réglage différentiel avant que l'appareil passe en mode refroidissement.

Ensuite, le refroidissement s'effectue jusqu'au point de consigne de refroidissement et le cycle de refroidissement s'active et se désactive pour maintenir la température en fonction des besoins. Le thermostat devra alors descendre jusqu'au réglage différentiel avant de revenir en mode de chauffage. En règle générale, un thermostat utilisant le changement automatique a besoin de commuter que deux fois par jour lorsque la température extérieure augmente pendant la journée et baisse le soir.

Alertes

Lorsqu'une alerte est active, l'icône  apparaît dans la partie inférieure de l'écran. En appuyant sur n'importe quel bouton, l'écran s'active et affiche le numéro de l'alerte au-dessus de la température intérieure. Si plus d'une alerte est active, le thermostat affiche le numéro de l'alerte suivante après 10 secondes.


Certaines alertes peuvent être résolues par le propriétaire, par exemple **Remplacer les piles**. D'autres alertes peuvent nécessiter un appel de service à l'installateur professionnel.

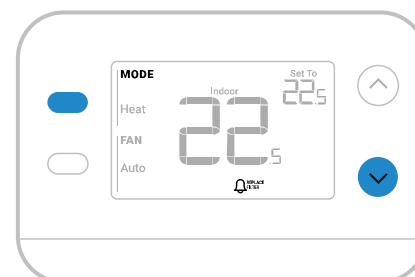


MF39630

Numéro d'alerte	Signification de l'alerte
405	Les piles sont faibles
407	Les piles sont très faibles.
164	La thermo pompe a détecté un défaut
170	Défaut de mémoire du thermostat
173	Erreur de capteur interne
178	Erreur de capteur extérieur câblé. Vérifiez les fils et les connexions du capteur extérieur.

Rappel de remplacement du filtre

Lorsqu'un rappel de remplacement du filtre se produit, cette icône  apparaît dans la partie inférieure de l'écran, accompagnée du message suivant **Remplacer le filtre**. Après avoir remplacé le filtre de la fournaise, vous pouvez réinitialiser ce rappel en appuyant et maintenant enfoncés les boutons supérieur gauche et inférieur droit pendant 5 secondes.

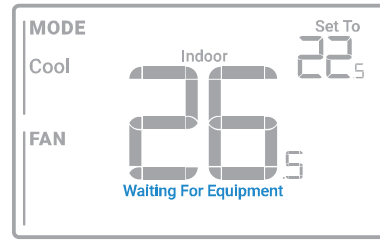


MFCR39552

Protection intégrée du compresseur

Des dommages peuvent survenir si le compresseur de votre système est redémarré trop tôt après l'arrêt. Cette fonction oblige le compresseur à attendre quelques minutes avant de redémarrer. Pendant le temps d'attente, l'écran affichera le message **Waiting for Equipment (en attente de l'équipement)** sous la température ambiante.

Une fois le temps d'attente écoulé, le message disparaît et le thermostat affiche "Heat on" (chauffage activé) ou "refroidissement activé".

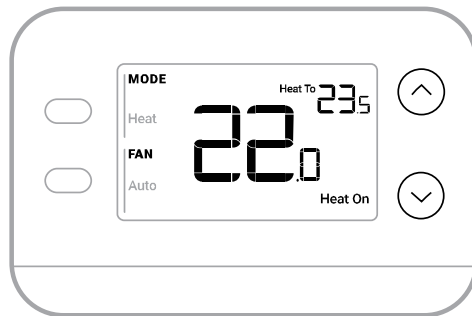


MFCR39564

Installation/remplacement d'une pièce d'accent

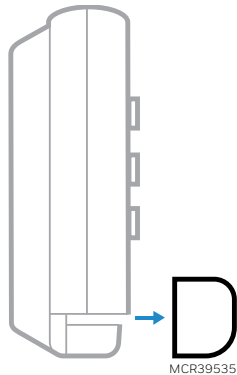
Les pièces d'accent sous marque privée pour les modèles FocusPRO N100

Des pièces de rechange sous marque privée pour les thermostats N100 peuvent être commandées. Des informations sur le programme de marque privée sont disponibles à l'adresse suivante : www.resideo.com/us/en/pro/private-label-program

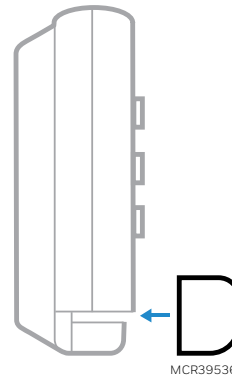


MF39547

Des exemples de pièces d'accent de marque privée pouvant être commandées pour les thermostats sont énumérés ci-dessus.



Pour remplacer une pièce d'accent, retirez-la du thermostat...



...puis enclenchez la nouvelle pièce.

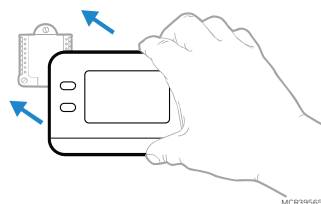
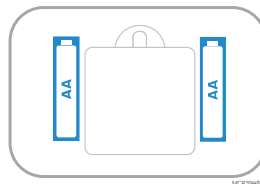
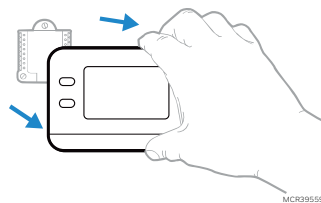
Voir le vidéo à l'adresse suivante:



Remplacement des piles

L'écran du thermostat vous indiquera lorsque les piles sont faibles et doivent être remplacées.

- 1 Retirez le thermostat en le retirant de son support comme indiqué ci-dessous.
- 2 Veillez utiliser des piles AA **neuves** et insérer les comme indiqué.
- 3 Après avoir inséré les nouvelles batteries, alignez le thermostat avec la plaque de montage et poussez doucement jusqu'à ce que le thermostat se remette en place.



Dépannage

<p>L'affichage est vide</p>	<ul style="list-style-type: none"> • Vérifier le disjoncteur et le réinitialiser si nécessaire • Assurez-vous que l'interrupteur du système de chauffage et de refroidissement est allumé • Assurez-vous que la porte de la fournaise est bien fermée <p>Assurez-vous que des piles alcalines AA neuves sont correctement installées. Voir Remplacement des piles</p>
<p>Le chauffage ou la climatisation ne fonctionne pas</p>	<ul style="list-style-type: none"> • Lorsque le chauffage fonctionne, l'écran affiche HEAT ON dans le coin inférieur droit de l'écran • En cas de refroidissement, l'écran affiche COOL ON en bas à droite de l'écran • Si l'écran affiche WAITING FOR EQUIPMENT (en attente de l'équipement) sous la lecture de la température, il est en mode de retard du compresseur pour protéger le système. Attendez 5 minutes pour déterminer si le thermostat émet un appel de chaleur ou de froid • Si l'affichage n'indique pas un appel de chauffage ou de refroidissement ou WAITING FOR EQUIPMENT (en attente de l'équipement), vérifiez le réglage du mode, le point de consigne de température et la température ambiante <p>Si vous appuyez sur la flèche vers le haut ou vers le bas</p> <ul style="list-style-type: none"> • La partie supérieure gauche de l'écran affiche le réglage du mode • La partie supérieure droite de l'écran affiche le point de consigne • Le centre de l'écran affiche la température ambiante <p>Si le problème persiste</p> <ul style="list-style-type: none"> • Vérifier le disjoncteur et le réinitialiser si nécessaire • S'assurer que l'interrupteur du système de chauffage et de refroidissement est en marche • Assurez-vous que la porte de la fournaise est bien fermée
<p>Le chauffage ou le chauffage auxiliaire fonctionne avec le refroidissement</p>	<ul style="list-style-type: none"> • Vérifiez qu'il n'y a pas de fil connecté à W pour les systèmes de thermo pompe. Voir les schémas de câblage. • Pour les applications de thermo pompe, la vanne d'inversion est activée en mode Chauffage sur certaines thermo pompes et en mode Refroidissement pour d'autres thermo pompes. Vérifier que l'UNITÉ de SECURITÉ INTEGRÉE 2060 est réglée correctement • Vérifiez qu'aucun fil n'est court-circuité. Vérifier qu'il n'y a pas de section de fil exposée au niveau de l'UWP
<p>Le chauffage ou le chauffage d'appoint fonctionne sans demande de chauffage ou de refroidissement</p>	<ul style="list-style-type: none"> • Vérifier que l'écran n'indique pas HEAT ON (chauffage allumé), COOL ON (refroidissement allumé) ou AUX HEAT ON (chauffage auxiliaire allumé) • Vérifiez qu'il n'y a pas de fil connecté à W pour les systèmes de thermo pompe. Voir le schéma de câblage. • Vérifiez qu'aucun fil n'est court-circuité. Vérifier qu'il n'y a pas de section de fil exposée au niveau de l'UWP
<p>Impossible de modifier le point de consigne pour obtenir le réglage souhaité</p>	<ul style="list-style-type: none"> • Vérifier le réglage du mode Heat (chaud), Cool (froid), Auto (automatique), ou Em Heat (chauffage d'appoint) en haut à gauche de l'écran <p>Les plages de réglage de ces modes sont les suivantes</p> <ul style="list-style-type: none"> ○ Chauffage ou chauffage d'appoint : 40 °F à 90 °F (4,5 °C à 32,0 °C) ○ Refroidissement : 50 °F à 99 °F (10,0 °C à 37,0 °C) <p>Si le point de consigne peut être ajusté, mais pas sur toute la plage indiquée ci-dessus, le thermostat peut être configuré pour un point de consigne de chauffage maximum ou de refroidissement minimum afin de limiter les réglages qui sont inefficaces sur le plan énergétique.</p>
<p>WAITING FOR EQUIPMENT (En attente de l'équipement) affiché à l'écran sous la température ambiante</p>	<p>La fonction de protection du compresseur est activée. Attendez quelques minutes pour que le système redémarre en toute sécurité afin d'éviter d'endommager le compresseur. Voir la Protection intégrée du compresseur.</p>

Spécifications

Plages de température

Chaleur : 32 °F à 90 °F (0 °C à 32.0 °C)

Refroidissement : 50 °F à 99 °F (10.0 °C à 37.0 °C)

Température ambiante de fonctionnement

32 °F à 120 °F (0 °C à 48.9 °C)

Température ambiante de fonctionnement

32 °F à 102 °F (0 °C à 38.9 °C)

Température d'expédition

-20 °F à 120 °F (-28.9 °C à 48.9 °C)

Humidité relative de fonctionnement

5 % à 90 % (sans condensation)

Dimensions physiques en pouces (mm) (H x L x P)

Thermostat

5-1/8" L x 3-7/16" H x 1-3/16" D

130 mm L x 87 mm H x 29,5 mm P

Plaque de recouvrement

6-1/16" L x 4-3/5" H

154 mm L x 117 mm H

Caractéristiques électriques

a) Puissance d'entrée de l'appareil CA : 1,1 VA, 24 VAC nominal (20-30 VAC), 60 Hz

b) Charges nominales - voir ci-dessous

c) Piles - Deux piles alcalines AA de 1.5 V

Terminal	Tension (60 Hz)	Courant de fonctionnement
W Chauffage	24 Vac	0.02-1.0 A
W Chauffage	750 mV DC	100 mA DC
W2 Chauffage (auxiliaire)	24 Vac	0.02-1.0 A
E Chauffage d'appoint	24 Vac	0.02-0.5 A
Y Niveau 1 du compresseur	24 Vac	0.02-1.0 A
Y2 Niveau 2 du compresseur	24 Vac	0.02-1.0 A
G Ventilateur	24 Vac	0.02-0.5 A
O/B Passage	24 Vac	0.02-0.5 A
L/A Entrée	24 Vac	0.02-0.5 A



ATTENTION : RISQUE ÉLECTRIQUE

Peut provoquer un choc électrique ou des dommages matériels. COUPEZ L'ALIMENTATION AVANT DE COMMENCER L'INSTALLATION.



ATTENTION : RISQUE DE DOMMAGES À L'ÉQUIPEMENT

La protection du compresseur est contournée pendant les tests. Pour éviter d'endommager l'équipement, évitez de faire tourner le compresseur rapidement.



ATTENTION : AVIS CONCERNANT LE MERCURE

Si ce produit remplace un contrôle contenant du mercure dans un tube scellé, ne jetez pas l'ancien contrôle à la poubelle. Contactez les autorités locales chargées de la gestion des déchets pour obtenir des instructions concernant le recyclage et l'élimination correcte des lampes usagées.



ATTENTION : AVIS SUR LES DÉCHETS ÉLECTRONIQUES

Le produit et les piles ne doivent pas être jetés avec les autres déchets ménagers. Vérifiez les centres de collecte agréés les plus proches ou les recycleurs agréés. L'élimination correcte des équipements en fin de vie contribuera à prévenir les conséquences négatives pour l'environnement et la santé humaine.

Déclaration FCC disponible à l'adresse suivante : <https://customer.resideo.com/en-US/support/residential/codes-and-standards/FCC15105/Pages/default.aspx>

Assistance à la clientèle

Pour obtenir de l'aide sur ce produit, veuillez consulter le site customer.resideo.com

Ou appelez le service à la clientèle de Resideo au numéro sans frais 1-800-633-3991

garantie limitée de 5 ans

Pour obtenir des informations sur la garantie, rendez-vous sur honeywellhome.com/support

resideo
www.resideo.com

Resideo Technologies Inc.
Scottsdale, AZ 85254

33-00692EFS-01 L.Y. Rev. 12-24

La marque Honeywell Home est utilisée sous licence de
Honeywell International, Inc.
Ce produit est fabriqué par Resideo Technologies, Inc. et
ses filiales.
2024 Resideo Technologies, Inc.



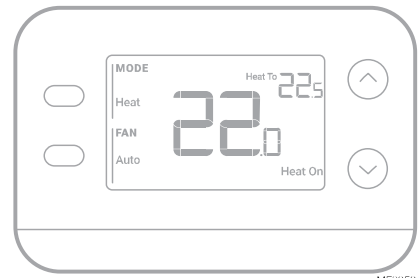
33-00692EFS-01

Honeywell Home

Termostato FocusPRO® Serie N100

Manual de instalación

LEER ANTES DE INSTALAR



El empaque incluye:

- Termostato FocusPRO Serie N100
- Placa de pared UWP™
- Placa de cubierta decorativa con adaptador J-Box
- Tornillos y taquetes
- 2 baterías AA
- Material de Lectura para el termostato

TH1110U4000 N100 No programable
TH1320U4002 N100 No programable

Compatibilidad

TH1110U4000 modelos compatibles con sistemas de calefacción y refrigeración de una etapa de 24 VCA, incluyendo:

- Bombas de calor sin calefacción auxiliar
- Sistemas de aire forzado a gas/gasóleo/eléctrico
- Sistemas de refrigeración de una etapa
- Sistemas de calor radiante hidrónico
- Serpentín de agua caliente
- 750 MV

TH1320U4002 modelos compatibles con la mayoría de los sistemas de calefacción y refrigeración de 24 VCA, incluyendo:

- Bombas de calor con 1 ó 2 etapas de compresor y calefacción auxiliar
- Sistemas de combustible dual
- Sistemas de aire forzado a gas/gasóleo/eléctrico de 1 o 2 etapas
- Sistemas de refrigeración de 1 ó 2 etapas
- Calor Hidrónico Radiante
- Serpentín de agua caliente
- 750 MV
- Terminales S para sensor exterior cableado C7089U1006 (utilizado para bloqueo de calefacción auxiliar o punto de equilibrio en sistemas de bomba de calor)

Introducción

En este documento se tratan los siguientes temas (haga clic para consultar éstas secciones):

- [Instalación de la cubierta de pared UWP](#)
- [Opciones de alimentación](#)
- [Diagramas de cableado](#)
- [Montaje del termostato](#)
- [Configuración](#)
- [Protección del compresor](#)
- [Instalación/reemplazo de la pieza decorativa](#)
- [Reemplazo de las baterías](#)
- [Solución de problemas](#)
- [Especificaciones](#)

Contenido (haga clic para saltar a esa página)

Introducción	1
Instalación de la cubierta de pared UWP	3
Instalación de Cubierta opcional.....	3
Opciones de alimentación	3
Ajuste de las pestañas deslizantes	4
Designación de las terminales de cableado	4
Diagramas de cableado	5
Solo calefacción: horno a gas o gasóleo	5
Sólo refrigeración	5
Calentador de agua, sólo calefacción.....	5
1H/1C: Horno de gas.....	5
sistema de 2 transformadores, 1H/1C: Horno de gasóleo con aire acondicionado.....	6
sistema de 2 transformadores, calefacción por agua caliente con aire acondicionado (o serpentín de agua caliente).....	6
2H/1C: Horno a gas	6
2H/2C: Horno a Gas.....	6
Calefacción por agua caliente con válvula de zona abierta	7
Válvula de zona serie 20 con sistema de apertura y cierre automáticos para agua caliente	7
1H/1C: Bomba de calor sin calefacción auxiliar	7
2H/1C: Bomba de calor con calefacción auxiliar eléctrica	7
3H/2C: Bomba de calor con calefacción auxiliar eléctrica	8
Combustible dual, 2H/1C: Bomba de calor.....	8
Combustible dual 3H/2C: Bomba de calor	9
Montaje del termostato	9
Configuración y ajustes	9
Opciones del instalador.....	9
Prueba del instalador.....	13
Ajustes de funcionamiento del sistema	14
Ajustes de funcionamiento del ventilador.....	14
Cambio automático	15
Alertas.....	15
Recordatorio de sustitución del filtro	15
Protección integrada del compresor	16
Instalación/reemplazo de la pieza decorativa	16
Reemplazo de las baterías	17
Solución de problemas	18
Especificaciones	19
Valores eléctricos	19
Asistencia al cliente	20
5 años de garantía limitada.....	20

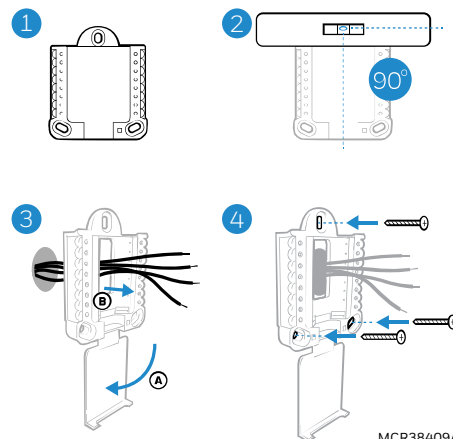
A lo largo del documento, verá referencias a diferentes partes del contenido. Por ejemplo:

Ver [Configuración de pestañas deslizantes](#). Haga clic en el enlace del texto para ir directamente a esa ubicación.

Instalación de la cubierta de pared UWP

Si se utiliza la Cubierta, el UWP se coloca cómo se muestra a continuación.

- 1 Antes de comenzar, desconecte la alimentación en la caja de interruptores, o interruptor. Abra el paquete para encontrar el UWP. Consulte la figura 1.
- 2 Coloque el UWP en la pared. Nivele y marque las posiciones de los orificios. Consulte la figura 2.
- 3 Utilizando una broca de 3/16", taladre los agujeros en las posiciones marcadas y luego golpee ligeramente los taquetes (incluidos) en la pared utilizando un martillo.
- 4 Tire de la compuerta para abrirla e inserte los cables a través del orificio de cableado del UWP. Consulte la figura 3.
- 5 Coloque el UWP sobre los taquetes. Inserte y apriete los tornillos de montaje incluidos. No apriete demasiado. Apriete hasta que el UWP ya no se mueva. Cierre la puerta. Consulte la figura 4.



MCR38409A

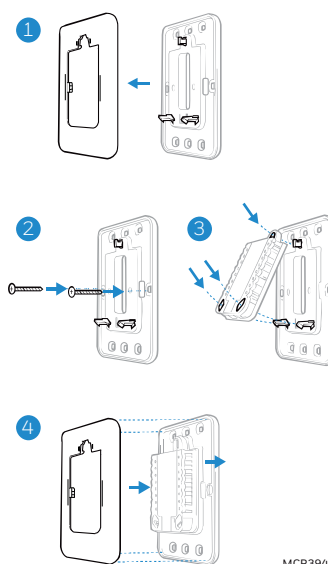
Utilice 3 tornillos #6 de 1-1/2" (incluidos)

Instalación de Cubierta opcional

Si no se requiere la Placa de Cubierta Opcional, consulte **Instalación de la Placa de Pared UWP**.

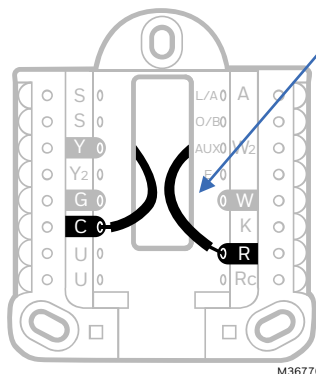
Utilice la Cubierta Opcional cuando necesite cubrir un hueco de pintura del termostato antiguo.

- 1 Separe la Cubierta de la placa de montaje (Figura 1).
- 2 Coloque la placa de montaje en la pared o en la caja en J, utilizando cualquiera de los 8 orificios para tornillos. Inserte y apriete los tornillos incluidos en el kit. No apriete demasiado. Consulte la figura 2. Asegúrese de que la placa de montaje está nivelada.
- 3 Fije el UWP colgándolo en el gancho superior de la placa de montaje y luego encajando la parte inferior en su lugar. Consulte la figura 3.
- 4 Encaje la Cubierta en la placa de montaje. Consulte la figura 4.



MCR39488

Opciones de alimentación

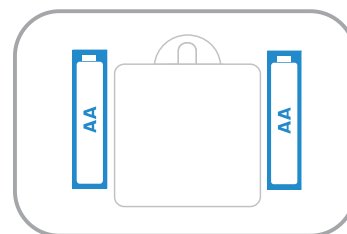


Inserte los cables **R** y **C** en las terminales designadas para la alimentación primaria de CA. (La terminal **C** es **opcional** si hay baterías instaladas, pero de cualquier manera **se recomienda**). Retire los cables presionando hacia abajo las lengüetas de los terminales.

Termostatos que utilizan cables Y y G:

Si no hay cable C del termostato anterior o no hay cable adicional en el paquete que va al termostato, puede utilizar el adaptador de cable C **THP9045A** (se vende por separado).

Para obtener más información sobre el adaptador de cable C THP9045A, vaya a: <https://customer.resideo.com/resources/Techlit/TechLitDocuments/33-00000s/33-00618.pdf>



Inserte baterías AA para energía primaria o de respaldo

MCR39489

Ajuste de las pestañas deslizantes

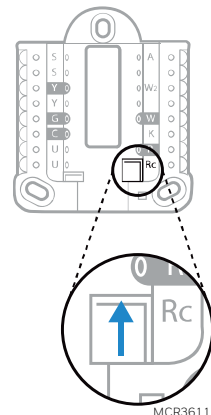
Ajuste de la pestaña deslizante R

Utilice el puente incorporado (pestaña deslizante R) para diferenciar entre uno o dos sistemas de transformadores.

- Si sólo hay un cable R y está conectado a la terminal R, Rc o RH, coloque la pestaña deslizante en la posición hacia arriba (1 cable).
- Si hay un cable conectado al terminal R y un cable conectado al terminal Rc, coloque la pestaña deslizante en la posición hacia abajo (2 cables).

Las pestañas deslizantes de las terminales U deben dejarse en su sitio para los modelos FocusPRO N100.

Placa de pared UWP



MCR36115

Pestaña deslizante R/Rc

Designación de las terminales de cableado

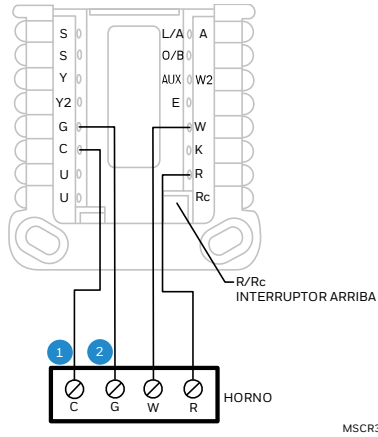
S	Sensor exterior cableado C7089U1006	L/A - A	Entrada de falla de la bomba de calor	
S	(Sólo TH1320U4002)	O/B	Válvula de cambio	
Y	Contactor del compresor (etapa 1)	AUXILI AR -W2	Calefacción auxiliar Calefacción (etapa 2) (sólo TH1320U4002)	<p>MCR39537</p> <p>Los terminales más utilizados aparecen sombreados en la ilustración anterior.</p>
Y2	Contactor del compresor (etapa 2) (sólo TH1320U4002)	E	Calefacción de emergencia (sólo TH1320U4002)	
G	Ventilador	W	Calor (etapa 1)	
C	Común (24V c. a.). Para sistemas de 2 transformadores, utilice el cable común del transformador de refrigeración.	K	Al adaptador de cable C THP9045A si es necesario	
U	No se utiliza en éstos modelos	R	Alimentación de 24V c. a. del transformador de calefacción*	
U		Rc	Alimentación de 24V c. a. del transformador de refrigeración*	

* La terminal se puede puentear usando la pestaña deslizante. Consulte **Ajuste de las pestañas deslizantes**.

Diagramas de cableado

Solo calefacción: horno a gas o gasóleo

Modelos compatibles: Todos los N100

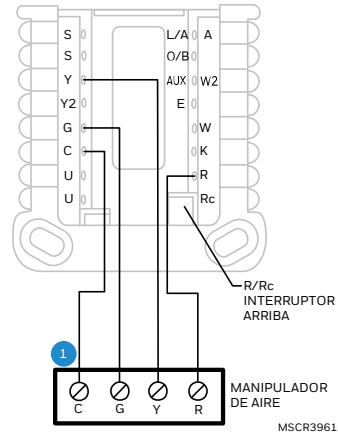


MSCR39610A

- 1: OPCIONAL COMÚN
- 2: G UTILIZADO SÓLO PARA EL CONTROL INDEPENDIENTE DEL VENTILADOR. (LA MAYORÍA DE LOS SISTEMAS DE AIRE FORZADO [A GAS O GASÓLEO] QUE SOLO **FUNCIONAN CON CALEFACCIÓN**, NO UTILIZAN UN CABLE DE VENTILADOR [G])

Sólo refrigeración

Modelos compatibles: Todos los N100

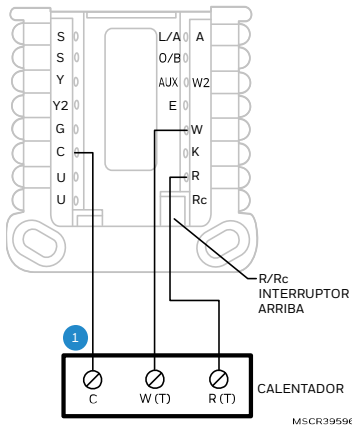


MSCR39611A

- 1: OPCIONAL COMÚN

Calentador de agua, sólo calefacción.

Modelos compatibles: Todos los N100

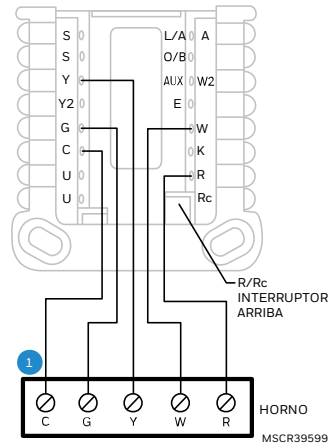


MSCR39596

- 1: OPCIONAL COMÚN

1H/1C: Horno de gas

Modelos compatibles: Todos los N100

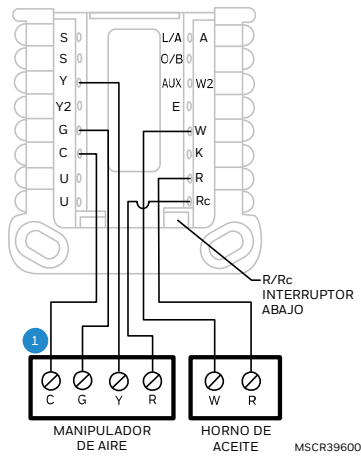


MSCR39599

- 1: OPCIONAL COMÚN.

**sistema de 2 transformadores, 1H/1C:
Horno de gasóleo con aire acondicionado**

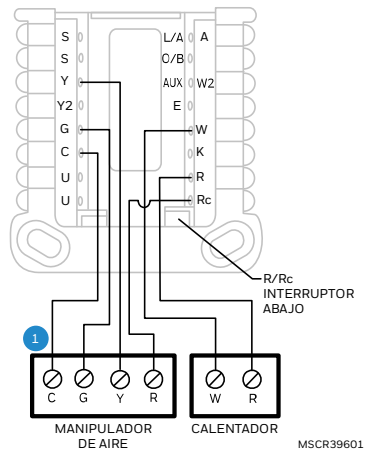
Modelos compatibles: Todos los N100



1: OPCIONAL COMÚN.

**sistema de 2 transformadores, calefacción
por agua caliente con aire acondicionado (o
serpentin de agua caliente)**

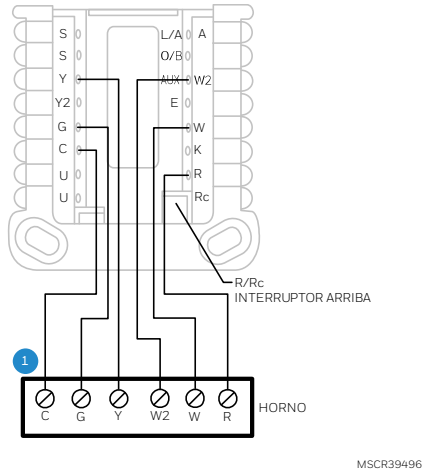
Modelos compatibles: Todos los N100



1: OPCIONAL COMÚN.

2H/1C: Horno a gas

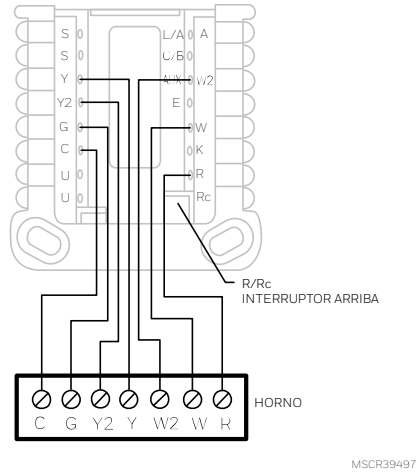
Modelo compatible: Sólo modelos TH1320U4002



1: OPCIONAL COMÚN

2H/2C: Horno a Gas

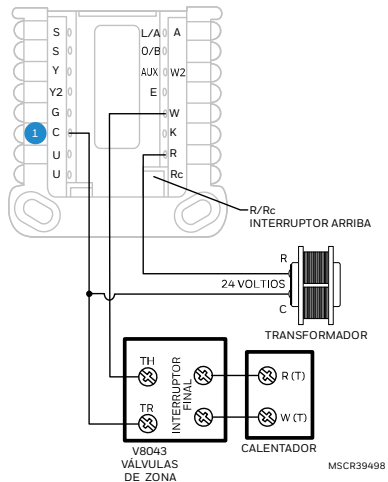
Modelo compatible: Sólo modelos TH1320U4002



1: OPCIONAL COMÚN

Calefacción por agua caliente con válvula de zona abierta

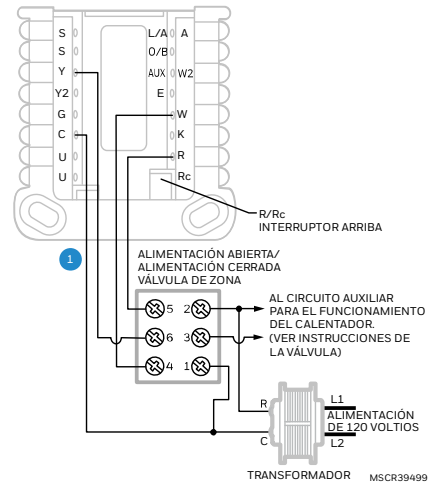
Modelos compatibles: Todos los N100



1: OPCIONAL COMÚN AL TERMOSTATO

Válvula de zona serie 20 con sistema de apertura y cierre automáticos para agua caliente

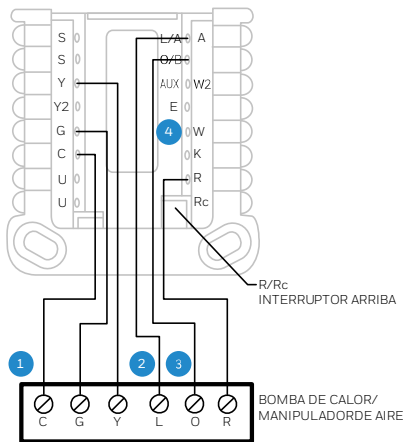
Modelos compatibles: Todos los N100 ²



1: OPCIONAL COMÚN AL TERMOSTATO
2: EL TERMOSTATO DEBE CONFIGURARSE PARA CALOR RADIANTE CON 0 (CERO) ETAPAS DE REFRIGERACIÓN

1H/1C: Bomba de calor sin calefacción auxiliar

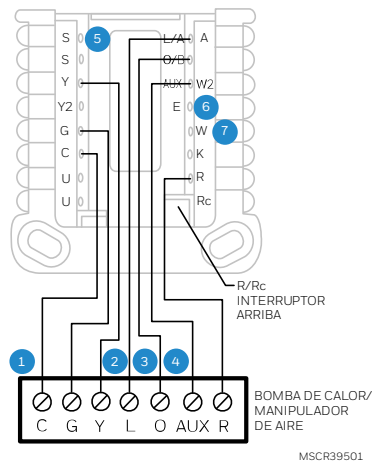
Modelos compatibles: Todos los N100



1: OPCIONAL COMÚN
2: L SÓLO SE CONECTA SI LA BOMBA DE CALOR TIENE UNA TERMINAL DE FALLA
3: ALGUNAS BOMBAS DE CALOR UTILIZAN **B** EN LUGAR DE **O** PARA LA VÁLVULA DE INVERSIÓN
4: **IMPORTANTE: NO CONECTE NINGÚN CABLE A W PARA APLICACIONES DE BOMBA DE CALOR! ESTO PUEDE HACER QUE EL CALOR FUNCIONE CONTINUAMENTE.**

2H/1C: Bomba de calor con calefacción auxiliar eléctrica

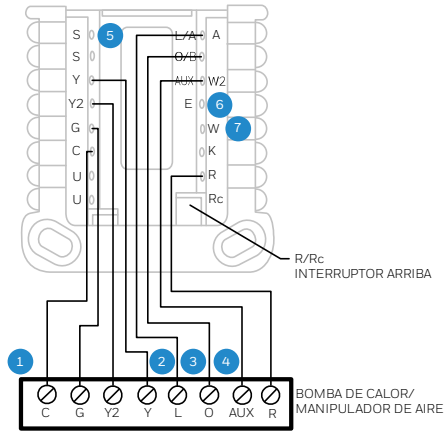
Modelo compatible: sólo modelos TH1320U4002 ⁶



1: OPCIONAL COMÚN
2: L SÓLO SE CONECTA SI LA BOMBA DE CALOR TIENE UNA TERMINAL DE FALLA
3: ALGUNAS BOMBAS DE CALOR UTILIZAN **B** EN LUGAR DE **O** PARA LA VÁLVULA DE INVERSIÓN
4: LA TERMINAL DE CALEFACCIÓN AUXILIAR DE LOS DIVERSOS MODELOS DE BOMBA DE CALOR, PUEDE TENER ETIQUETADO DIFERENTE AL MOSTRADO. CONSULTE LA GUÍA DE CABLEADO DE LA BOMBA DE CALOR
5: SI SE REQUIERE BLOQUEO DE LA CALEFACCIÓN AUXILIAR EN CASO DE ALTA TEMPERATURA EXTERIOR, CONECTE EL CABLE C7089U1006 A LAS DOS TERMINALES **S**
6: LA MAYORÍA DE LAS BOMBAS DE CALOR COMPARTEN EL MISMO CONJUNTO DE TIRAS PARA **AUX** (auxiliar) y **EM HEAT** (calefacción de emergencia). EN ESTOS CASOS, **E** NO SE UTILIZA. EL MODELO TH1320U4002 PUEDE CONFIGURARSE PARA **AUX** Y **EPOR** SEPARADO. EN ESTE CASO, CONECTE UN JUEGO DE TIRAS A **E** PARA QUE SE ENERGICE EN **EM HEAT** (CALEFACCIÓN DE EMERGENCIA) Y OTRO JUEGO DE TIRAS A **AUX** PARA QUE SE ENERGICEN EN **AUX HEAT** (CALEFACCIÓN AUXILIAR).
7: **IMPORTANTE: ¡NO CONECTE NINGÚN CABLE A W PARA APLICACIONES DE BOMBAS DE CALOR! ESTO PUEDE HACER QUE EL CALOR FUNCIONE CONTINUAMENTE.**

3H/2C: Bomba de calor con calefacción auxiliar eléctrica

Modelo compatible: TH1320U4002 solamente

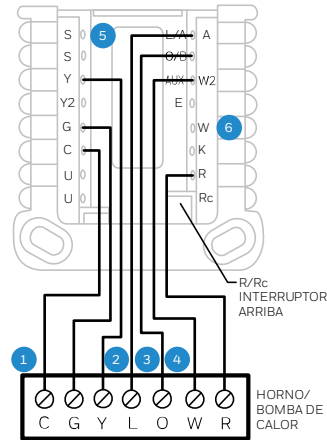


MSCR39502

- 1: OPCIONAL COMÚN.
- 2: **L** SÓLO SE CONECTA SI LA BOMBA DE CALOR TIENE UNA TERMINAL DE FALLA.
- 3: ALGUNAS BOMBAS DE CALOR UTILIZAN **B** EN LUGAR DE **O** PARA LA VÁLVULA DE INVERSIÓN.
- 4: LA TERMINAL DE CALEFACCIÓN AUXILIAR DE LOS DIVERSOS MODELOS DE BOMBA DE CALOR, PUEDE TENER ETIQUETADO DIFERENTE AL MOSTRADO. CONSULTE LA GUÍA DE CABLEADO DE LA BOMBA DE CALOR.
- 5: SI SE REQUIERE EL BLOQUEO DE LA **CALEFACCIÓN AUXILIAR** EN CASO DE TEMPERATURA EXTERIOR ALTA, CONECTE C7089U1006 A LAS DOS TERMINALES **S**.
- 6: LA MAYORÍA DE LAS BOMBAS DE CALOR COMPARTEN EL MISMO CONJUNTO DE TIRAS PARA **AUX (auxiliar)** y **EM HEAT (calefacción de emergencia)**. EN ESTOS CASOS, **E** NO SE UTILIZA. EL MODELO TH1320U4002 PUEDE CONFIGURARSE PARA **AUX** Y **EPOR** SEPARADO. EN ESTA SITUACIÓN, CONECTE UN CONJUNTO DE TIRAS **A E** PARA QUE SE ENERGICEN EN **EM HEAT (CALEFACCIÓN DE EMERGENCIA)** Y UN CONJUNTO DIFERENTE DE TIRAS **A AUX** PARA QUE SE ENERGICEN EN **AUX HEAT (CALEFACCIÓN AUXILIAR)**.
- 7: **¡IMPORTANTE: ¡NO CONECTE NINGÚN CABLE A W PARA APLICACIONES DE BOMBAS DE CALOR! ESTO PUEDE HACER QUE LA BOMBA DE CALOR FUNCIONE CONTINUAMENTE.**

Combustible dual, 2H/1C: Bomba de calor

Modelo compatible: TH1320U4002 solamente

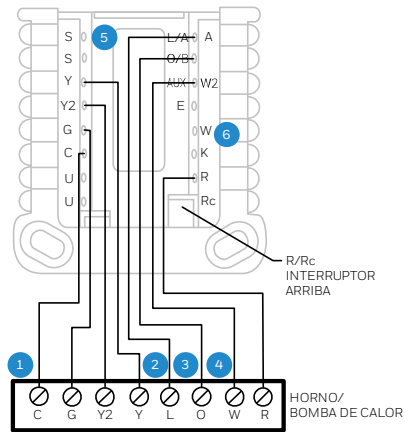


MSCR39503

- 1: OPCIONAL COMÚN.
- 2: **L** SÓLO SE CONECTA SI LA BOMBA DE CALOR TIENE UNA TERMINAL DE FALLA.
- 3: ALGUNAS BOMBAS DE CALOR UTILIZAN **B** EN LUGAR DE **O** PARA LA VÁLVULA DE INVERSIÓN.
- 4: LA BOMBA DE CALOR Y EL HORNO TIENEN PLACAS SEPARADAS. SE MUESTRAN JUNTAS AQUÍ PARA SIMPLIFICAR ESTE DIAGRAMA. **W** ES DE LA PLACA DEL HORNO.
- 5: CONECTE C7089U1006 A LAS DOS TERMINALES **S**.
- 6: **¡IMPORTANTE: ¡NO CONECTE NINGÚN CABLE A W PARA APLICACIONES DE BOMBAS DE CALOR! ESTO PUEDE HACER QUE LA BOMBA DE CALOR FUNCIONE CONTINUAMENTE.**

Combustible dual 3H/2C: Bomba de calor

Modelo compatible: TH1320U4002

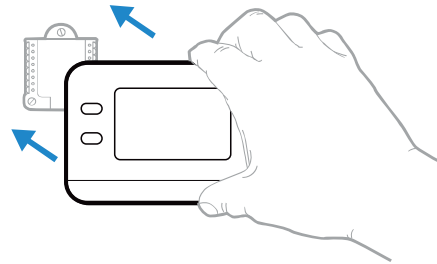


MSCR39504

- 1: OPCIONAL COMÚN.
- 2: **L** SÓLO SE CONECTA SI LA BOMBA DE CALOR TIENE UNA TERMINAL DE FALLA.
- 3: ALGUNAS BOMBAS DE CALOR UTILIZAN **B** EN LUGAR DE **O** PARA LA VÁLVULA DE INVERSIÓN.
- 4: LA BOMBA DE CALOR Y EL HORNO TIENEN PLACAS SEPARADAS. SE MUESTRAN JUNTAS AQUÍ PARA SIMPLIFICAR ESTE DIAGRAMA. **W** ES DE LA PLACA DEL HORNO.
- 5: CONECTE C7089U1006 A LAS DOS TERMINALES **S**.
- 6: **¡IMPORTANTE!** ¡NO CONECTE NINGÚN CABLE A **W** PARA APLICACIONES DE BOMBAS DE CALOR! ESTO PUEDE HACER QUE LA BOMBA DE CALOR FUNCIONE CONTINUAMENTE.

Montaje del termostato

- 1 Empuje el exceso de cable nuevamente dentro de la abertura de la pared.
- 2 Cierre la puerta del UWP. Debe permanecer cerrada sin abultarse.
- 3 Alinee el UWP con el termostato y empuje suavemente hasta que éste encaje en su lugar.
- 4 Encienda la alimentación en la caja de disyuntores o el interruptor.



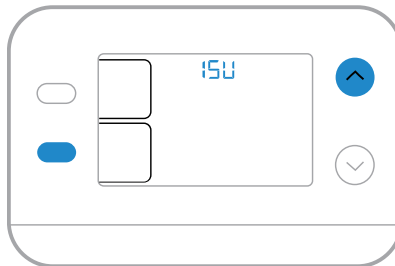
MSCR39565

Configuración y ajustes

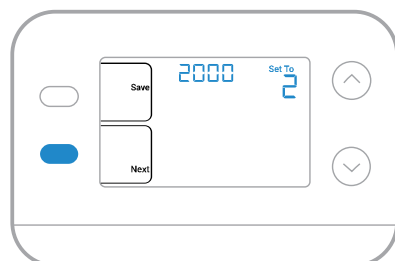
Opciones del instalador

En la configuración inicial, el termostato entrará en el menú ISU. Si entra en el menú ISU después de la configuración inicial, siga los pasos que se indican a continuación:

- 1 **Mantenga presionados** el botón inferior izquierdo y el botón **de flecha hacia arriba** durante 5 segundos para acceder al **menú de configuración del instalador (INSTALLER SETUP - ISU)**.
- 2 El número ISU está a la izquierda. El ajuste ISU está a la derecha.
Cuando aparezca un **número ISU**, presione o para cambiar la configuración.
- 3 Después de elegir la configuración correcta para una ISU, presione **NEXT** para avanzar al siguiente ajuste de ISU.
- 4 Para finalizar la configuración, pulse el botón **SAVE & EXIT (guardar y salir)**.



MSCR39544



MSCR39545

Opciones de configuración del instalador (ISU)

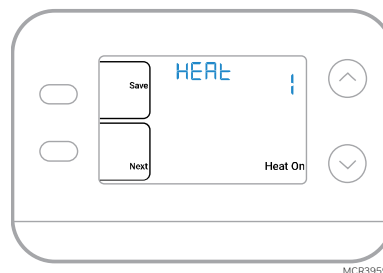
Dependiendo de la configuración del sistema, es posible que no todas las opciones estén disponibles		
#ISU	Nombre de la ISU	Opciones de la ISU (los valores predeterminados están resaltados)
1050	Escala de indicación de temperatura	F = Fahrenheit C = Celsius
1060	Sensor exterior (Sólo TH1320U4002). Sólo para bloqueos. (No se muestra en pantalla)	0 = Ninguno 1 = Sensor exterior cableado
2000	Tipo de sistema de calefacción	1 = Calefacción de aire forzado convencional 2 = Bomba de calor 3 = Calor radiante 5 = Ninguno (Sólo frío)
2010	Tipo de equipo de calefacción	<i>Calefacción convencional de aire forzado:</i> 1 = Aire forzado a gas de eficiencia estándar 2 = Aire forzado a gas de alta eficiencia 3 = Aire forzado con aceite 4 = Aire forzado eléctrico 5 = Ventiladorconvector de agua caliente <i>Bomba de calor:</i> 7 = Bomba de calor aire-aire 8 = Bomba de calor geotérmica <i>Calor Radiante:</i> 9 = Calor radiante por agua caliente 12 = Vapor
2060	Válvula de inversión O/B	0= O (O/B en Refrigeración) 1=B (O/B en Calefacción)
2070	Etapas del compresor	0, 1, 2 Sólo 1 etapa de compresor disponible en TH1110U4000
2071	Etapas de calefacción / Etapas de calefacción de reserva	Etapas de Calor: 1, 2 Etapas de calefacción de reserva: 0, 1 (sólo TH1320U4002)
2110	Control de Ventilador en Calor	1 = El equipo controla el ventilador 2 = Termostato controla el ventilador (Sólo se muestra si 2010 = 4 ó 5)
2175	Control de terminal Aux/E (Sólo TH1320U4002)	0 = Activa ambos Aux y E juntos 1 = Aux y E independientes
2180	Fuente de calefacción de reserva (sólo bomba de calor) (Sólo TH1320U4002)	31 = Aire forzado eléctrico 32 = Aire forzado a gas de eficiencia estándar 33 = Aire forzado a gas de alta eficiencia
2185	Fuente de calefacción de emergencia (Sólo TH1320U4002)	34 = Aire forzado ppor aceite, ventiladorconvector de agua caliente 9 = Calor radiante por agua caliente 36 = Otra
3000	Cambio de sistema	0 = Manual 1 = Automático
3015	Cambio automático Diferencial	0 °F a 5 °F 0.0 °C a 2,5 °C <i>El ajuste diferencial es el número mínimo de grados desde el punto de ajuste necesarios para cambiar del último modo en funcionamiento (calefacción o refrigeración) al modo opuesto cuando el termostato está en cambio automático.</i>
3020	Finalizar con etapa de calefacción alta	0 = No 1 = Sí (Sólo TH1320U4002)
3021	Finalizar con etapa de refrigeración alta	0 = No 1 = Sí (Sólo TH1320U4002)

#ISU	Nombre de la ISU	Opciones de la ISU (los valores predeterminados están resaltados)	
3090	Descenso de la calefacción de reserva	0 = Confort 2 °F a 15 °F (en incrementos de 1 °F) 1.0 °C a 7,5 °C (en incrementos de 0,5 °C). el ajuste 0 (confort) sólo está disponible si la Calefacción de Respaldo (ISU 2180) está configurada en Eléctrica. Sólo TH1320U4002.	
3110	Temporizador secundario para la calefacción de reserva	0 = Apagado 1 = 30 minutos 2 = 45 minutos 3 = 60 minutos 4 = 75 minutos 5 = 90 minutos 6 = 2 horas 7 = 3 horas	8 = 4 horas 9 = 5 horas 10 = 6 horas 11 = 8 horas 12 = 10 horas 13 = 12 horas 14 = 14 horas 15 = 16 horas
		(Sólo TH1320U4002) Si 3090 = 0 y 2180 = 31, 3110 sólo tiene ajustes 0-3).	
3120	Bloqueo del compresor / Punto de equilibrio (Sólo TH1320U4002)	0 = Apagado 1 = -15°F (-26°C) 2 = -10°F (-23,5°C) 3 = -5°F (-20,5°C) 4 = 0°F (-18°C) 5 = 5°F (-15°C) 10 = 10°F (-12°C) 15 = 15°F (-9,5°C) 20 = 20°F (-6,5°C)	25 = 25°F (-4°C) 30 = 30°F (-1°C) 35 = 35°F (1,5°C) 40 = 40°F (4,5°C) 45 = 45°F (7°C) 50 = 50°F (10°C) 55 = 55°F (13°C) 60 = 60°F (15,5°C)
3121	Bloqueo de calefacción de respaldo para exteriores (Sólo TH1320U4002)	0 = Apagado 5 = 5°F (-15°C) 10 = 10°F (-12°C) 15 = 15°F (-9,5°C) 20 = 20°F (-6,5°C) 25 = 25°F (-4°C) 30 = 30°F (-1°C)	35 = 35°F (1,5°C) 40 = 40°F (4,5°C) 45 = 45°F (7°C) 50 = 50°F (10°C) 55 = 55°F (13°C) 60 = 60°F (15,5°C) 65 = 65°F (18,5°C)
3125	Bloqueo del ventilador tras una llamada de refrigeración	[0] = Desactivado 1 = 5 min 2 = 10 min 3 = 15 min 4 = 20 min 5 = 25 min 6 = 30 min 7 = 35 min 8 = 40 min 9 = 45 min 10 = 50 min 11 = 55 min 12 = 60 min	13 = 65 min 14 = 70 min 15 = 75 min 16 = 80 min 17 = 85 min 18 = 90 min 19 = 95 20 = 100 min 21 = 105 min 22 = 110 min 23 = 115 min 24 = 120 min
3140	Frecuencia del ciclo del compresor (etapa 1)	1 - 6	
3141	Frecuencia del ciclo del compresor (etapa 2)	1 - 6 (sólo TH1320U4002)	
3150	Frecuencia del ciclo de calefacción (etapa 1)	1 - 12	
3151	Frecuencia del ciclo de calefacción (etapa 2)	1 - 12 (sólo TH1320U4002)	
3160	Frecuencia del ciclo de la calefacción auxiliar	1 - 12 (sólo TH1320U4002)	
3165	Frecuencia del ciclo de la calefacción de emergencia	1 - 12 (sólo TH1320U4002)	
3240	Protección del compresor	0 = Apagado 1 = 5 minutos	
4100	Punto de ajuste máximo de refrigeración	50°F a 99°F 10°C a 37°C	
4101	Punto de ajuste mínimo de refrigeración	50°F a 99 °F 10.0°C a 37,0 °C	
4102	Punto de ajuste máximo de calefacción	40 °F a 90°F 4,5°C a 32.0°C	
4103	Punto de ajuste mínimo de calefacción	32 °F a 50 °F (el valor predeterminado es 40 °F) 0 °C a 10,0 °C (el valor predeterminado es 4,5 °C)	

7110	Filtro de aire Recordatorio de reemplazo	0 = Apagado 1 = 10 días de funcionamiento 2 = 20 días de funcionamiento 3 = 30 días de funcionamiento 4 = 45 días de funcionamiento 5 = 60 días de funcionamiento 6 = 90 días de ejecución 7 = 120 días de ejecución 8 = 150 días corridos 9 = 30 días naturales	10 =45 días naturales 11 =60 días naturales 12 =75 días naturales 13 =3 meses naturales 14 =4 meses naturales 15 =5 meses naturales 16 =6 meses naturales 17 =9 meses naturales 18 =12 meses naturales 19 =15 meses naturales
14003	Retroiluminación	0 = Bajo demanda 1 = Continua <i>Se necesita un cable común para mantener el brillo de la luz de fondo</i>	
14004	de forma continua.	1 - 5 (Sólo se muestra si se ha seleccionado <i>Retroiluminación continua</i>)	
14005	Selección de la pantalla de inactividad	0 - Información mínima mostrada 2 - Información máxima mostrada en pantalla	
14020	Ajuste del indicador de temperatura	-3 a 3 F (0) -1,5 a 1,5 C (0)	

Prueba del instalador

- 1 Una vez finalizada la CONFIGURACIÓN DEL INSTALADOR, el N100 entra en el modo **PRUEBA DEL INSTALADOR**.
- 2 La pantalla mostrará el modo de prueba actual. Para probar el modo mostrado, pulse **↑**. Si está probando calefacción o refrigeración en un equipo multietapa, al presionar por segunda vez el botón **↑** se indicará una llamada para la Etapa 2.
- 3 Presione **NEXT (siguiente)** para avanzar al siguiente modo en el menú de prueba. Los ajustes posibles en el menú de prueba son **Heat (calefacción)**, **Cool (refrigeración)**, **Em Heat (calefacción de emergencia)**, **Fan (ventilador)**.



Prueba del sistema	Estado del sistema	
Las áreas sombreadas a continuación <u>sólo</u> se aplican a a TH1320U4002		
Calefacción	0	Todo Apagado
	1	Etapa de calefacción 1 activada
	2	Etapa de calefacción 2 también activada
	3	Etapa de calefacción 3 también activada
Refrigeración	0	Todo Apagado
	1	Etapa de refrigeración 1 activada
	2	Etapa de frío 2 también activada
Calefacción de emergencia	0	Todo Apagado
	1	Calefacción de Emergencia activada
Ventilador	0	Ventilador apagado
	1	Ventilador encendido

Nota: Si el ISU 1060 está configurado para un sensor exterior cableado, la lectura de ese sensor se muestra en la pantalla después de recorrer el menú de prueba del instalador, pero no se muestra en la pantalla de inicio.

Ajustes de funcionamiento del sistema

- 1 Presione el botón **MODE (MODO)** para pasar al siguiente modo disponible del Sistema
- 2 Recorra los modos hasta que se muestre el modo de sistema deseado

Los modos disponibles varían según el modelo y la configuración del sistema.

Modos del sistema:

- **AUTO (automático)**
- **HEAT (calefacción)**
- **COOL (refrigeración)**
- **EM HEAT (calefacción de emergencia)**
- **OFF (apagado)**

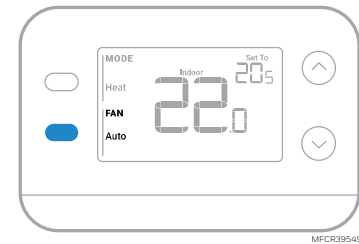
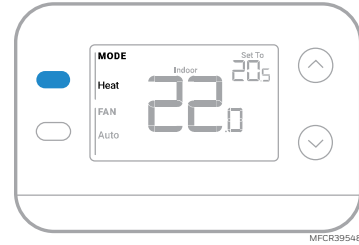
Ajustes de funcionamiento del ventilador

- 1 Presione el botón **FAN** para pasar al siguiente modo de ventilador disponible.
- 2 Navegue por los modos del ventilador hasta que aparezca el modo deseado

Los modos de Ventilador disponibles varían según los ajustes del sistema.

Modos de ventilador:

- **AUTO (automático)**: El ventilador funciona sólo cuando el sistema de calefacción o refrigeración está encendido
- **ON (encendido)**: El ventilador está siempre encendido
- **CIRC**: El ventilador funciona aproximadamente el 33% del tiempo para hacer circular el aire



Cambio automático

Cuando un termostato está configurado en cambio automático, el termostato tiene un punto de ajuste de calor y un punto de ajuste de frío y puede funcionar en calor o frío según sea necesario.

- 1 Verifique que el termostato esté configurado en modo de cambio automático. Presione el botón **MODE** en la parte superior izquierda hasta seleccionar **AUTO**. Presione el botón **SAVE (guardar)** (centro izquierda).
- 2 Presione el **↑** o el botón **↓**. En la parte superior derecha se muestra **HEAT TO (calefacción a)** o **COOL TO (refrigeración a)** en texto parpadeante, así como el punto de ajuste. Utilice los botones **↑** o **↓** para configurar el punto de ajuste. Si la pantalla muestra **HEAT TO (calefacción a)** parpadeando cuando desea cambiar el punto de ajuste de la refrigeración, o viceversa, presione el botón System. Mientras **HEAT TO (calefacción a)** o **COOL TO (refrigeración a)** parpadeen, la indicación de modo arriba a la izquierda también muestra **HEAT (calefacción)** o **COOL (refrigeración)** parpadeando. Al presionar el botón **MODE** en este momento, el punto de ajuste pasa de **HEAT (calefacción)** a **COOL (refrigeración)** o viceversa.

Calefacción y refrigeración ajustados a la misma temperatura


La mayoría de los usuarios se sienten cómodos en un rango de temperatura de 2 a 3 grados. Por lo tanto, la calefacción suele ajustarse unos grados por debajo del punto de ajuste de refrigeración. Cuando la temperatura interior está entre los puntos de ajuste de calefacción y refrigeración, el sistema está apagado.

Los puntos de ajuste de calefacción y refrigeración pueden ser los mismos. Para garantizar que el sistema no realice ciclos de ida y vuelta entre calefacción y refrigeración, el termostato obedece un ajuste **diferencial** (configurado por el instalador). Si el termostato funcionó por última vez en modo calefacción, éste activa y desactiva la calefacción de forma cíclica para mantener el punto de ajuste. La temperatura interior debe aumentar hasta el ajuste diferencial antes de cambiar a refrigeración.

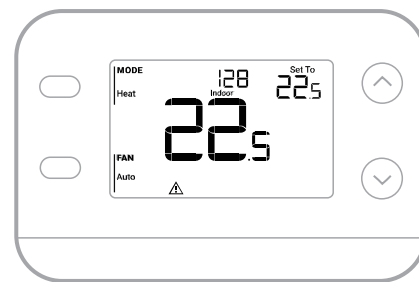
Luego, la refrigeración se reducirá hasta su punto de ajuste, y el ciclo se activará y desactivará para mantenerlo según sea necesario. A continuación, el termostato tendría que bajar al ajuste diferencial antes de volver a cambiar a calefacción.

Normalmente, un termostato que utiliza cambio automático solo necesitaría cambiar dos veces al día, ya que la temperatura exterior aumenta durante el día y disminuye durante la noche.

Alertas

When an alert is active, this icon  will appear in the lower part of the display. Al presionar cualquier botón se activará la pantalla y se mostrará el número de alerta encima de la lectura de la temperatura interior. Si hay más de una alerta activa, el termostato mostrará el número de la siguiente alerta transcurridos 10 segundos.


Algunas alertas pueden ser resueltas por el propietario, por ejemplo **"Replace Batteries" (Reemplazar baterías)**. Otras alertas pueden requerir una llamada de servicio al instalador profesional.

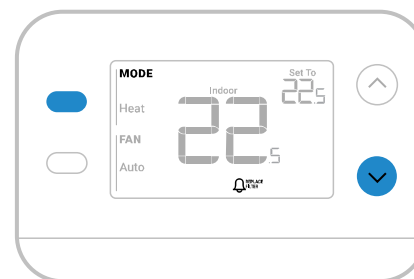


MF39630

Número de alerta	Significado de alerta
405	Baterías bajas
407	Baterías críticamente bajas
164	La bomba de calefacción ha detectado una falla
170	Falla en la memoria del termostato
173	Error del sensor interno
178	Error del sensor exterior cableado. Compruebe los cables y las conexiones al sensor exterior.

Recordatorio de sustitución del filtro

Cuando se produce un recordatorio de sustitución del filtro, este icono  aparecerá en la parte inferior de la pantalla junto con el mensaje **Sustituir Filtro**. Después de reemplazar el filtro del horno, puede restablecer este recordatorio presionando y manteniendo presionados los botones superior izquierdo e inferior derecho durante 5 segundos.

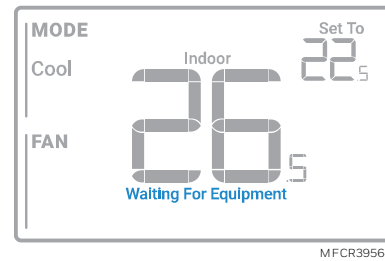


MFCR39552

Protección integrada del compresor

Pueden ocurrir daños si el compresor de su sistema se reinicia demasiado pronto después del apagado. Esta función obliga al compresor a esperar unos minutos antes de volver a arrancar. Durante el tiempo de espera, la pantalla mostrará el mensaje **Waiting for Equipment (esperando equipo)** debajo de la lectura de temperatura ambiente.

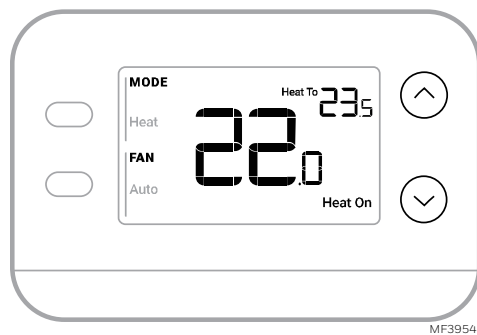
Cuando haya transcurrido el tiempo de espera seguro, el mensaje desaparecerá y el termostato mostrará "Heat on" o "Cool On".



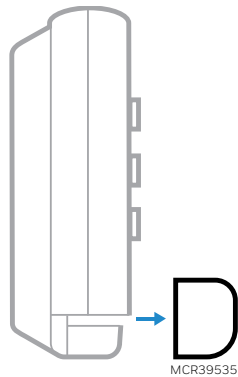
Instalación/reemplazo de la pieza decorativa

Pieza decorativa de marca privada para los modelos FocusPRO N100

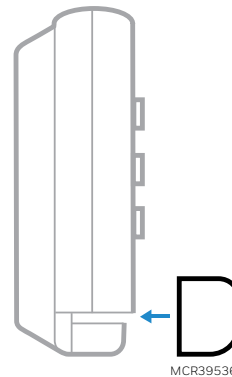
Se pueden solicitar piezas decorativas de repuesto para termostatos N100. Encontrará información sobre el programa de marcas propias en: www.resideo.com/us/en/pro/private-label-program



Ejemplo de piezas decorativas de marca privada que se pueden pedir para los termostatos enumerados anteriormente.



Para reemplazar la pieza decorativa, sepárela del termostato



y luego coloque la nueva.

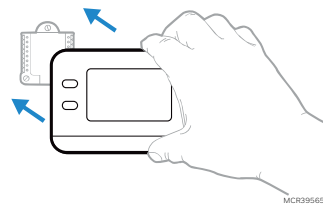
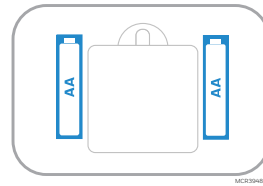
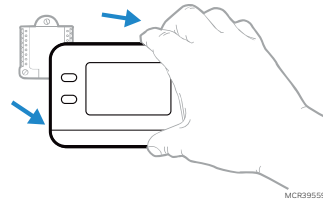
Vea el video en:



Reemplazo de las baterías

La pantalla del termostato le permitirá saber cuando las baterías están bajas y necesitan ser reemplazadas.

- 1 Retire el termostato tirando de él para separarlo de su soporte, tal y como se muestra a continuación.
- 2 Asegúrese de utilizar baterías AA **nuevas** e insértelas como se muestra.
- 3 Después de insertar las baterías nuevas, alinee el termostato con la placa de montaje y empujelo suavemente hasta que encaje en su lugar.



Solución de problemas

<p>La pantalla está en blanco</p>	<ul style="list-style-type: none"> • Compruebe el disyuntor y reajústelo si es necesario • Asegúrese de que el interruptor de encendido del sistema de calefacción y refrigeración esté encendido. • Asegúrese de que la puerta del sistema de calefacción esté bien cerrada. <p>Asegúrese de que las baterías alcalinas AA nuevas estén instaladas correctamente. Ver Reemplazo de las baterías</p>
<p>La calefacción o la refrigeración no funcionan</p>	<ul style="list-style-type: none"> • Cuando funcione la calefacción, la pantalla mostrará HEAT ON (calefacción encendida) en la parte inferior derecha de la pantalla • Cuando esté funcionando en refrigeración, la pantalla mostrará COOL ON (refrigeración encendida) en la parte inferior derecha de la pantalla • Si la pantalla muestra WAITING FOR EQUIPMENT (esperando equipo) debajo de la lectura de temperatura, está en modo de retardo del compresor para proteger el sistema. Espere 5 minutos para determinar si el termostato realiza una llamada de calefacción o refrigeración • Si la pantalla no indica una solicitud de calefacción o refrigeración o WAITING FOR EQUIPMENT (Esperando Equipo), verifique la configuración del modo, el punto de ajuste de temperatura y la temperatura ambiente. <p>Si presiona la flecha hacia arriba o hacia abajo</p> <ul style="list-style-type: none"> • La parte superior izquierda de la pantalla muestra la configuración del modo • La parte superior derecha muestra el punto de ajuste • El centro de la pantalla muestra la temperatura ambiente <p>Si el problema persiste</p> <ul style="list-style-type: none"> • Compruebe el disyuntor y reajústelo si es necesario • Asegúrese de que el interruptor de alimentación del sistema de calefacción y refrigeración está encendido • Asegúrese de que la puerta del sistema de calefacción esté bien cerrada.
<p>La calefacción o la calefacción auxiliar se activan al seleccionar el modo de refrigeración</p>	<ul style="list-style-type: none"> • Verifique que no haya ningún cable conectado a W para los sistemas de bomba de calor. Consulte Diagramas de cableado. • Para aplicaciones de bomba de calor, la válvula de inversión se activa en calefacción en algunas bombas de calor y en refrigeración en otras bombas de calor. Compruebe que el ISU 2060 está ajustado correctamente • Verifique que ningún cable esté en cortocircuito. Busque secciones de cable expuestas en el UWP
<p>La calefacción o la calefacción auxiliar se activan sin seleccionar el modo de calefacción o refrigeración.</p>	<ul style="list-style-type: none"> • Verifique que la pantalla no indique HEAT ON (calefacción activada), COOL ON (refrigeración activada) o AUX HEAT (calefacción auxiliar) • Verifique que no haya un cable conectado a W para los sistemas de bomba de calor. Consulte Diagramas de cableado. • Verifique que ningún cable esté en cortocircuito. Busque secciones de cable expuestas en el UWP
<p>No se puede cambiar el punto de ajuste a la configuración deseada</p>	<ul style="list-style-type: none"> • Verifique el ajuste del modo (Heat (Calefacción), Cool (Refrigeración), Auto (automático), or Em Heat (Calefacción de emergencia) en la parte superior izquierda de la pantalla) <p>Los rangos de ajuste para estos modos son</p> <ul style="list-style-type: none"> ○ Calefacción o Em Heat (Calefacción de Emergencia): 32 °F a 90 °F (0 °C a 32,0 °C) ○ Refrigeración: 50 °F a 99 °F (10,0 °C a 37,0 °C) <p>Si el punto de ajuste se puede cambiar, pero no al rango completo que se muestra arriba, el termostato se puede configurar para un punto de ajuste de calefacción máximo o refrigeración mínimo para restringir configuraciones que son ineficientes desde el punto de vista energético.</p>
<p>WAITING FOR EQUIPMENT (Esperando Equipo) se muestra en la pantalla debajo de la temperatura ambiente</p>	<p>La función de protección del compresor está activada. Espere unos minutos a que el sistema se reinicie de forma segura para evitar dañar el compresor. Consulte Protección integrada del compresor.</p>

Especificaciones

Rangos de temperatura

Calefacción: 32 °F a 90 °F (0 °C a 32,0 °C)

Refrigeración: 10.0 °C a 37.0 °C (50 °F a 99 °F)

Temperatura ambiente de trabajo

32 °F a 120 °F (0 °C a 48.9 °C)

Temperatura ambiente de funcionamiento

32 °F a 102 °F (0 °C a 38.9 °C)

Temperatura de transporte

de -28.9 °C a 48.9 °C (de 20 °F a 120 °F)

Humedad relativa de funcionamiento

5% a 90% (sin condensación)

Dimensiones físicas en milímetros (mm) (alto x ancho x profundidad)

Termostato

5-1/8" de ancho x 3-7/16" de alto x 1-3/16" de profundidad

130 mm de ancho x 87 mm de alto x 29.5 mm de profundidad

Placa de cubierta

6-1/16" de ancho x 4-3/5" de alto

154 mm de ancho x 117 mm de alto

Valores eléctricos

a) Potencia de entrada del dispositivo CA: 1,1 VA, 24 VCA nominal (20-30 VCA), 60 Hz

b) Capacidad de carga - véase más abajo

c) Baterías - Dos baterías alcalinas AA de 1.5 V

Terminal	Voltaje (60 Hz)	Corriente
W Calefacción	24 V c.a.	0.02-1.0 A
W Calefacción	750 mV c.c.	100 mA c.c.
W2 (Aux) Calefacción auxiliar	24 V c.a.	0.02-1.0 A
E Calefacción de emergencia	24 V c.a.	0.02-0.5 A
Y Etapa 1 del compresor	24 V c.a.	0.02-1.0 A
Y2 Etapa 2 del compresor	24 V c.a.	0.02-1.0 A
G Ventilador	24 V c.a.	0.02-0.5 A
O/B Conmutación	24 V c.a.	0.02-0.5 A
L/A Entrada	24 V c.a.	0.02-0.5 A



PRECAUCIÓN: PELIGRO POR DESCARGA ELÉCTRICA

Puede causar descargas eléctricas o daños en el equipo. Desconecte la corriente antes de comenzar la instalación.



PRECAUCIÓN: PELIGRO DE DAÑOS AL EQUIPO

La protección del compresor se puentea durante las pruebas. Para evitar daños en el equipo, evite poner en marcha el compresor rápidamente.



PRECAUCIÓN: AVISO DE MERCURIO

Si este producto reemplaza un control que contiene mercurio en un tubo sellado, no arroje el control antiguo a la basura. Póngase en contacto con la autoridad local de gestión de residuos para obtener instrucciones sobre el reciclaje y la eliminación adecuada.



PRECAUCIÓN: AVISO SOBRE RESIDUOS ELECTRÓNICOS

El producto y las baterías no deben desecharse junto con otros residuos domésticos. Consultar los centros de acopio autorizados o recicladores autorizados más cercanos. La correcta eliminación de los equipos al final de su vida útil ayudará a evitar consecuencias negativas para el medio ambiente y la salud humana.

Declaración FCC disponible en: <https://customer.resideo.com/en-US/support/residential/codes-and-standards/FCC15105/Pages/default.aspx>

Asistencia al cliente

Para obtener ayuda con este producto, por favor visite customer.resideo.com

O llame al servicio de atención al cliente de Resideo al número gratuito **1-800-633-3991**

5 años de garantía limitada

Para obtener información sobre la garantía, visite honeywellhome.com/support

resideo
www.resideo.com

Resideo Technologies Inc.
Scottsdale, AZ 85254

33-00692EFS-01 L.Y. Rev. 12-24

La marca comercial Honeywell Home se utiliza bajo
licencia de Honeywell International, Inc.
Este producto está fabricado por Resideo Technologies,
Inc. y sus filiales.
2024 Resideo Technologies, Inc.



33-00692EFS-01