

IMPORTANT

1. Always include complete heater model and serial number so that any specification change can be considered for parts shipment. It can save time and expense.
2. Specifications are subject to change without notice.
3. We reserve the right to substitute functional replacements.
4. Order by Part No. not Heater Option Designation.

Applies to: **Replacement Parts for
Model EEDU and
Model HEEDU
Duct Furnaces**

INDEX

B Burner 6 Burner Rack 6	I Ignition Controller 7 Installation/Operation Manual 1	S Ductstat Sensor 8 Serial No. 2 Series 2 Side Panel 3 Signal Conditioner 8 Control Switch 8
C Cabinet Parts 3 Capacitor 4 Carryover 6 Certification 2 Coupling Kits 4	J Junction Box 4	T Thermostats 8 Transformer 8 Tube Baffles 5 Tubing, 4
D Date of Manufacture 2 Condensate Drain 3 Ductstat 8	M Model No. 2 Venter Motor 4	V Venter Assembly 4 Venter Motor and Wheel 4 Venter Subassembly 4 Vent Terminal Cap 4
F Fan Control 8 Flue Collection 4 Forms 1	O Burner Orifice 6	W Website 1
H Hanger Kit 3 Heat Exchanger 5 Heat Exchanger Baffle 5 High CFM conversion 5	P Pilots 7 Pressure Switch 4	
	R Rating Plate 2 Relays 4 Replacement Parts Tag 1	



Model EEDU

REFERENCES

Replacement Parts Tag

Each unit has a replacement parts tag that includes the Model No. and the Serial No. as well as a list of original common replacement parts. Always provide the full model and serial numbers when ordering replacement parts.

Replacement Parts/Service Forms

Form P-PILOTS, Replacement Pilots

*Form P-GC, Gas Conversion Components and Instructions

Form P-FAN&LIMIT, Replacement Fan and Limit Controls

*Form P-VALVES, Replacement Valves, Electronic Gas Controls, and Maxitrol Gas Control Systems

Form CP-IGN CNTRL, Ignition Controller Replacement Kits

Form CP-EEDU-PSK - Replacement Pressure Switch Kit

Form CP-RELAY KIT 2635xx - Replacement Relay Kits

Installation/Operation Manual

Installation/Operation Manual, Form I-EEDU

Website (all forms may be downloaded from the website)

www.RezSpec.com

*These items are not listed in this book.

Example of a Rating Plate

The rating plate is located on the cover of the electrical junction box. Find the serial number on the heater rating plate. See page 2 to decode the serial number and model number.

REZNOR	
MERCER, PA. USA 16137	
MADE IN MEXICO	
DUCT FURNACE	
CATEGORY III	
FOR INDUSTRIAL/COMMERCIAL USE ONLY	
ANSI Z83.8 [AA] - [A] CSA 2.6 [AA'] - [A'] DUCT FURNACE	
MODEL [B] [C]	
SERIAL NO. [D]	
[E] VOLTS [E] PH [E] HZ MAXIMUM TOTAL INPUT [E] AMPS	
TYPE OF GAS: [F] [G]	
ORIFICE SIZE [J] DRILL HAS BEEN FACTORY ADJUSTED	
FOR USE AT [H] FEET [I] METERS OF ALTITUDE.	
SEA LEVEL ALT. AD-	
JUSTED	
NORMAL INPUT	[R] [K] BTU/
HR	
OUTPUT CAPACITY	[S] [L] BTU/
HR.	
MINIMUM INPUT(2,M,MV MODELS) [T] [M] BTU/HR.	
NORMAL MANIFOLD PRESSURE	[N] IN.W.C.
MIN. PERMISSIBLE GAS SUPPLY PRESSURE	
FOR PURPOSE OF INPUT ADJUSTMENT.	[O]
IN.W.C.	
MAXIMUM THROUGHPUT [P] C.F.M.	
MINIMUM THROUGHPUT [Q] CFM	
CLEARANCES TO COMBUSTIBLE CONSTRUCTION: TOP- 6", FLUE CONNECTION-6", LEFT SIDE-12", RIGHT SIDE- 12", BOTTOM- 12"	
THIS UNIT MAY BE INSTALLED ON NONCOMBUSTIBLE FLOORS.	
THIS UNIT SHALL BE INSTALLED ON THE POSITIVE PRESSURE SIDE OF THE AIR CIRCULATING BLOWER.	
THIS UNIT MAY BE INSTALLED DOWNSTREAM FROM A REFRIGERATION SYSTEM (USE DRAIN OPTION CS1).	
FOR ALTERNATE INSTALLATIONS USE THE LATEST EDITIONS OF THE APPROPRIATE STANDARD LISTED BELOW:	
FOR AIRCRAFT HANGERS	USE STANDARD ANSI/NFPA 409
FOR PARKING STRUCTURES	USE STANDARD ANSI/NFPA 88A
FOR REPAIR GARAGES	USE STANDARD ANSI/NFPA 88B



Key to Rating Plate

- A** = Standard
- B** = Model and Size
- C** = Date of Manufacturer
- D** = Serial No.
- E** = Volts/PH/Hz/Amps
- F & G** = Natural Gas or Propane
- H & I** = Altitude
- J** = Orifice Drill Size
- K** = Normal Input (altitude adjusted)
- L** = Thermal Output (altitude adjusted)
- M** = Minimum Input (altitude adjusted)
- N** = Normal Manifold Pressure
- O** = Minimum Gas Supply Pressure
- P** = Maximum Air Throughput
- Q** = Minimum Air Throughput
- R** = Normal Input (sea level)
- S** = Thermal Output (sea level)
- T** = Minimum Input (sea level)

Decoding a Serial No.

Sample: E AZJ 66 K8 N 12345 MV3

1 | 2 | 3 | 4 | 5 | 6 | 7

- 1 = Stainless steel heat exchanger (a standard aluminumized heat exchanger has no letter suffix)
- 2 = Date code (see page 3)
- 3 = Ignition code (Reference Form P-VALVES)
- 4 = Valve code (Reference Form P-VALVES)
- 5 = N is natural gas; L is propane
- 6 = Consecutive number
- 7 = Maxitrol system (optional)

Model No. Decoding

Example: EEDU400-6

- Model Designation EEDU
- Size 400
- Series No. -6

The Series No., which changes when the product line is re-certified (see chart on page 3), is important in the selection of certain replacement parts.

Suffixes to the Model No.

- 2 = Two Stage Valve
- H = High Altitude Orifices
- MV = Electronic Modulation
- S = Stainless Steel Heat Exchanger

Introduction and Recertification Dates

NOTE: Manufacture of Model HEEDU is discontinued as of JUN 2011.

Certification	Series (see Model No. Decoding above)	Date
For installation in United States	Introduction (no series No.)	AGE (MAY 1981)
	3	AMI (SEP 1987)
	6	AUK (NOV 1995)
For installation in Canada	Introduction (no series no.)	AGE (MAY 1981)
	3	AMI (SEP 1987)
	5	AQK (NOV 1991)
	6	AUK (NOV 1995)

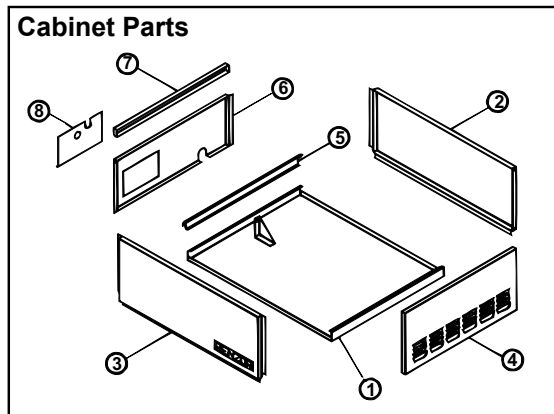
Date of Manufacture—First Element of the Serial Number

Year	Jan	Feb	Mar	Apr	May	June	July	Aug	Sept	Oct	Nov	Dec
1981	AGA	AGB	AGC	AGD	AGE	AGF	AGG	AGH	AGI	AGJ	AGK	AGL
1982	AHA	AHB	AHC	AHD	AHE	AHF	AHG	AHH	AHI	AHJ	AHK	AHL
1983	AIA	AIB	AIC	AID	AIE	AIF	AIG	AIH	AII	AIJ	AIK	AIL
1984	AJA	AJB	AJC	AJD	AJE	AJF	AJG	AJH	AJI	AJJ	AJK	AJL
1985	AKA	AKB	AKC	AKD	AKE	AKF	AKG	AKH	AKI	AKJ	AKK	AKL
1986	ALA	ALB	ALC	ALD	ALE	ALF	ALG	ALH	ALI	ALJ	ALK	ALL
1987	AMA	AMB	AMC	AMD	AME	AMF	AMG	AMH	AMI	AMJ	AMK	AML
1988	ANA	ANB	ANC	AND	ANE	ANF	ANG	ANH	ANI	ANJ	ANK	ANL
1989	AOA	AOB	AOC	AOD	AOE	AOE	AOG	AOH	AOI	AOJ	AOK	AOL
1990	APA	APB	APC	APD	APE	APF	APG	APH	API	APJ	APK	APL

Date of Manufacture—First Element of the Serial Number (Continued)

Year	Jan	Feb	Mar	Apr	May	June	July	Aug	Sept	Oct	Nov	Dec
1991	AQA	AQB	AQC	AQD	AQE	AQF	AQG	AQH	AQI	AQJ	AQK	AQL
1992	ARA	ARB	ARC	ARD	ARE	ARF	ARG	ARH	ARI	ARJ	ARK	ARL
1993	ASA	ASB	ASC	ASD	ASE	ASF	ASG	ASH	ASI	ASJ	ASK	ASL
1994	ATA	ATB	ATC	ATD	ATE	ATF	ATG	ATH	ATI	ATJ	ATK	ATL
1995	AUA	AUB	AUC	AUD	AUE	AUF	AUG	AUH	AUI	AUJ	AUK	AUL
1996	AVA	AVB	AVC	AVD	AVE	AVF	AVG	AVH	AVI	AVJ	AVK	AVL
1997	AWA	AWB	AWC	AWD	AWE	AWF	AWG	AWH	AWI	AWJ	AWK	AWL
1998	AXA	AXB	AXC	AXD	AXE	AXF	AXG	AXH	AXI	AXJ	AXK	AXL
1999	AYA	AYB	AYC	AYD	AYE	AYF	AYG	AYH	AYI	AYJ	AYK	AYL
2000	AZA	AZB	AZC	AZD	AZE	AZF	AZG	AZH	AZI	AZJ	AZK	AZL
2001	BAA	BAB	BAC	BAD	BAE	BAF	BAG	BAH	BAI	BAJ	BAK	BAL
2002	BBA	BBB	BBC	BBD	BBE	BBF	BBG	BBH	BBI	BBJ	BBK	BBL
2003	BCA	BCB	BCC	BCD	BCE	BCF	BCG	BCH	BCI	BCJ	BCK	BCL
2004	BDA	BDB	BDC	BDD	BDE	BDF	BDG	BDH	BDI	BDJ	BDK	BDL
2005	BEA	BEB	BEC	BED	BEE	BEF	BEG	BEH	BEI	BEJ	BEK	BEL
2006	BFA	BFB	BFC	BFD	BFE	BFF	BFG	BFH	BFI	BFJ	BFK	BFL
2007	BGA	BGB	BGC	BGD	BGE	BGF	BGG	BGH	BGI	BGJ	BGK	BGL
2008	BHA	BHB	BHC	BHD	BHE	BHF	BHG	BHH	BHI	BHJ	BHK	BHL
2009	BIA	BIB	BIC	BID	BIE	BIF	BIG	BIH	BII	BIJ	BIK	BIL
2010	BJA	BJB	BJC	BJD	BJE	BJF	BJG	BJH	BJI	BJJ	BJK	BJL
2011	BKA	BKB	BKC	BKD	BKE	BKF	BKG	BKH	BKI	BKJ	BKK	BKL
2012	BLA	BLB	BLC	BLD	BLE	BLF	BLG	BLH	BLI	BLJ	BLK	BLL
2013	BMA	BMB	BMC	BMD	BME	BMF	BMG	BMH	BMI	BMJ	BMK	BML
2014	BNA	BNB	BNC	BND	BNE	BNF	BNG	BNH	BNI	BNJ	BNK	BNL
2015	BOA	BOB	BOC	BOD	BOE	BOF	BOG	BOH	BOI	BOJ	BOK	BOL
2016	BPA	BPB	BPC	BPD	BPE	BPF	BPG	BPH	BPI	BPJ	BPK	BPL
2017	BQA	BQB	BQC	BQD	BQE	BQF	BQG	BQH	BQI	BQJ	BQK	BQL
2018	BRA	BRB	BRC	BRD	BRE	BRF	BRG	BRH	BRI	BRJ	BRK	BRL
2019	BSA	BSB	BSC	BSD	BSE	BSF	BSG	BSH	BSI	BSJ	BSK	BSL
2020	BTA	BTB	BTC	BDT	BTE	BTF	BTG	BTH	BTI	BTJ	BTK	BTL

Cabinet Parts, Hanger Kit, and Condensate Drain



Hanger Kit, PN 57959, Four Threaded Sockets (same as Option CK3)

Free-turning, threaded socket for 1" pipe

Socket Assembly only, PN 9557

Condensate Drain Kit, PN 31765 (same as Option CS1)

Bottom of the Furnace Casing

#10 x 1-1/4 Bolt and Nut

Gasket

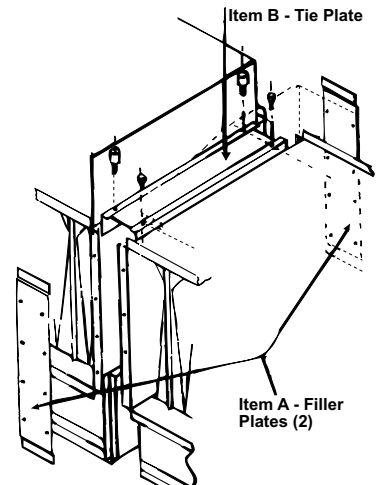
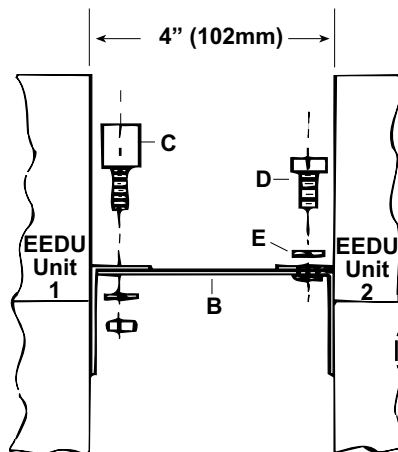
3/4" Pipe Waste Nut

Terminate drain outside of the building.

Code	Description	75	100	125	140	170	200	225	250	300	350	400
1	Bottom Pan	Aluminized Steel	85983	85984	85985	85986	85987	85988	85989	85990	85991	
		Stainless Steel	86050	86051	86052	86053	86054	86055	86056	86057	86058	
2	Left Side Panel Assembly (Size 75 includes insulation)	142099	142080									
3	Right Side Panel Assembly (Size 75 includes insulation)		142100	142081								
4	Bottom Front Panel (Size 75 includes insulation)	64692		55378	55386	55392	55398	55404	55410	55422	55434	55444
5	Bottom Stiffening Channel	55379		55387	55393	55399	55405	55411	55423	55435	55445	
6	Burner Panel	55506		55507	55508	55509	55510	55511	55512	55513	55514	
7	Bottom Rear Channel	N/A	N/A	N/A	N/A	65074	65075	65076	65077	65078	65079	65080
8	Rear Cover Plate (aka Ignition Plate Assembly)	Beginning with Series 6		142053			142054					
9A	Inner Bottom Panel, Size 75 only (false bottom not illustrated)	64694	N/A	N/A	N/A	N/A	N/A	N/A	N/A	N/A	N/A	N/A
9B	Painted Side Panel (not illustrated), same as panels in Option AZ9	99125										

Coupling Kits for 2, 3, 4, or 5 Furnaces

Coupling Kit, PN 57963 (same as Option CR1), for Two Furnaces			
Item	Qty	PN	Description
A	2	57964	Filler Plate
B	1	57965	Tie Plate
C	2	9557	Threaded Socket Assembly
D	2	5095	3/8-16 x 1-1/4" long Hex Head Bolt
E	2	5197	Split Ring Lockwasher
F	20	11813	#10 x 1/2" long Sheetmetal Screw
Additional Kits:	3 Furnaces, PN 82854 (Opt CR2)		
	4 Furnaces, PN 82855 (Opt CR3)		
	5 Furnaces, PN 82856 (Opt CR4)		



Flue Collection and Venter Assembly

Code 18A - Capacitor, PN 163894

Code 21 - Venter Relays

Venter Relay Replacement Kit, PN 263527



(replaces PN 14747)



Venter Relay used after AUG 2011, PN 211411, 24VAC, DPDT, and Socket, PN 211415



Code	Description	75	100	125	140	170	200	225	250	300	350	400	
10	Flue Collection Box Assembly	Beginning with Series 6		140907	140898	140899	140900	140901	140902	140903	140904	140905	140906
11	Venter Support Angle/Duct Support	63178								63179			
12	Orifice Plate	63167	N/A	N/A	N/A	N/A	N/A	N/A	N/A	N/A	N/A	N/A	
13	Exhaust Collar and Pipe Assembly	Prior to Series 6			61051			61054		67880			
		Beginning Series 6			61051			61054	61051	67880		143184	
14	Venter Support Plate	63110			62545		N/A	N/A	N/A		N/A		
15A	Blower Housing (includes housing & collars)	61064			61072		61075			N/A			
15B	Cover Plate	29594								29597			
16	Venter Wheel, 5/16" bore, Torrington	29791, Torrington AA326-215-1								29792, AA408-228-1			
17	Venter Fan Blade RHF	29793								N/A			
18A	Capacitor	N/A	N/A	N/A	N/A	N/A	N/A	N/A	N/A	163894 (replaces 103181)			
18B	Capacitor Boot, Syntex #M-78	N/A	N/A	N/A	N/A	N/A	N/A	N/A	N/A	103182			
19	Venter Junction Box Mounting Bracket	31393								N/A			
20	Venter Junction Box	29595								N/A			
21	Relay	211411 (to replace Relay PN 14747 used before AUG 2011, order Replacement Kit PN 263527)											
22	Venter Junction Box Cover	29596								N/A			
23	Switch Bracket	61070								N/A			
24	Pressure Switch IS20232-5272 (black plastic)	205821 (to replace metal pressure switch used before SEP 2003, order kit PN 177633)											
25	Pressure Switch Tubing, Silicone	147904, 7"								177293, 8-1/4"			
26	Fuse 1.6 Amps (C.G.A. before OCT 1989 only)	61541								N/A			
27	Vent Terminal Cap	110051, 4"				110052, 5"			110053, 6"				
28	Venter Motor	115 volt		61069, Fasco 7121-4861						87434, Fasco 7162-1775			
		208 volt		30249, Fasco 7162-0186 (replaces 62814, 208/230V motor)						30249, Fasco 7162-0186			
		230 volt		29571, Fasco 7162-0158 (replaces 62814, 208/230V motor)						29571, Fasco 7162-0158			
Venter Motor and Wheel		115 volt		63169				63174					
Venter Motor and Wheel Assembly (including Codes 16, 17, 19, 20, 22, 23, & 28)		208 volt		64858				64859					
		230 volt		64858				64863					
Venter Subassembly (complete including codes above plus 15A & 15B)		115 volt		65146			65149		65152				
		208 volt		65396			65397		65398				
		230 volt		65396			65397		65401				

**Code 27 -
Vent Cap**



Heat Exchanger and Components

Beginning with Series 6, "V-shaped" tube baffles (Code 38) fit in between the top of the heat exchanger tubes in Sizes 140-400

**Code 35 -
Limit Control**

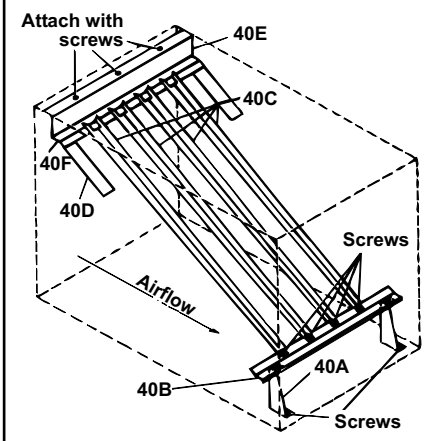
Limit Control (Code 35) on Bracket (Code 34) is accessible from "inside" or "outside" the furnace

Inside Outside

Code	Description	Qty*	75	100	125	140	170	200	225	250	300	350	400
29	Heat Exchanger	Aluminized Steel	065084		065085		065086	065087	065088	065089	065090	065091	065092
		409 Stainless Steel	059136		059140		059143	059146	059149	059152	059155	059158	059161
30	Burner Angle							(2)	55452				
31	Rear Burner Support		54419		45632		45639	45646	45653	45660	45667	45674	45681
32	Hanger Support Angle							(2)	55505				
33	Baffle		54420		46217		46218	46219	46220	46221	46222	46223	46224
34	Limit Control Bracket								63175				
35	Limit Control 36T21		85449, 200°F						45602, 180°F				
36	Side Gasket Strip Craneglas							(2)	62933				
37	Front and Rear Gasket Strip	(2)	62921		62922		62923	62924	62925	62926	62927	62929	62931
38	Tube Baffles	Beginning with Series 6 (none prior to Series 6)				(5)	(6)	(7)	(8)	(8)	(11)	(13)	(15)
40	Heat Exchanger Baffle Assembly	EEDU only	55094		55095		55519	55096	55520	55097	55539	55540	55541
40A	Baffle Support Bracket	EEDU only					55101						
40B	Bottom Baffle Support		(2)	(2)	(2)	(2)	(2)	(2)	(2)	(2)	(4)	(4)	(4)
40C	Finger Baffle						45399						
40D	Side Finger Baffle		(3)	(3)	(4)	(4)	(5)	(6)	(7)	(8)	(10)	(12)	(14)
40E	Rear Top Baffle Support	EEDU & HEEDU					(2)	55128					
40F	Rear Top Baffle		55103		55104		55105	55106	55107	55108	55109	55111	55113
			55116		55117		55118	55119	55120	55121	55122	55124	55126

*Quantity other than one is in parentheses. A quantity at the beginning of the row applies to all sizes.

Code 40 - Heat Exchanger Baffle Assembly



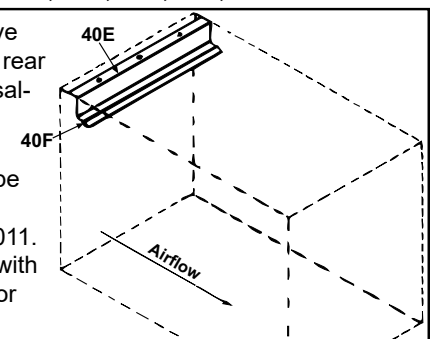
Heat Exchanger Baffle Assembly

All Model EEDU units have a heat exchanger directional air baffle assembly. When replacing a heat exchanger, check to see if the baffle assembly can be salvaged. If the baffle assembly cannot be salvaged, **Code 40** must be ordered separately and be field installed in the replacement heat exchanger. The heat exchanger baffle assembly for a Model EEDU furnace includes **Codes 40A, 40B, 40C, 40D, 40E, & 40F**.

Model HEEDU units designed for high CFM have only a rear top baffle support (**Code 40E**) and a rear top baffle (**Code 40F**). If these parts cannot be salvaged, order and install replacements.

Baffle parts cannot be installed in the replacement heat exchanger at the factory. They must be ordered separately and installed in the field.

NOTE: Model HEEDU was discontinued JUN 2011. High CFM conversion instructions are included with Model EEDU; refer to Form I-EEDU (Version B or later) and contact factory for required label.



Burner Rack and Components

Code	Description			75	100	125	140	170	200	225	250	300	350	400
45	Burner Rack with shutters	Aluminized Steel	Beginning w/ Series 6	150443	150444	150445	150446	150447	150448	150449	150450	150451	150452	150453
		Stainless Steel		150454	150455	150456	150457	150458	150459	150460	150461	150462	150463	150464
46	Manifold (less orifices)			84764		84765		84766	84767	84768	84770	84771	84772	84773
47	Manifold with Natural Gas Orifices (sea level)			80922	80923	47224	47225	47226	47227	47228	47229	47230	47231	47232
	Manifold with Propane Orifices (sea level)			80924	80925	65207	65208	65209	65210	65211	65212	65213	65214	65215
48	Burner only	(Qty)		(4)	(4)	(5)	(5)	(6)	(7)	(8)	(9)	(11)	(13)	(15)
		Aluminized Steel		85218										
		Stainless Steel		87954										
49	Carryover Assembly	Prior to Series 6, qty was 1; beginning with Series 6, qty is 2		63128		63131		63134	63138	N/A	N/A	N/A	N/A	N/A
	Right Carryover Assembly		N/A	N/A	N/A	N/A	N/A	N/A	63141	63148	63152	63148	63152	
	Left Carryover Assembly		N/A	N/A	N/A	N/A	N/A	N/A	63144					
	Center Carryover Assembly		N/A	N/A	N/A	N/A	N/A	N/A	N/A	N/A	N/A	63156		
50	Burner Air Shutter Assembly			55552		46107	46109	46113	46115	46117	46119	46121	46123	46125
51	Burner Air Shutter Guide			165684		165685		165686	165687	165688	165689	165690	165691	165692
52	Burner Orifice	(Qty)		(4)	(4)	(5)	(5)	(6)	(7)	(8)	(9)	(11)	(13)	(15)
	U.S. and Canada	Natural Gas	PN	38678	11792			45870				45871		
		Sea Level	Size	#45	#41	#41	#38	#38	#38	#38	#39	#39	#39	#39
		Propane	PN	63003	61652			61653				9789		
		Sea Level	Size	1.2 mm	1.45 mm	1.45 mm	1.55 mm	1.55 mm	1.55 mm	1.55 mm	1.55 mm	#53	#53	#53
	Canada	Natural Gas	PN	84853	84437			11792						
		2001-4500 ft	Size	#47	#42	#42	#41	#41	#41	#41	#41	#41	#41	#41
		Propane	PN	63922	11834			61652				11834		
		2001-4500 ft	Size	1.15 mm	#54	#54	1.45 mm	1.45 mm	1.45 mm	1.45 mm	1.45 mm	#54	#54	#54
	United States	Natural Gas	PN	16590	84437			45871				87391		
		2001-3000 ft	Size	#46	#42	#42	#39	#39	#39	#39	#40	#40	#40	#40
		Propane	PN	39658	11834			9789				11834		
		2001-3000 ft	Size	#56	#54	#54	#53	#53	#53	#53	#53	#54	#54	#54
		Natural Gas	PN	84853	84437			87391				11792		
		3001-4000 ft	Size	#47	#42	#42	#40	#40	#40	#40	#41	#41	#41	#41
		Propane	PN	63922	11834			9789				11834		
		3001-4000 ft	Size	1.15 mm	#54	#54	#53	#53	#53	#53	#53	#54	#54	#54
		Natural Gas	PN	84853	84437			11792						
		4001-5000 ft	Size	#47	#42	#42	#41	#41	#41	#41	#41	#41	#41	#41
		Propane	PN	63922	11834			61652				11834		
		4001-5000 ft	Size	1.15 mm	#54	#54	1.45 mm	1.45 mm	1.45 mm	1.45 mm	1.45 mm	#54	#54	#54
		Natural Gas	PN	84853	11828			11792				84437		
		5001-6000 ft	Size	#47	#43	#43	#41	#41	#41	#41	#42	#42	#42	#42
		Propane	PN	63922	97360			61652				11834		
		5001-6000 ft	Size	1.15 mm	1.35 mm	1.35 mm	1.45 mm	1.45 mm	1.45 mm	1.45 mm	1.45 mm	#54	#54	#54
	Natural Gas	PN	40414	11828			84437							
	6001-7000 ft	Size	#48	#43	#43	#42	#42	#42	#42	#42	#42	#42	#42	
	Propane	PN	40416	97360			61652				11834			
	6001-7000 ft	Size	#57	1.35 mm	1.35 mm	1.45 mm	1.45 mm	1.45 mm	1.45 mm	1.45 mm	#54	#54	#54	
	Natural Gas	PN	40414	11833			84437				11828			
	7001-8000 ft	Size	#48	#44	#44	#42	#42	#42	#42	#43	#43	#43	#43	
	Propane	PN	40416	11830			11834							
7001-8000 ft	Size	#57	#55	#55	#54	#54	#54	#54	#54	#54	#54	#54		
Natural Gas	PN	39651	11833			11828								
8001-9000 ft	Size	#49	#44	#44	#43	#43	#43	#43	#43	#43	#43	#43		
Propane	PN	40416	11830			11834				11830				
8001-9000 ft	Size	#57	#55	#55	#54	#54	#54	#54	#54	#54	#54	#54		

Code 45 - Burner Rack



Burner Air Shutters

Code 47 - Manifold with Orifices (Code 46 less Orifices)

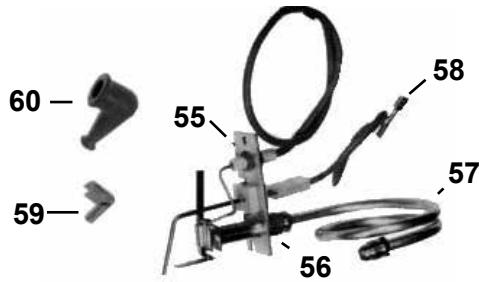


Code 48 - Burner only



Pilots and Ignition Controllers

Horizontal Spark Pilot, Prior to Series 6



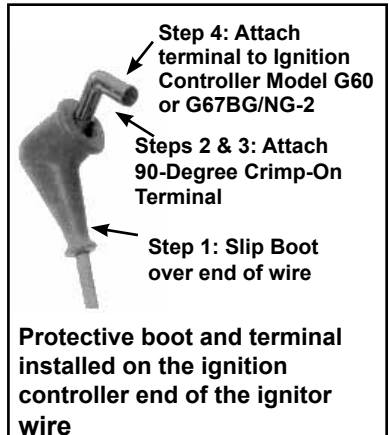
PN 110861: Complete Replacement Pilot Kit for Horizontal, Natural Gas, Spark Pilot

PN 110862: Complete Replacement Pilot Kit for Horizontal, Propane, Spark Pilot

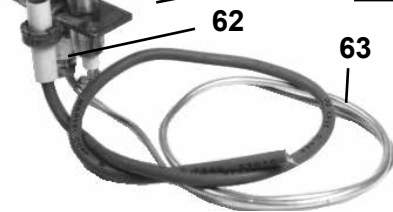
Code	PN	Description	
55	61145	Pilot Assembly, Natural Gas, with orifice, less pilot tubing and less flame sensor lead; Baso #J992HXW7221	
	61146	Pilot Assembly, Propane Gas, with orifice, less pilot tubing and less flame sensor lead; Baso #J992HXW4209	
56	63088	Orifice only, Natural Gas (7221)	
	37801	Orifice only, Propane Gas (4209)	
57	5145	Pilot Tubing, 22" long	
	9664	Nut with breakaway ferrule (2 required when replacing pilot tubing)	
58	50450	Flame Sensor Lead, 16"	
59	112647	Crimp-on 90-DEG Rajah terminal connector	May not be used
60	112648	90-DEG Boot Terminal Protector	(see below)

Instructions for connecting ignitor lead in replacement spark pilots above to Model G60 or G67BG/NG-2 Ignition Controllers (Not applicable to ignition controllers G67BG-5 or G770NGC-4; Items 59 and 60 are not used when installing replacement pilot on heaters with these controllers.):

1. Identify the ignitor wire attached to the pilot electrode. Slip the 90-degree protective boot on to the wire as illustrated.
2. On the "open" leg of the 90-degree crimp-on terminal (PN 112647), locate a flat, triangular spike tab pre-punched in the metal. With the tip of a small, straight screwdriver, force the spike tab toward the inside of the connector. Straighten the tab to a vertical position.
3. Insert the ignitor wire into that same connector leg (just to the 90-degree bend) and push the wire on to the protruding spike tab, making sure that the tab penetrates the insulation. (Do not strip the ignitor wire.) Using a crimping tool or pliers, squeeze the sides of the terminal to form a "C" shape. The ignitor wire should now be firmly held by the terminal.
4. Slide protective boot over the terminal. Holding the boot, attach 90-degree Rajah terminal to the ignitor lead Rajah connector on the Model G60 or G67BG/NG-2 ignition controller.



Vertical Spark Pilot, Beginning with Series 6



PN 110853: Complete Replacement Pilot Kit for Vertical, Natural Gas, Spark Pilot

PN 110854: Complete Replacement Pilot Kit for Vertical, Propane, Spark Pilot

Code	PN	Description
61	97534	Pilot Assembly, Natural Gas, with orifice, pilot tubing and flame sensor lead; Johnson #J982HKW-9731-715
	97535	Pilot Assembly, Propane Gas, with orifice, pilot tubing and flame sensor lead; Johnson #J982HKW-9733-410
62	103034	Orifice only, Natural Gas, Johnson #9731-715 (brass)
	98695	Orifice only, Propane Gas, Johnson #9733-410 (black)
63	98698	Pilot Tubing, Johnson #B10499-995-11, 1/8" OD x 18" L
	97572	Compression Fitting, #FTG75 (2 required)
64	98697	Flame Rod, Johnson #Y75AA-3
65	97575	Flame Sensor Lead, 21" (not illustrated)

PN 97204, Pilot Hole Cover Plate



Beginning with Series 6 Models, be sure to re-attach the pilot hole cover plate when installing a pilot.

Ignition Controllers

Ignition Controller for Intermittent Spark Pilot without Lockout, PN 257009 (Serial No. Code 94)



Ignition Controller for Intermittent Spark Pilot with Lockout, PN 257010 (Serial No. Code 95)





To replace previously used recycling ignition controller without lockout (Serial No. Code 62 or 66), order Replacement Kit, **PN 257472**, and **Bracket, PN 258221**.

To replace previously used recycling ignition controller with lockout (Serial No. Code 63, 65, or 84) order Replacement Kit, **PN 257473**, and **Bracket, PN 258221**.

NOTE: To identify the ignition code in the serial number, see page 2.

Other Components

Thermostats and Accessories			2-Stg Programmable Heat/Cool, Digital 24V, PN 221038 (same as CL33)	Electronic Modulating Room Override for Makeup Air, 60–85°F, 24V, PN 24857 (same as CL9)
1-Stg Heat/Cool 24V 50–90°F, PN 255350 (same as CL1)	2-Stg Heat/Cool 24V, PN 220630 (same as CL22)	1-Stage Programmable Heat/Cool, Digital 24V, PN 220632 (same as CL52)		
Thermostat Guard with locking cover	Fits CL1, CL22, CL52, CL9	257464 (same as Option CM1)		
	Fits CL33	257463 (same as Option CM1B)		

Fan Control and Gasket Kit, PN 57960 (same as Option CQ1)

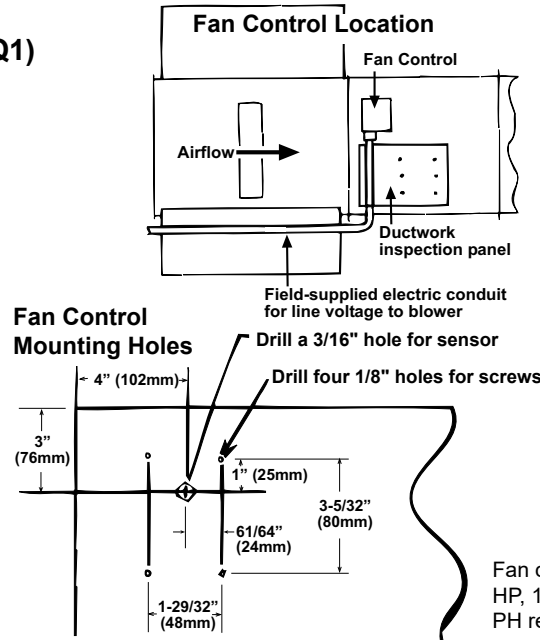
Components:

Fan Control, Honeywell Model L4064A1347, **PN 147611**
Gasket, #1621, **PN 57962**

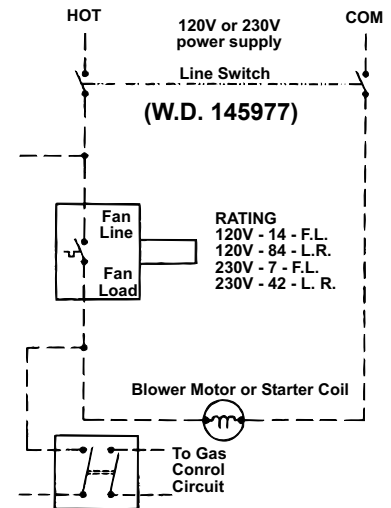


Recommended dial setting for most conditions is 130°F ON and 100°F OFF.

May be used as a functional replacement for Columbus Electric fan control used on EEDU Series *before* JUN 1996.



Fan Control Wiring



Fan control is rated for maximum motor size 3/4 HP, 1PH @ 115 or 230 VAC. Larger motors or 3 PH require use of contactor or starter.

DPST Control Switch, PN 101902



(used in Gas Control Options AG3, AG8, AG9, AG15 & AG16)

Two-Stage Ductstat, PN 41700, Honeywell (used in Option AG3)

*Bulb Holder, **PN 100260**
Cable Strap, **PN 16227**

*If PN 41700 is Essex brand, the bulb holder is PN 104156.

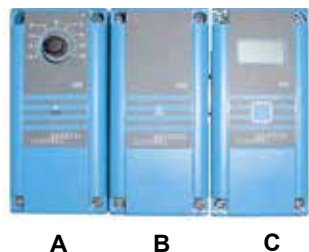


Control Transformer



PN 103355, 115/24/40VA, Basler #BE141650-WAA (replaces PN 60368);
PN 103497, 208/230/24/ 40VA, Basler #BE21539001 (replaces PN 60369);
PN 103498, 460/24/40VA, Basler #BE23975001 (replaces PN 60370)

Maxitrol Signal Conditioner (used in Gas Control Option AG21), PN 134170



Two-Stage Electronic Ductstat Modules (used in Options AG15 and AG16)

A = Temperature Selector, **PN 115848**, J/C A350A-1C
B = Stage Adder Module, **PN 115849**, J/C S350AA-1C
C = Display Module, **PN 115852**, J/C D350AA-1C

Ductstat Sensor Holder, PN 115850

Ductstat Sensor, **PN 115851**



www.ReznorHVAC.com; 800-695-1901

©2018 Reznor LLC, All rights reserved.

Trademark Notes: Reznor® is registered in at least the United States. All other trademarks are the property of their respective owners.

Form P-EEDU (06-18) PN263547R4

REZNOR®

Form P-EEDU (06-18) PN263547R4, Page 8